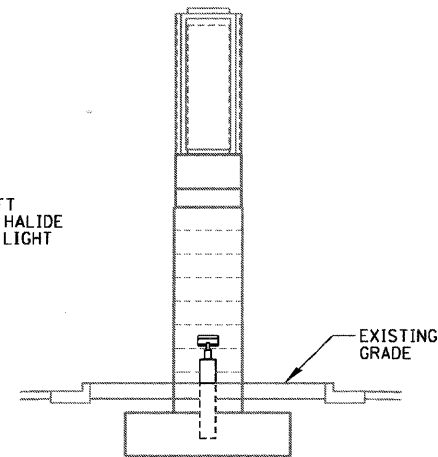
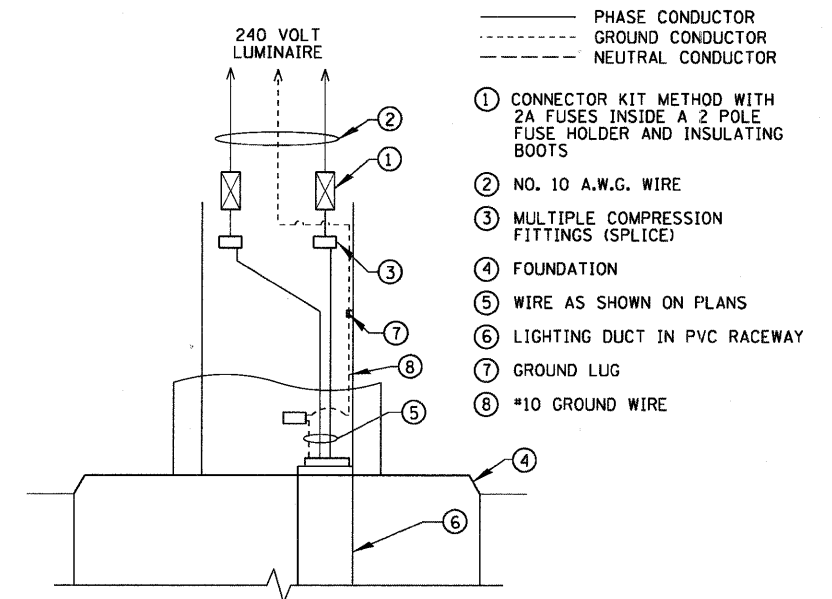


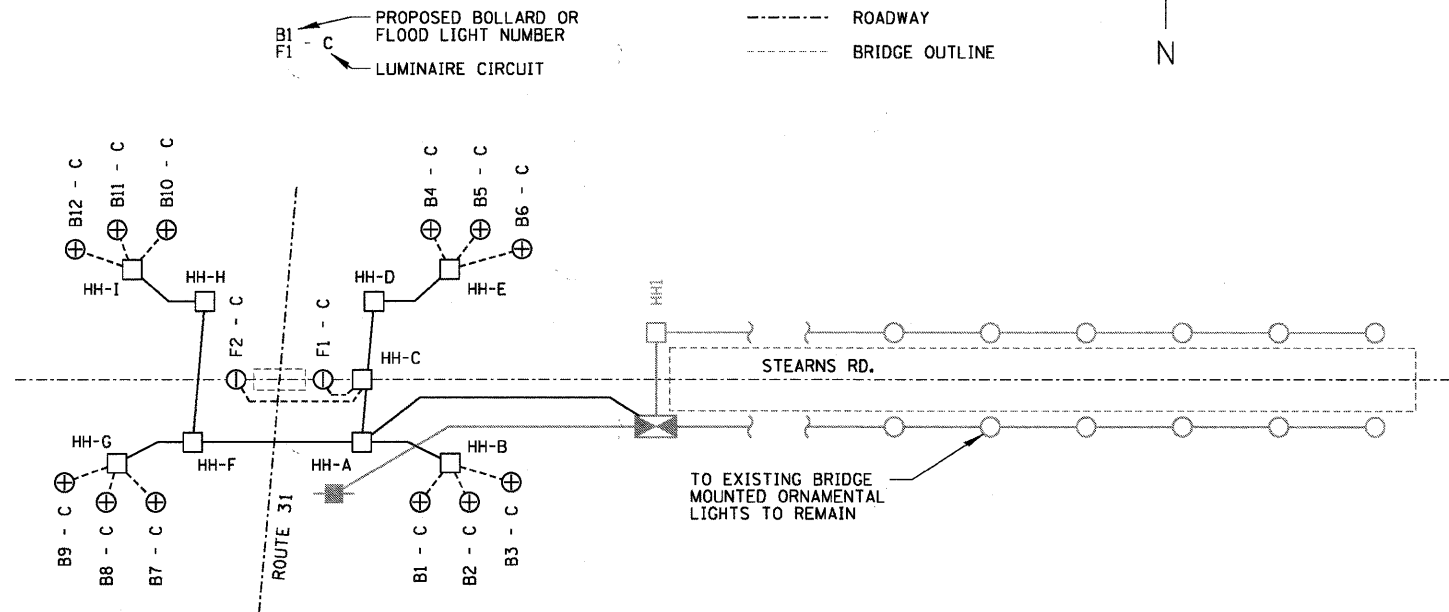
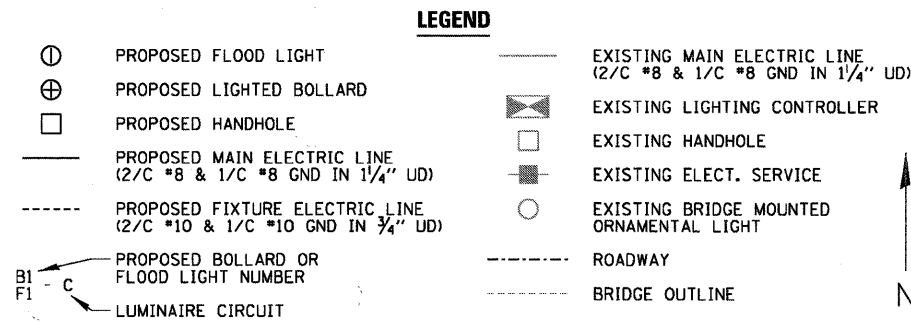
**SECTION A-A**  
N.T.S.



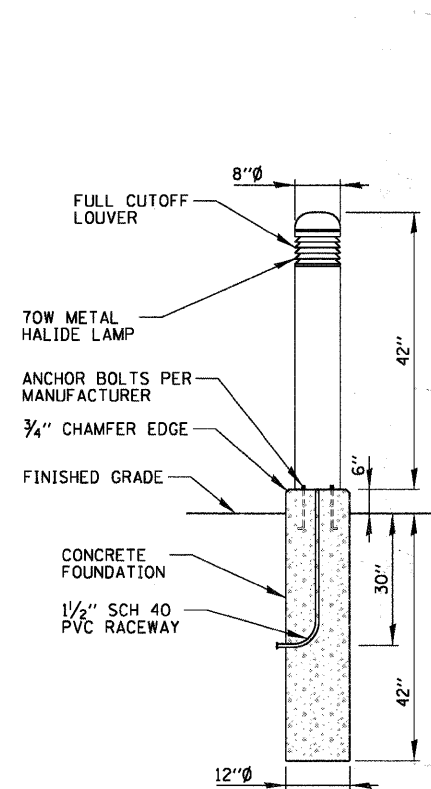
**SECTION B-B**  
N.T.S.



**FIXTURE WIRING DIAGRAM**  
N.T.S.

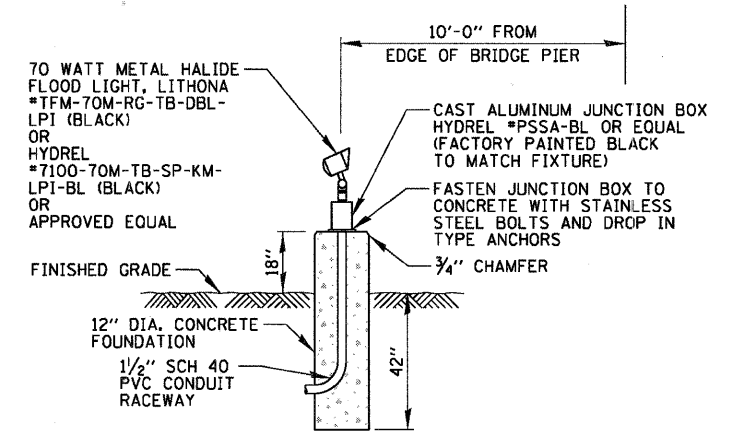


**LIGHTING ONE LINE CIRCUIT DIAGRAM**  
N.T.S.



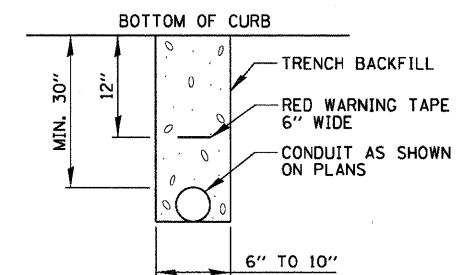
NOTES:  
1. LITHONIA LIGHTING BOLLARD MODEL NO. KBAB-70M-R5-LV-TB-LBI-DBL (BLACK) OR APPROVED EQUAL.  
OR  
HYDREL LIGHTING BOLLARD MODEL NO. 3110-42-70M-MVOLT-SYM-GE-B-LPIC-BL (BLACK) OR APPROVED EQUAL.

**LIGHTED BOLLARD DETAIL**  
N.T.S.



NOTES:  
1. SEAL JUNCTION BOX AND CONDUIT ENTRIES WATERTIGHT.

**BRIDGE PIER FLOOD LIGHT**  
N.T.S.



**TRENCH SECTION**

**ELECTRIC CONDUIT DETAIL**  
N.T.S.

FILE NAME = P:\CBBEL WEST Projects\2008\09-4032\CADD\G.v1\Drawn\Sheet\ELECT-4.dgn

**WBK** WILLS BURKE KELSEY ASSOCIATES LTD.  
116 West Main Street, Suite 201  
St. Charles, Illinois 60174  
(630) 443-7755

USER NAME = #USER#	DESIGNED - KWB	REVISED -
PLOT SCALE =	DRAWN - A.J.D.	REVISED -
PLOT DATE = 12/17/2010	CHECKED -	REVISED -
	DATE - 12/17/10	REVISED -

STATE OF ILLINOIS  
DEPARTMENT OF TRANSPORTATION

STEARNS ROAD /RTE 31 BRIDGE  
LIGHTING DETAILS (2 OF 2)

SCALE: SHEET NO. 78 OF 80 SHEETS STA. TO STA.

F.A.P. RTE.	SECTION	COUNTY	TOTAL SHEETS	SHEET NO.
361	09-00214-02-LS	KANE/DUPAGE	80	78
CONTRACT NO. 63542				
FED. ROAD DIST. NO. 1 ILLINOIS FED. AID PROJECT				