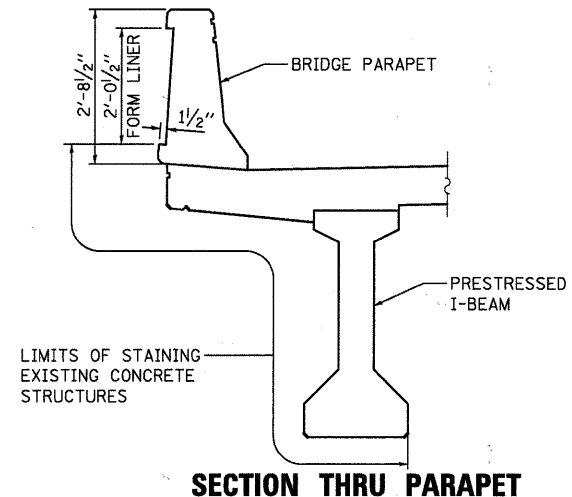
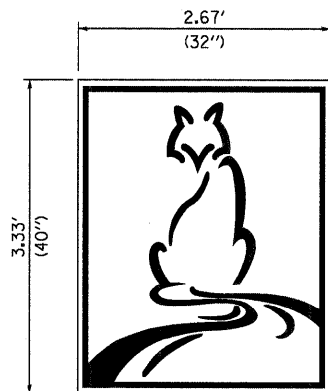


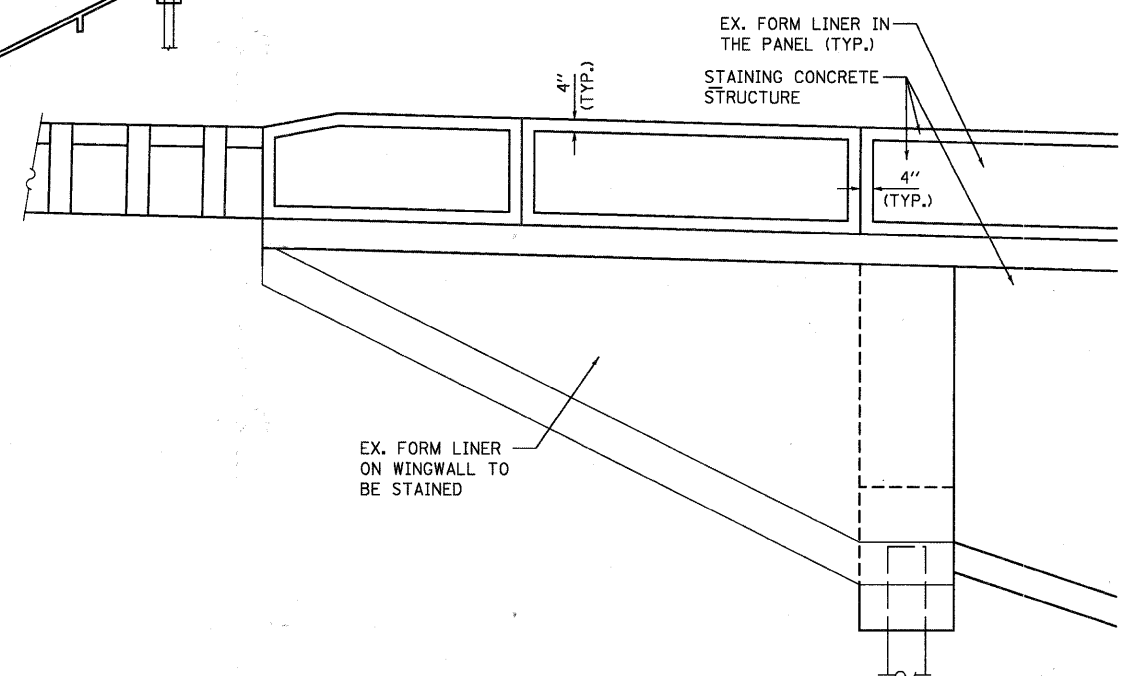
ARCHITECTURAL ELEVATION



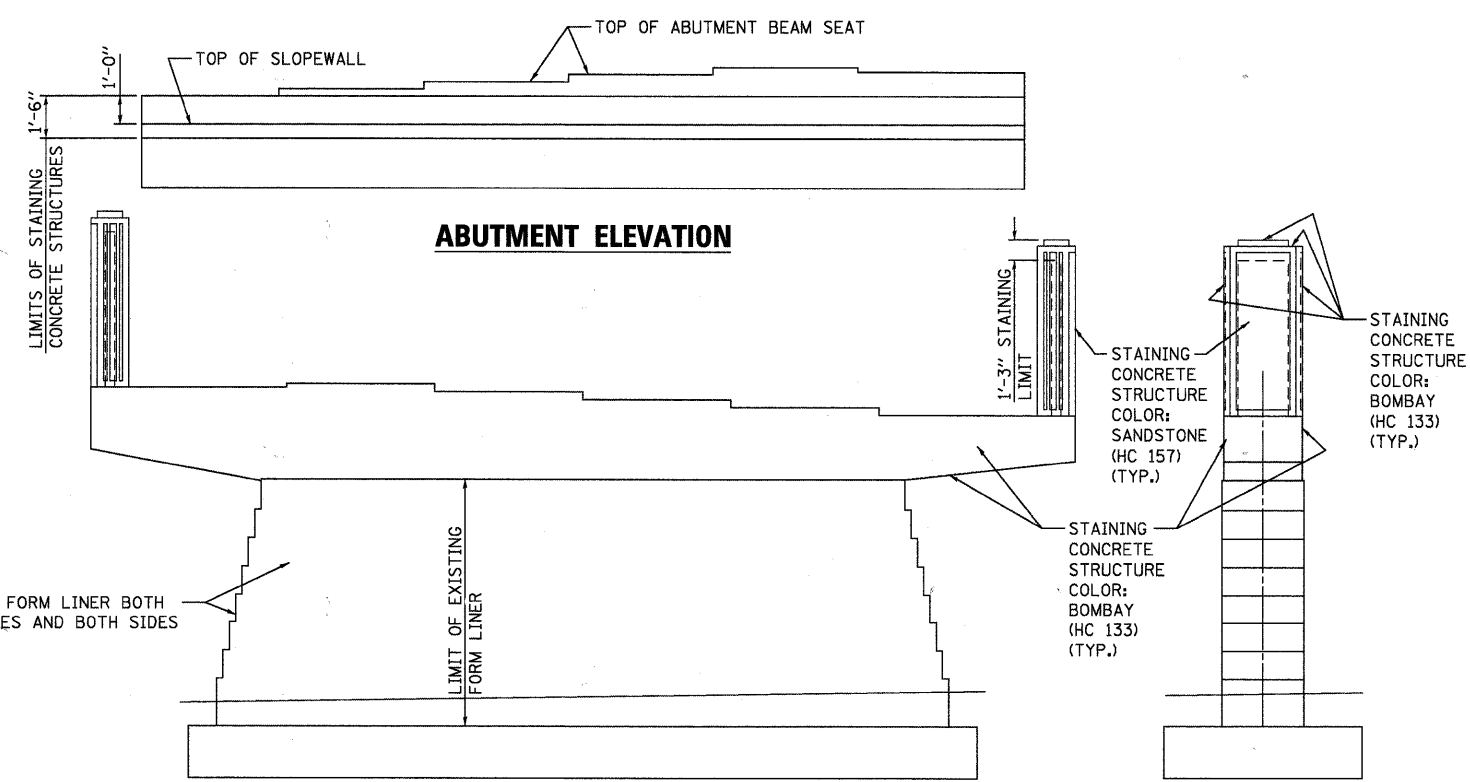
SECTION THRU PARAPET



FOX VALLEY LOGO PLAQUE DETAIL
TO BE PAID FOR AS "NAME PLATES (SPECIAL 2)" LOCATED ON EAST PIER ONLY

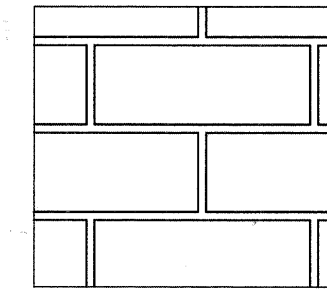


WINGWALL ELEVATION DETAIL



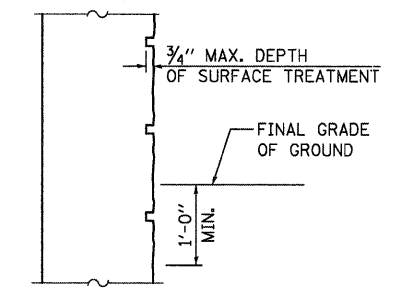
ABUTMENT ELEVATION

PIER ELEVATION



CHISELED LIMESTONE TYPICAL SECTION

(SCOTTSYSTEM - CHISELED LIMESTONE WITH JOINTS #166D)
MAXIMUM RELIEF = 3/4"
STONE SIZE = 8" TO 32", 9" HIGH
CONCRETE STAIN COLOR: SHERWIN-WILLIAMS H&C CONCRETE STAIN WATER BASED
BASE: BOMBAY (HC 133) MEDIUM: SANDSTONE (HC 157)
SHADOW: AUTUMN BROWN (HC 101) GROUT LINES: MUDDY GRAY (HC 172)



EXISTING FORMLINER DETAIL

THE CONTRACTOR SHALL SUBMIT TEST SAMPLES OF STAIN COLORS FOR ACCEPTANCE TO THE COUNTY BEFORE ORDERING MATERIALS. PANEL TO BE TESTED IS STORED AT THE KANE COUNTY DIVISION OF TRANSPORTATION, SEAVEY ROAD FACILITY. PROVIDE THE 2 FOOT BY 2 FOOT CONCRETE TEST PANEL AND SELECTED STAIN COLORS TO THE COUNTY FOR FINAL SELECTION OF STAIN COLORS.

BILL OF MATERIAL

DESCRIPTION	UNIT	QUANT.
FORM LINER COLORATION (SPECIAL)	SQ FT	7200

NOTES:
1. SEE SPECIAL PROVISIONS FOR FINISH AND RE-STAINING CONCRETE STRUCTURES

FILE NAME = P:\CBBEL WEST Projects\2009\09-0222\CADD\G.v.l.\Dgn\Sh+BRIDGE_AESTHETIC.dgn

EAST PIER END VIEW

WEST PIER END VIEW

WBK WILLS BURKE KELSEY ASSOCIATES LTD.
116 West Main Street, Suite 201
St. Charles, Illinois 60174
(830) 443-7755

USER NAME = #USER#	DESIGNED -	REVISED -
PLOT SCALE = N.T.S.	DRAWN -	REVISED -
PLOT DATE = 12/17/2010	CHECKED -	REVISED -
	DATE = 12/17/10	REVISED -

STATE OF ILLINOIS
DEPARTMENT OF TRANSPORTATION

BRIDGE AESTHETIC TREATMENTS AND DETAILS	
SCALE: N.T.S.	SHEET NO. 80 OF 80 SHEETS STA. TO STA.

F.A.P. RTE.	SECTION	COUNTY	TOTAL SHEETS	SHEET NO.
361	09-00214-02-LS	KANE/DUPAGE	80	80
CONTRACT NO. 63542				
FED. ROAD DIST. NO. 1 ILLINOIS FED. AID PROJECT				