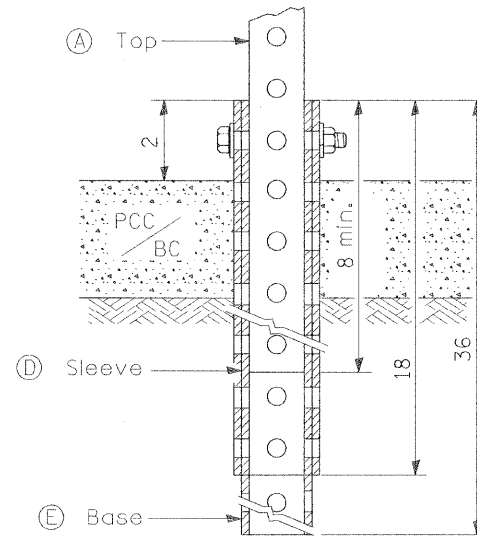
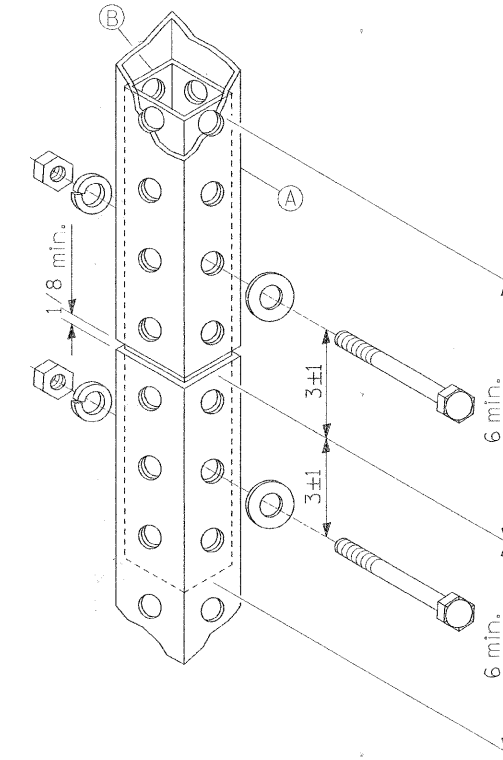


GROUND MOUNT DETAIL



PAVEMENT MOUNT DETAIL



SPLICE DETAIL

|     |                     |
|-----|---------------------|
| (A) | 1 3/4 x 1 3/4 x VAR |
| (B) | 1 1/2 x 1 1/2 x 12  |
| (C) | 2 x 2 x 36          |
| (D) | 2 1/4 x 2 1/4 x 18  |
| (E) | 2 x 2 x 36          |

GENERAL NOTES

TOP SECTION (A) SHALL BE 14 GA POWDER COATED GREEN

BASE SECTION (C) SHALL BE 12 GA GALVANIZED

All bolts 3/8" hex head zinc or cadmium plated.

All dimensions are in inches unless otherwise shown.

TELESCOPING STEEL SIGN SUPPORT(SPECIAL)

|             |                 |                        |   |  |                           |   |           |                |              |           |    |
|-------------|-----------------|------------------------|---|--|---------------------------|---|-----------|----------------|--------------|-----------|----|
| FILE NAME = | DESIGNED - EM   | REVISED - 12/02/10, EM | <b>STATE OF ILLINOIS<br/>DEPARTMENT OF TRANSPORTATION</b> | <b>OAK PARK BIKE FACILITIES<br/>TEL STEEL SIGN SUPPORT SPL</b> |                           | F.A.U. RTE.                                     | SECTION   | COUNTY         | TOTAL SHEETS | SHEET NO. |    |
| #FILES*     | DRAWN - EM      | REVISED -              |   | SCALE: NTS   | SHEET NO. 30 OF 34 SHEETS | STA.  | 1394/1398 | 10-00250-00-BT | COOK         | 33        | 30 |
|             | CHECKED - WM    | REVISED -              |   |  |                           |   |           |                |              |           |    |
|             | DATE - 10/29/10 | REVISED -              |   |  |                           |   |           |                |              |           |    |
|             |                 |                        |   |  |                           | CONTRACT NO. 63550<br>ILLINOIS FED. AID PROJECT |           |                |              |           |    |