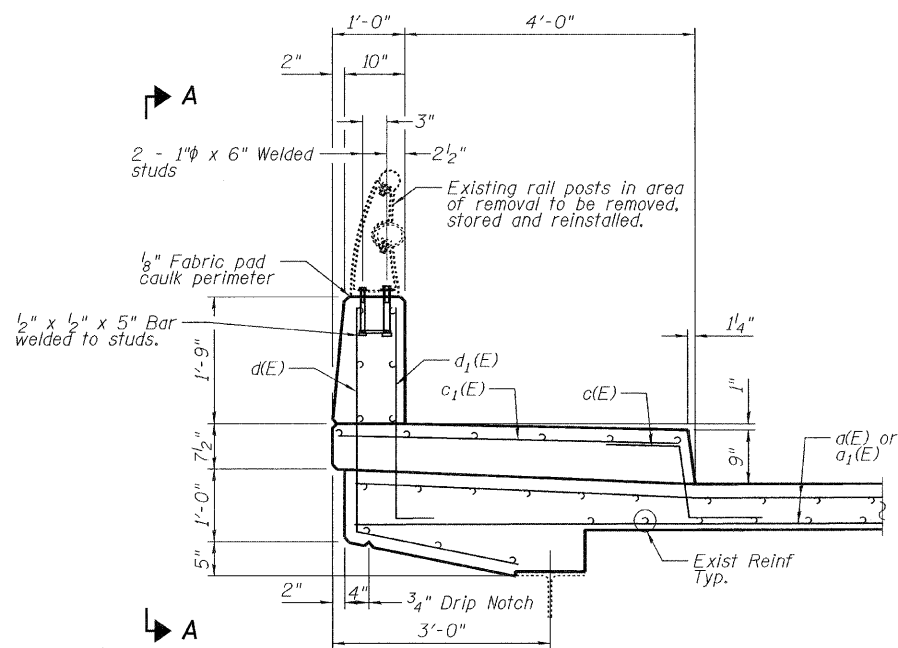
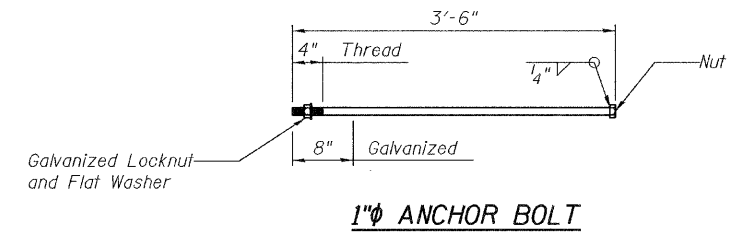
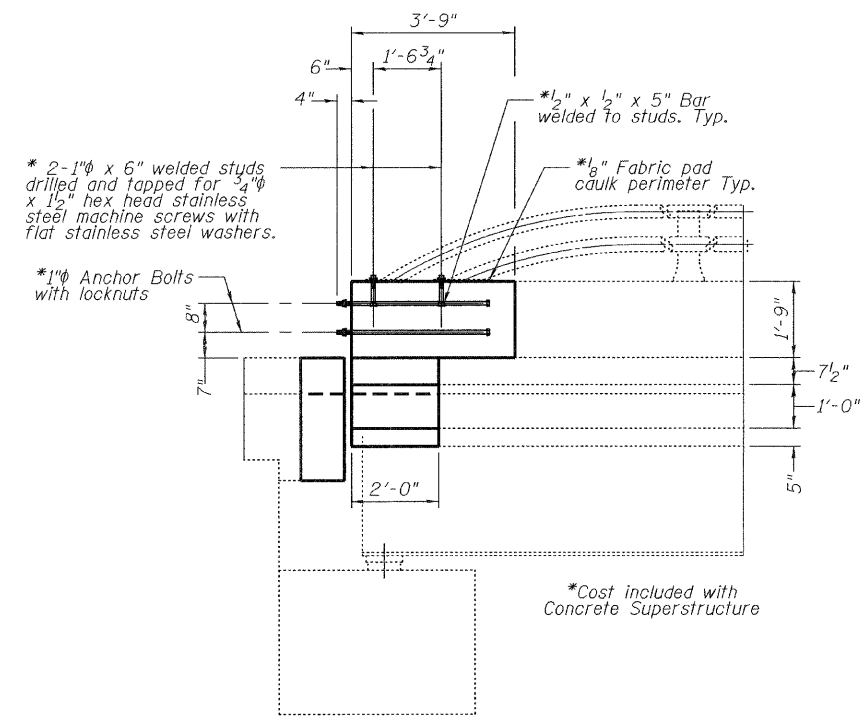


DECK CROSS SECTION NEAR ABUTMENT
(Looking South)



PARAPET AND SIDEWALK SECTION



VIEW A-A

DESIGNED - G.G.E.	EXAMINED - <i>Joan F. J...</i>
CHECKED - I.J.L.	PASSED - <i>Carl...</i>
DRAWN - Drew Christopher	
CHECKED - G.G.E. I.J.L.	

DATE - January 11, 2010
ACTING ENGINEER OF STRUCTURAL SERVICES
ACTING ENGINEER OF BRIDGES AND STRUCTURES

STATE OF ILLINOIS
DEPARTMENT OF TRANSPORTATION

PIER 6 JOINT DETAILS
SN 081-0047

SHEET NO. 4 OF 11 SHEETS

F.A.U. RTE. 5834	SECTION (115 BR)M	COUNTY Rock Island	TOTAL SHEETS 22	SHEET NO. 15
CONTRACT NO. 64G70				
ILLINOIS FED. AID PROJECT				

SLT-92-001-10