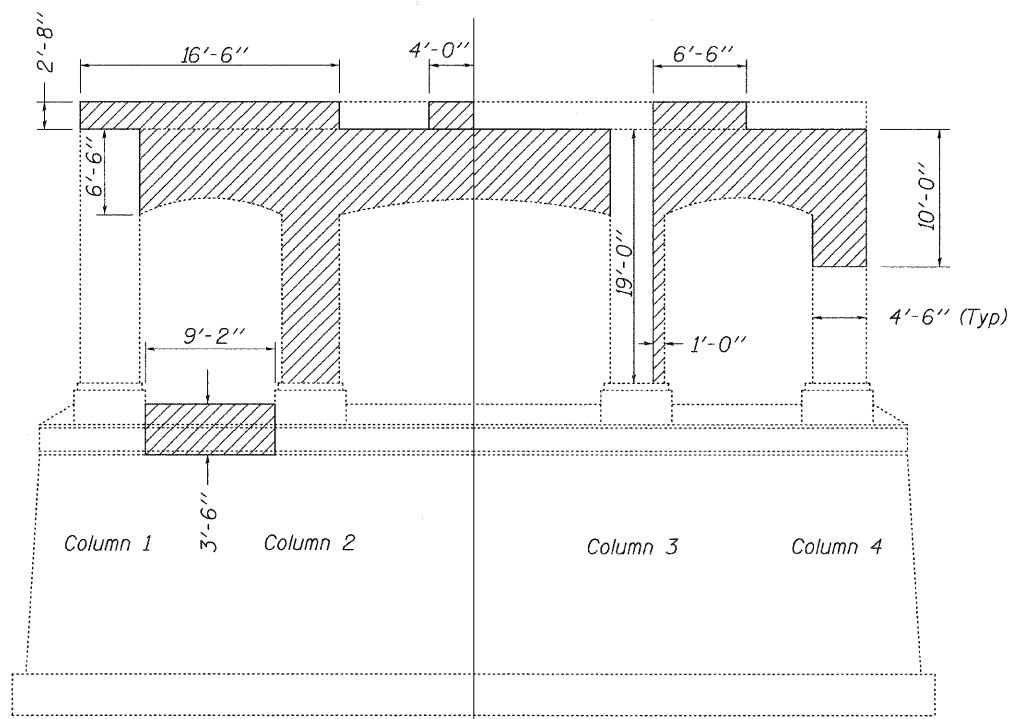
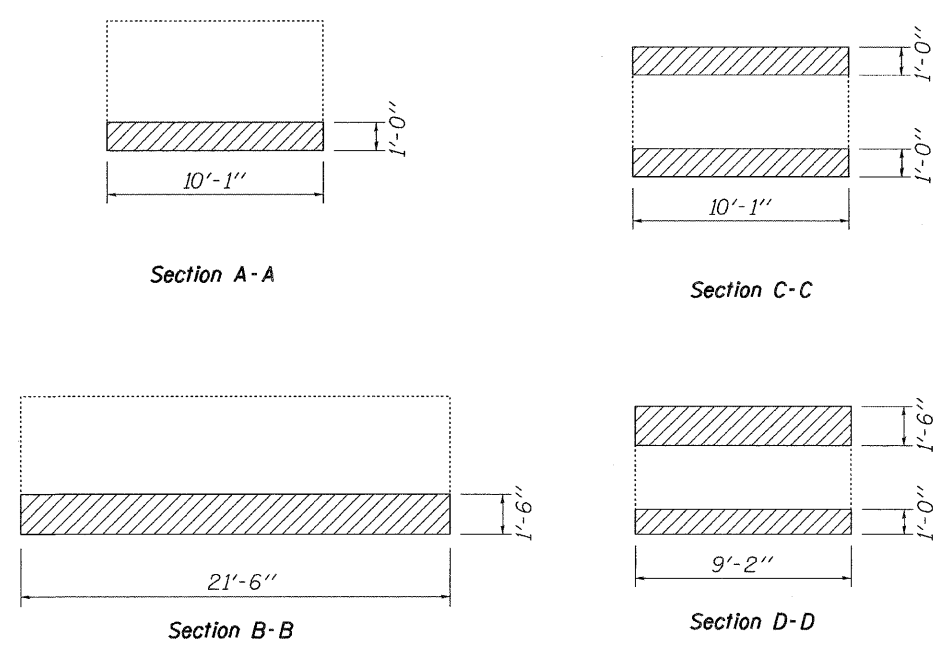
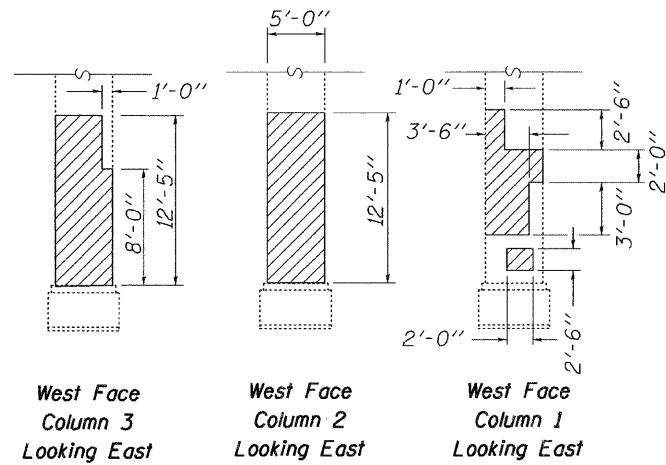
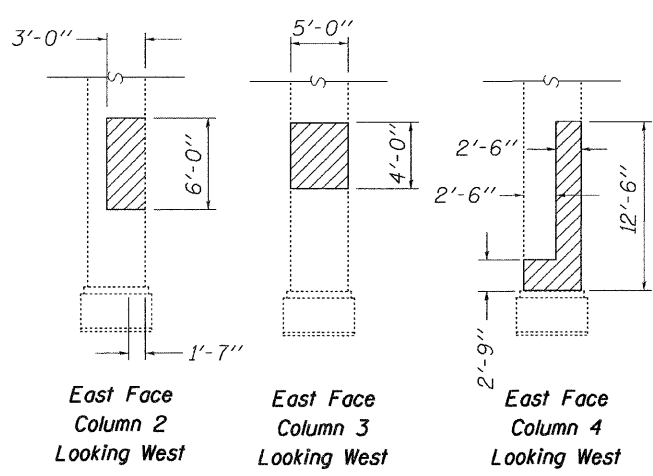


Pier 6
(Looking North)



Pier 6
(Looking South)

	Unit	Pier 3	Pier 6	Total
STRUCTURAL REPAIR OF CONCRETE (DEPTH EQUAL TO OR LESS THAN 5 IN.)	Sq. Ft.	601	965	1566



Structural Repair of Concrete

PIER 6 REPAIR PLAN

DESIGNED - G.G.E.	EXAMINED - <i>James F. J...</i>	DATE - January 11, 2011
CHECKED - I.J.L.	PASSED - <i>Carl...</i>	
DRAWN - Drew Christopher		
CHECKED - G.G.E., I.J.L.		

STATE OF ILLINOIS
DEPARTMENT OF TRANSPORTATION

PIER 6 REPAIR PLAN
SN 081-0047

SHEET NO. 9 OF 11 SHEETS

F.A.U. RTE.	SECTION	COUNTY	TOTAL SHEETS	SHEET NO.
5834	(115BR)M	Rock Island	22	20

CONTRACT NO. 64G70
ILLINOIS FED. AID PROJECT