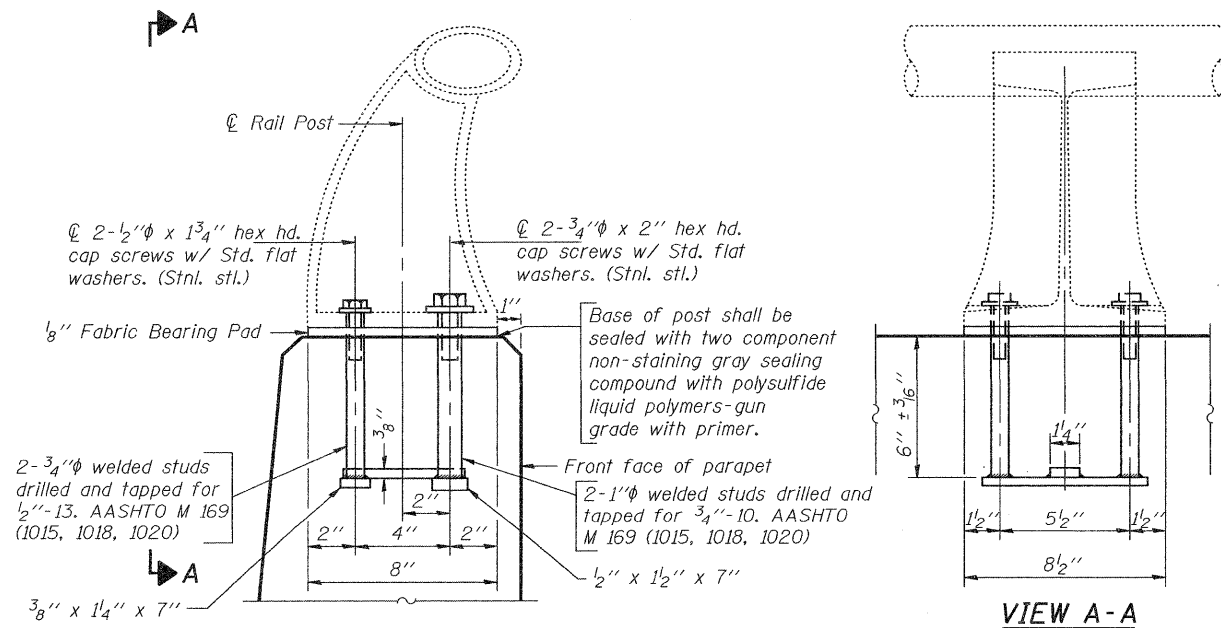


CROSS-SECTION AND STAGE CONSTRUCTION DETAILS

(Looking North)

* Attach to existing reinforcement with mechanical splicers. Existing reinforcement to extend 6" into the removal area to allow attachment of the mechanical splicers.

Note:
In lieu of the cast-in-place anchor device shown, the Contractor has the option of drilling and setting stainless steel anchor rods of the same diameter and grade as the specified cap screws according to Article 509.06 of the Standard Specifications. Embedment shall be according to the manufacturer's specifications.



RAIL POST ANCHOR DETAIL

DESIGNED GGE	EXAMINED <i>James F. J...</i>	DATE JANUARY 13, 2011
CHECKED ADY	ACTING ENGINEER OF STRUCTURAL SERVICES	
DRAWN Kyle M. Steffen	PASSED <i>Carl...</i>	
CHECKED GGE ADY	ACTING ENGINEER OF BRIDGES AND STRUCTURES	

STATE OF ILLINOIS
DEPARTMENT OF TRANSPORTATION

CROSS-SECTION & STAGE CONSTRUCTION DETAILS
SN 043-0035

SHEET NO. 2 OF 10 SHEETS

F.A.P. RTE.	SECTION	COUNTY	TOTAL SHEETS	SHEET NO.
301	(298-1M-1)	JoDAVIESS	17	9
CONTRACT NO. 64G81			ILLINOIS FED. AID PROJECT	