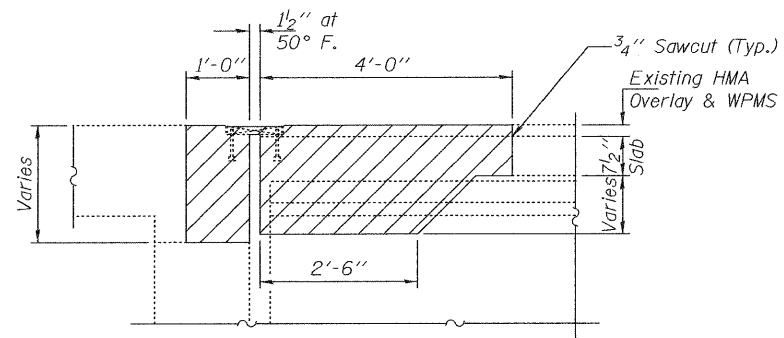


SECTION A-A
Horiz. Dim. at Rt. L's

REMOVAL PLAN AT S. ABUT.

REMOVAL PLAN AT N. ABUT.



DESIGNED GGE	EXAMINED <i>Joanna F. [Signature]</i>	DATE JANUARY 13, 2011
CHECKED ADY	ACTING ENGINEER OF STRUCTURAL SERVICES	
DRAWN Kyle M. Steffen	PASSED <i>Carl [Signature]</i>	
CHECKED GGE ADY	ACTING ENGINEER OF BRIDGES AND STRUCTURES	

**STATE OF ILLINOIS
DEPARTMENT OF TRANSPORTATION**

**CONCRETE REMOVAL DETAILS AT ABUTMENTS
SN 043-0035**

SHEET NO. 3 OF 10 SHEETS

F.A.P. RTE.	SECTION	COUNTY	TOTAL SHEETS	SHEET NO.
301	(29B-1M-1)	JoDAVISS	17	10
CONTRACT NO. 64G81			ILLINOIS FED. AID PROJECT	