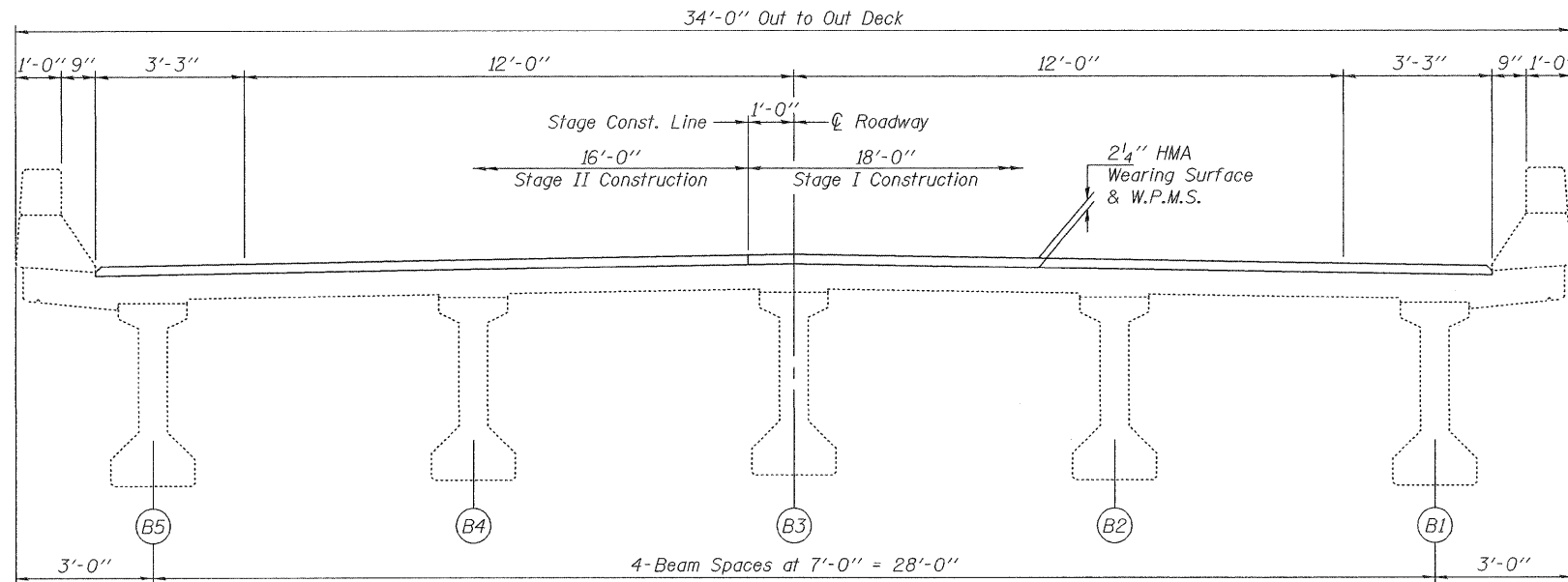
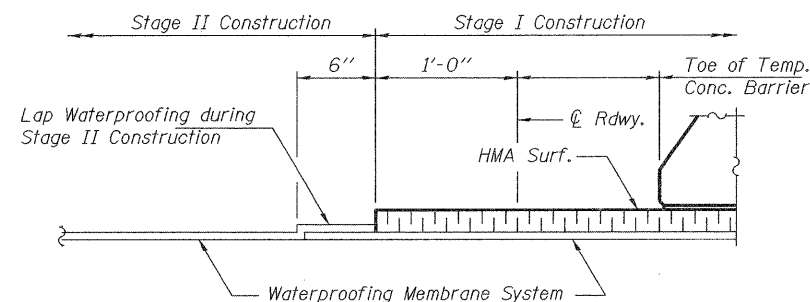


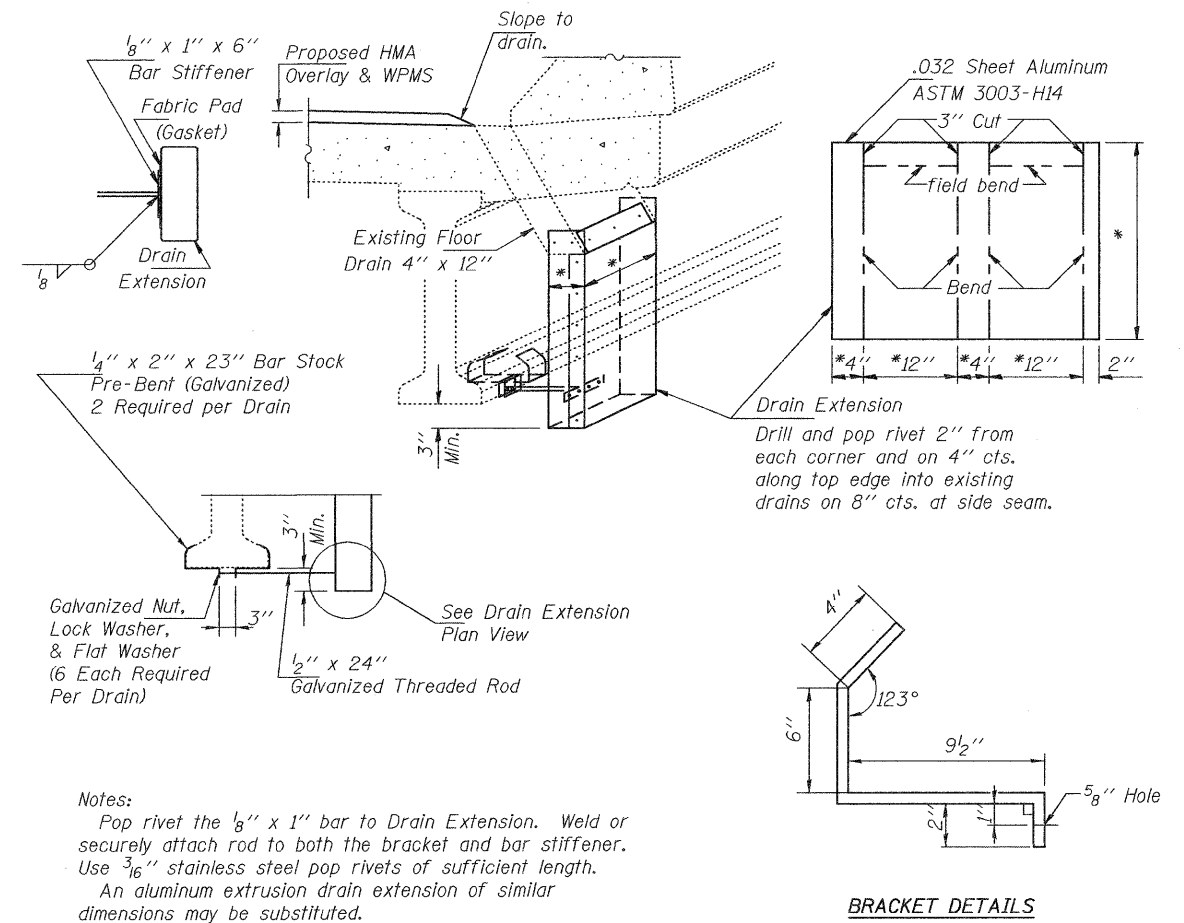
CROSS-SECTION SHOWING H.M.A. REMOVAL
(Looking North)



CROSS-SECTION SHOWING NEW WEARING SURFACE
(Looking North)



WATERPROOFING TREATMENT AT STAGE CONSTRUCTION

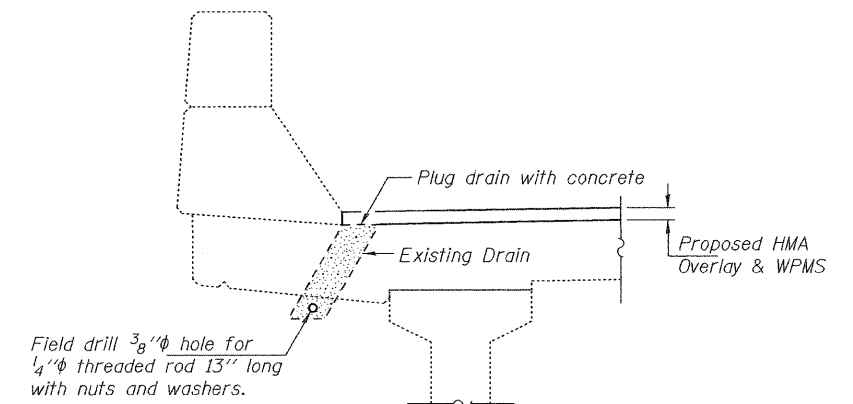


Notes:

Pop rivet the 1/8" x 1" bar to Drain Extension. Weld or securely attach rod to both the bracket and bar stiffener. Use 3/16" stainless steel pop rivets of sufficient length. An aluminum extrusion drain extension of similar dimensions may be substituted.

DRAIN EXTENSION DETAILS

* Field measure cut to fit existing drain.



DRAIN ELIMINATION DETAIL

DESIGNED	GGE
CHECKED	ADY
DRAWN	Kyle M. Steffen
CHECKED	GGE ADY

EXAMINED	<i>Jayne F. [Signature]</i>	DATE	JANUARY 13, 2011
PASSED	<i>Carl [Signature]</i>		

**STATE OF ILLINOIS
DEPARTMENT OF TRANSPORTATION**

**WEARING SURFACE REMOVAL & REPLACEMENT AND
DRAIN EXTENSION & ELIMINATION DETAILS SN 043-0035**

F.A.P. RTE.	SECTION	COUNTY	TOTAL SHEETS	SHEET NO.
301	(29B-1M-1)	JoDAVIESS	17	13
CONTRACT NO. 64G81			ILLINOIS FED. AID PROJECT	