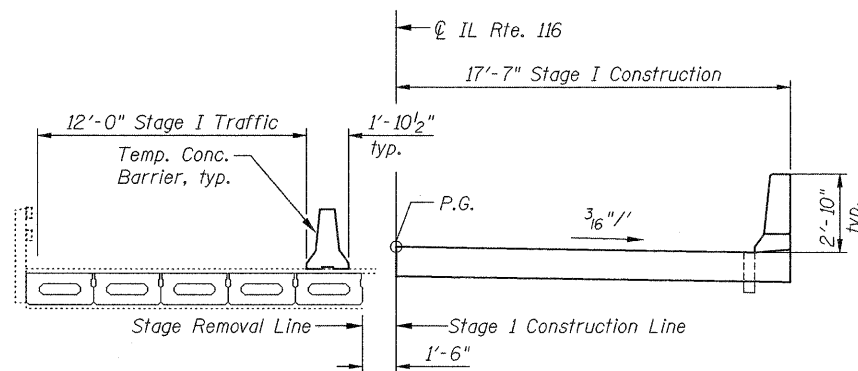
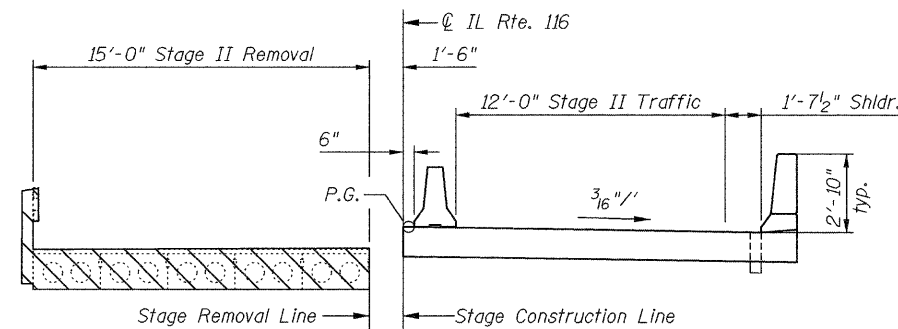


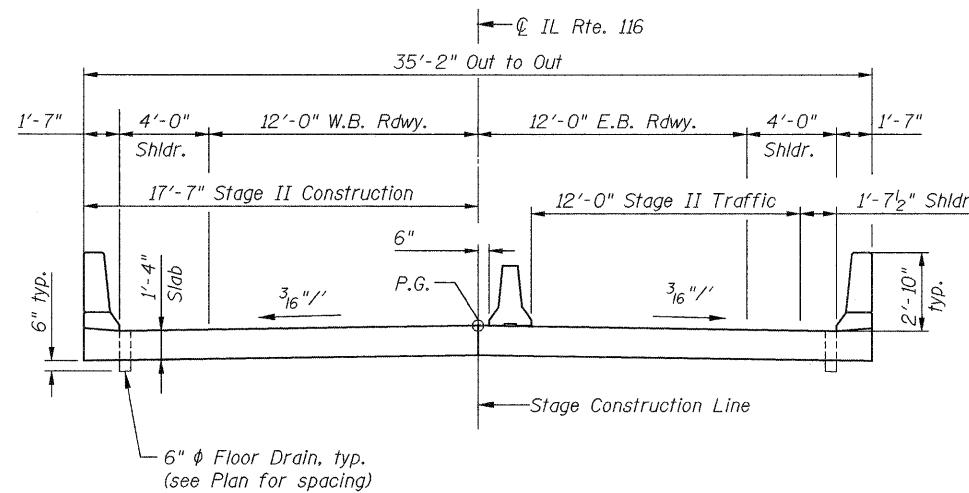
STAGE I REMOVAL
(Looking Upstation)



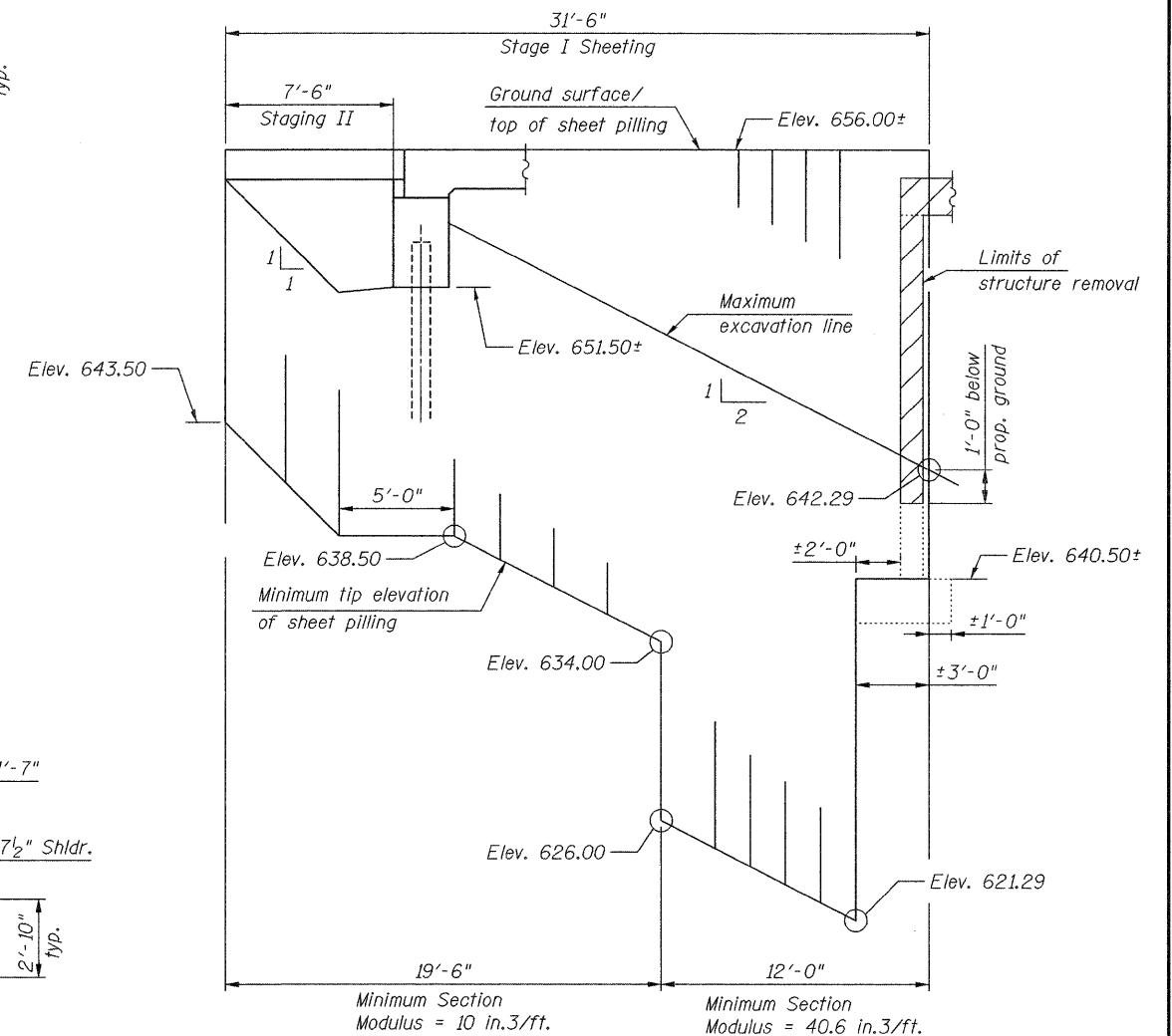
STAGE I CONSTRUCTION
(Looking Upstation)



STAGE II REMOVAL
(Looking Upstation)



STAGE II CONSTRUCTION
(Looking Upstation)



TEMPORARY SHEET PILING

BILL OF MATERIAL

ITEM	UNIT	TOTAL
Temporary Sheet Piling	Sq. Ft.	1362

NOTES:

- For details of temporary concrete barrier, see sheet 20 of 22.
- If the Contractor chooses to alter the temporary cantilevered sheet piling design requirements shown on the plans, a design submittal including plan details and calculations will be required for review and acceptance by the Engineer.
- The Contractor shall connect the first sheet to the existing abutment wall to ensure stability of sheets driven to the top of the existing footing. This connection shall be reviewed and accepted by the Engineer and included in the cost for Temporary Sheet Piling.

benesch
engineers · scientists · planners
Alfred Benesch & Company
205 North Michigan Avenue, Suite 2400
Chicago, Illinois 60601
312-665-0450
Job No. 3938

FILE NAME =
... \038-0220-66960-003-Stage.dgn

USER NAME = rgrmm
PLOT SCALE = #SCALE#
PLOT DATE = 01/24/2011

DESIGNED - JDC
CHECKED - JMS
DRAWN - MRW
CHECKED - JDC

REVISED -
REVISED -
REVISED -
REVISED -

STATE OF ILLINOIS
DEPARTMENT OF TRANSPORTATION

STAGE CONSTRUCTION AND TEMPORARY SHEETING
STRUCTURE NO. 038-0220

SHEET NO. 3 OF 22 SHEETS

F.A.P. RTE.	SECTION	COUNTY	TOTAL SHEETS	SHEET NO.
681	(117) BR-1	IROQUOIS	41	14
CONTRACT NO. 66960				
FED. ROAD DIST. NO.	ILLINOIS FED. AID PROJECT			