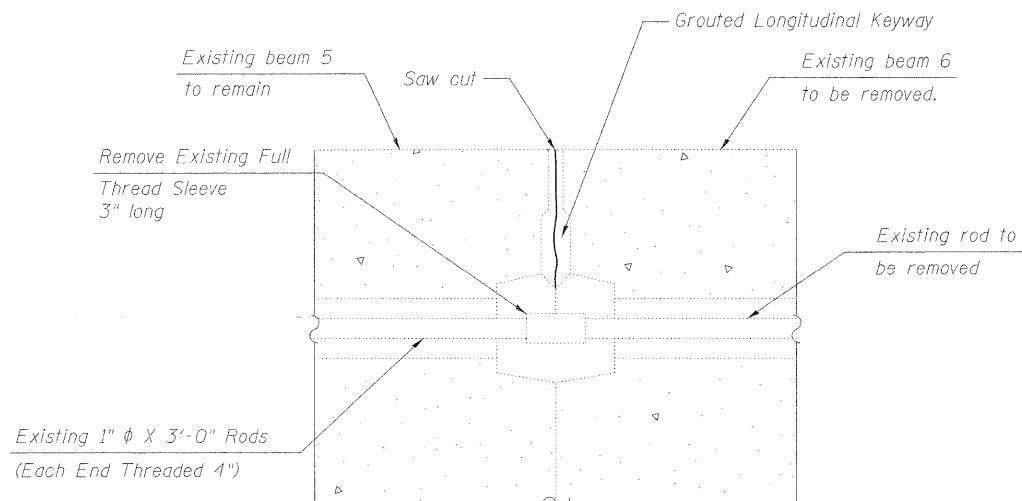
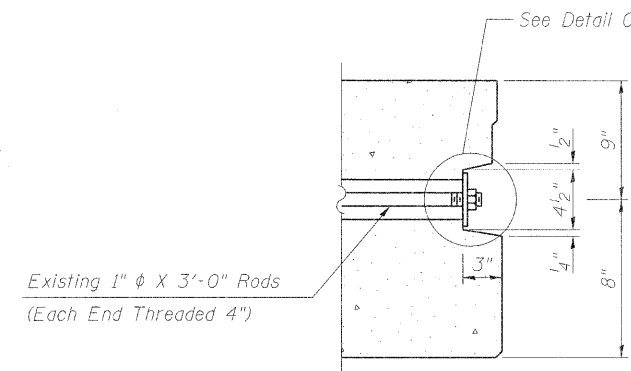


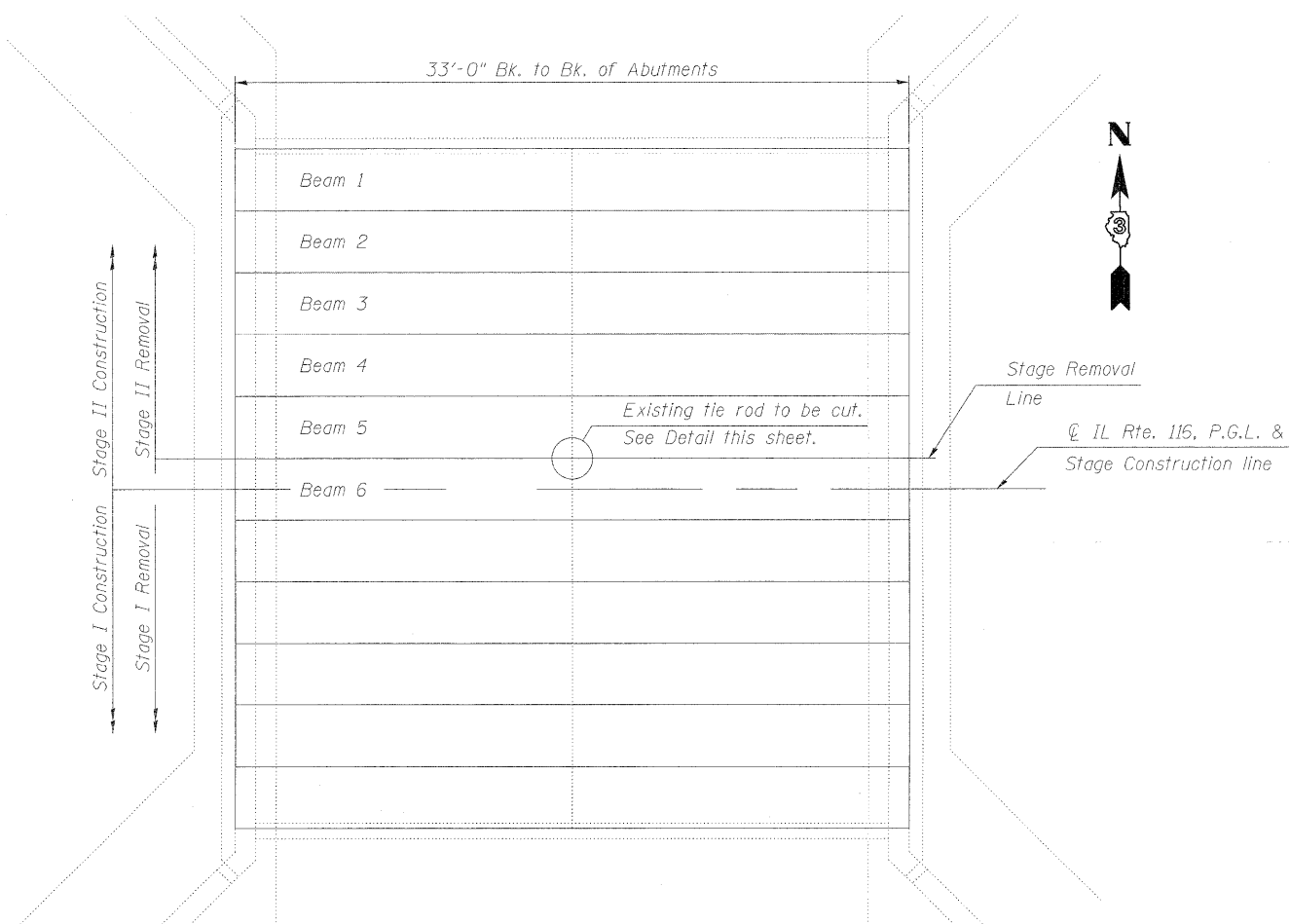
PARTIAL CROSS SECTION



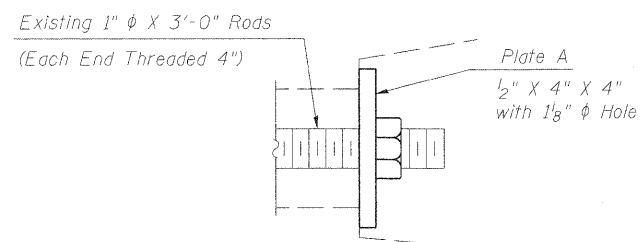
BEAM REMOVAL DETAIL AT TRANSVERSE TIE



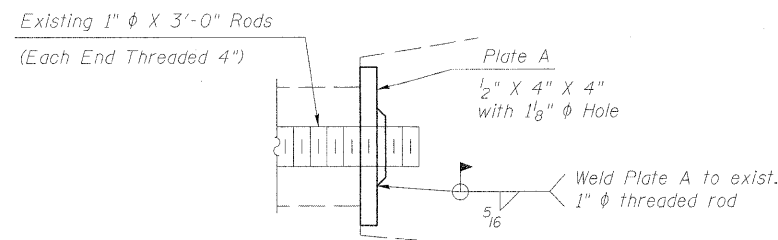
EXISTING BEAM 5 TIE MODIFICATION



PLAN



***ALTERNATE A**



ALTERNATE B

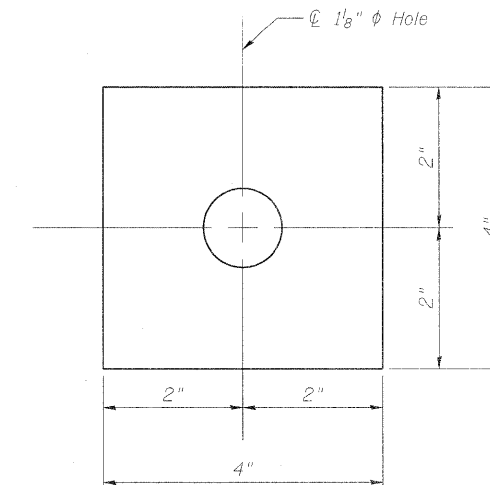


PLATE A (1 Required)

DETAIL C (1 Required)

* Alternate A is the preferred method and should be used if the existing threaded sleeve can be unscrewed.

NOTES:

- Contractor is responsible to maintain lateral stability of existing beams during beam removal and transverse tie modification.
- All cost shown on this sheet will be included in the cost of Removal of Existing Structures.

benesch
engineers · scientists · planners
Alfred Benesch & Company
205 North Michigan Avenue, Suite 2400
Chicago, Illinois 60601
312-565-0450
Job No. 3938

FILE NAME =
...038-0220-66960-004-Bmrem.dgn

USER NAME = joreisher
DESIGNED - JDC
CHECKED - JMS
DRAWN - MRW
PILOT DATE = 12/09/2010

REVISI -
REVISI -
REVISI -
REVISI -

**STATE OF ILLINOIS
DEPARTMENT OF TRANSPORTATION**

**STAGE CONSTRUCTION BEAM REMOVAL
STRUCTURE NO. 038-0220**

SHEET NO. 4 OF 22 SHEETS

F.A.P. RTE.	SECTION	COUNTY	TOTAL SHEETS	SHEET NO.
681	(117) BR-1	IRROUOIS	41	15
CONTRACT NO. 66960				
FED. ROAD DIST. NO.		ILLINOIS FED. AID PROJECT		

x:\3900s\structures\1116cover\langencreek\final\plans\038-0220-66960-004-Bmrem.dgn 17:49:56 12/09/2010