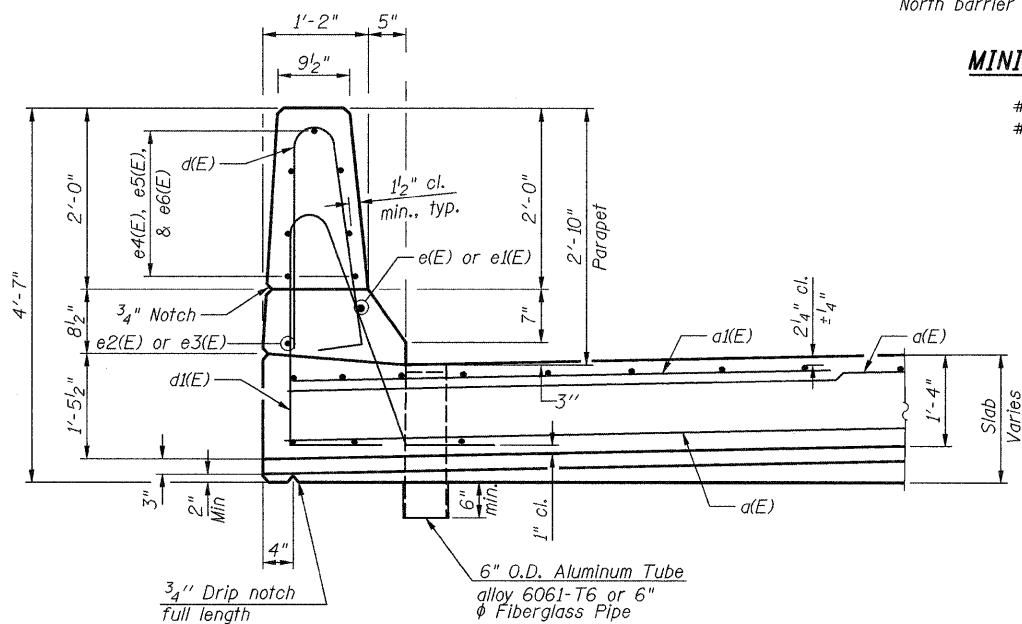


**INSIDE ELEVATION OF PARAPET**

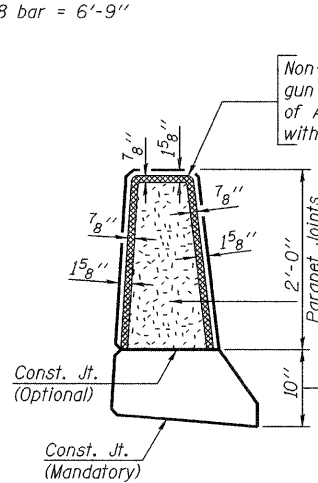
North barrier shown. South barrier is similar.

**MINIMUM BAR LAP**

(Parapet)  
 #4 bar = 2'-7"  
 #8 bar = 6'-9"



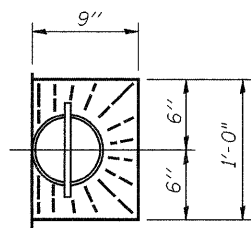
**SECTION THRU PARAPET**



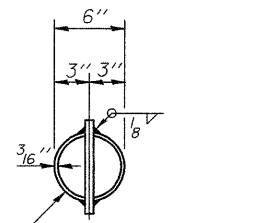
**PARAPET JOINT DETAILS**

**NOTES:**

- The exterior surfaces of the floor drains shall be coated or pigmented by the manufacturer with a color that matches the concrete.
- Fiberglass pipe shall conform to ASTM D 2996, with short-time rupture strength hoop tensile stress of 30,000 p.s.i. minimum.

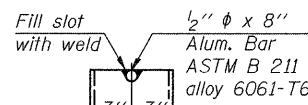


**TOP PLAN**

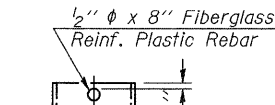


6" O.D. Aluminum Tube alloy 6061-T6 or 6" Fiberglass Pipe

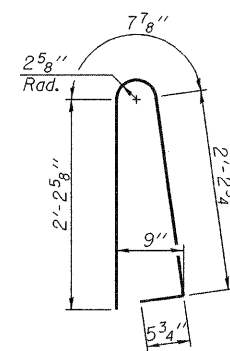
**TOP PLAN**  
 (Showing Aluminum Tube)



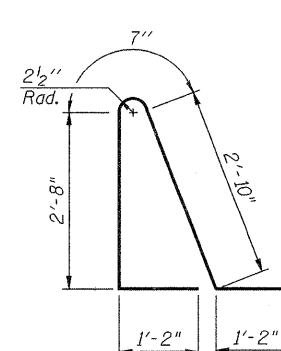
**ALUMINUM TUBE**



**FIBERGLASS PIPE**



**BAR d(E)**



**BAR d(E)**

**SUPERSTRUCTURE BILL OF MATERIAL**

Bar	No.	Size	Length	Shape
a(E)	274	#5	17'-1"	—
a(E)	98	#6	6'-6"	—
b(E)	76	#6	18'-6"	—
b(E)	38	#8	50'-0"	—
b2(E)	68	#8	17'-0"	—
b3(E)	140	#8	24'-6"	—
b4(E)	70	#8	38'-6"	—
d(E)	164	#5	5'-7"	—
d(E)	164	#5	8'-5"	—
e(E)	4	#8	24'-4"	—
e(E)	2	#8	39'-6"	—
e2(E)	4	#4	24'-4"	—
e3(E)	2	#4	31'-2"	—
e4(E)	28	#4	11'-8"	—
e5(E)	28	#4	12'-2"	—
e6(E)	28	#4	12'-8"	—
s(E)	68	#5	6'-8"	—
s(E)	68	#5	8'-11"	—
Reinforcement Bars, Epoxy Coated			Pound	37,120
Concrete Superstructure			Cu. Yd.	153.3

**benesch**  
 engineers · scientists · planners

Alfred Benesch & Company  
 205 North Michigan Avenue, Suite 2400  
 Chicago, Illinois 60601  
 312-668-0450  
 Job No. 3938