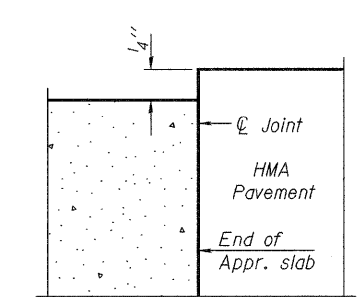
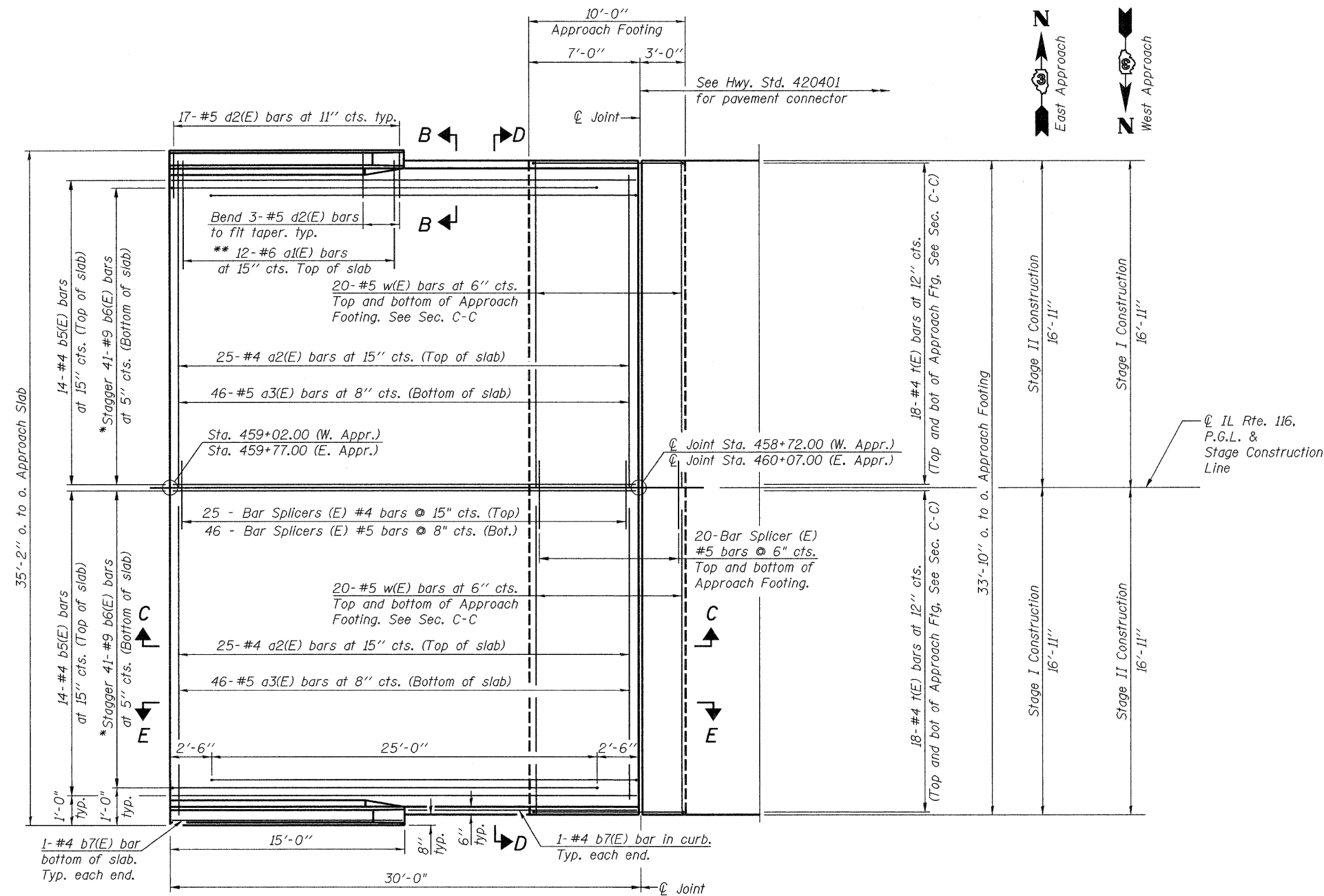


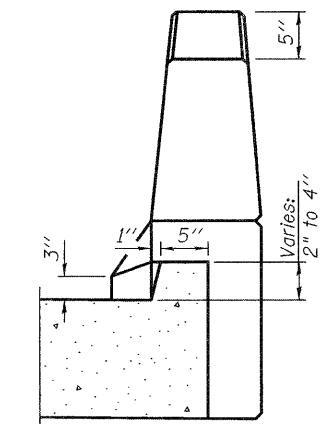
NOTES:

1. See sheet 12 of 22 for Sections C-C & D-D and View E-E.
2. a2(E), a3(E), and w(E) bar spacings measured perpendicular to ϕ Rdwy.



FLEXIBLE PAVEMENT

DETAIL A



VIEW B-B

PLAN

- * Tilt #9 b6(E) bars as required to maintain clearance.
- ** Alternate with a1(E) bars, typ. ea. parapet.

benesch
engineers · scientists · planners

Alfred Benesch & Company
206 North Michigan Avenue, Suite 2400
Chicago, Illinois 60601
312-565-0450
Job No. 3938

FILE NAME =
...\\038-0220-66960-011-opal.dgn

USER NAME = rgr1mm
PLOT SCALE = #SCALE#
PLOT DATE = 01/24/2011

DESIGNED - JDC
CHECKED - JMS
DRAWN - MRW
CHECKED - JDC

REVISED -
REVISED -
REVISED -
REVISED -

**STATE OF ILLINOIS
DEPARTMENT OF TRANSPORTATION**

**BRIDGE APPROACH SLAB DETAILS 1 OF 2
STRUCTURE NO. 038-0220**

SHEET NO. 11 OF 22 SHEETS

F.A.P. RTE.	SECTION	COUNTY	TOTAL SHEETS	SHEET NO.
681	(117) BR-1	IROQUOIS	41	22
FED. ROAD DIST. NO.		ILLINOIS FED. AID PROJECT		
		CONTRACT NO. 66960		