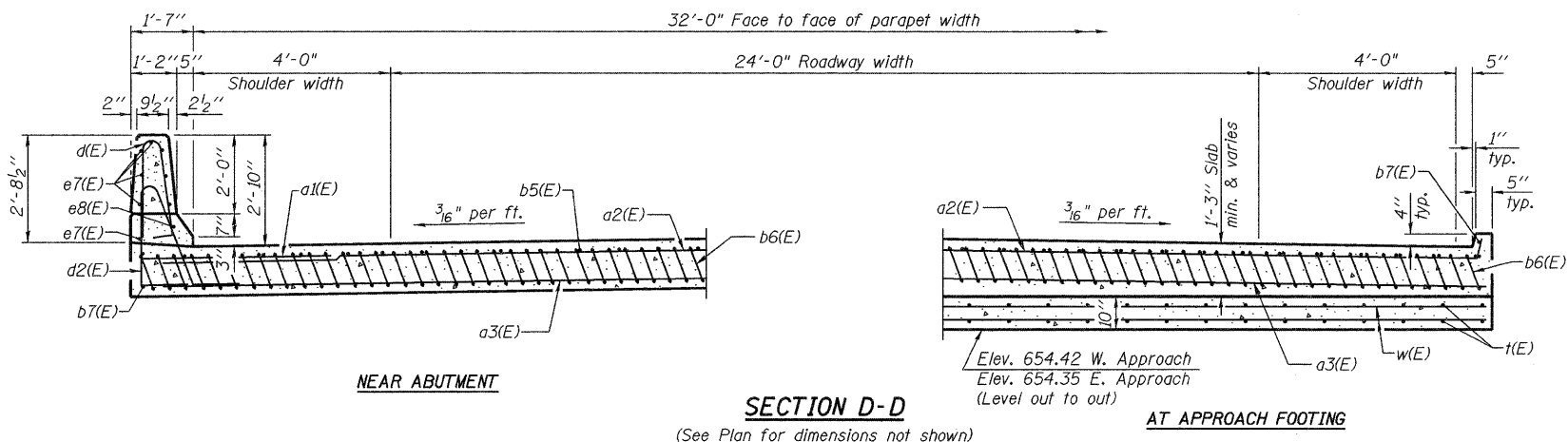
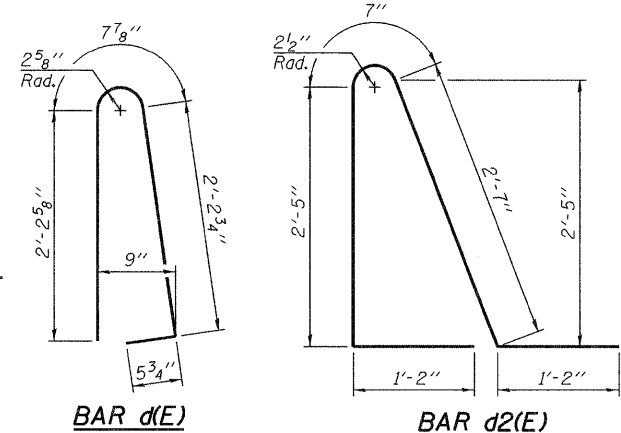


NOTES:

1. See sheet 11 of 22 for Detail A and View B-B.
2. Approach slab and parapet concrete shall be paid for as Concrete Superstructure.
3. Approach footing concrete shall be paid for as Concrete Structures.
4. Reinforcement shall be paid for as Reinforcement Bars, Epoxy Coated.
5. For v(E) bar details, see sheet 13 & 14 of 22.
6. The approach footing maximum applied service bearing pressure (Qmax) = 2.0 ksf.
7. For bar splicer details, see sheet 18 of 22.
8. Cost of excavation for approach footing included with Concrete Structures.
9. For Porous Granular Embankment, Special, and drainage treatment details see sheet 2 of 22.

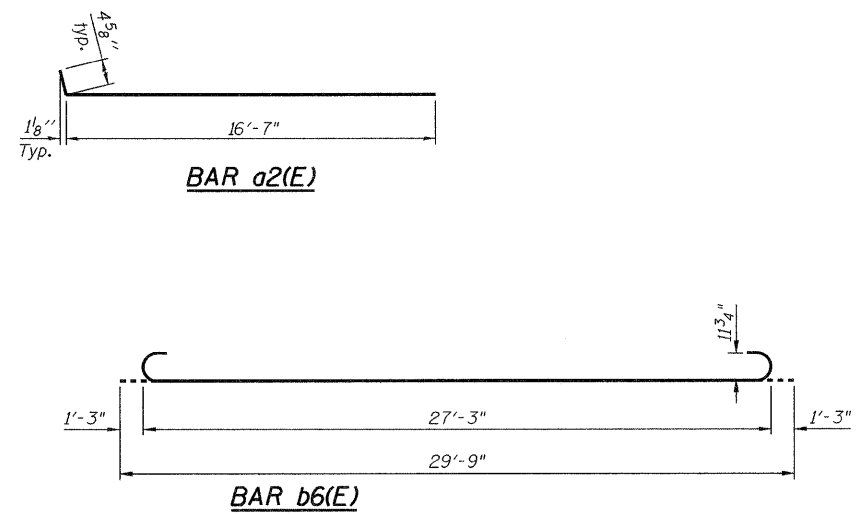
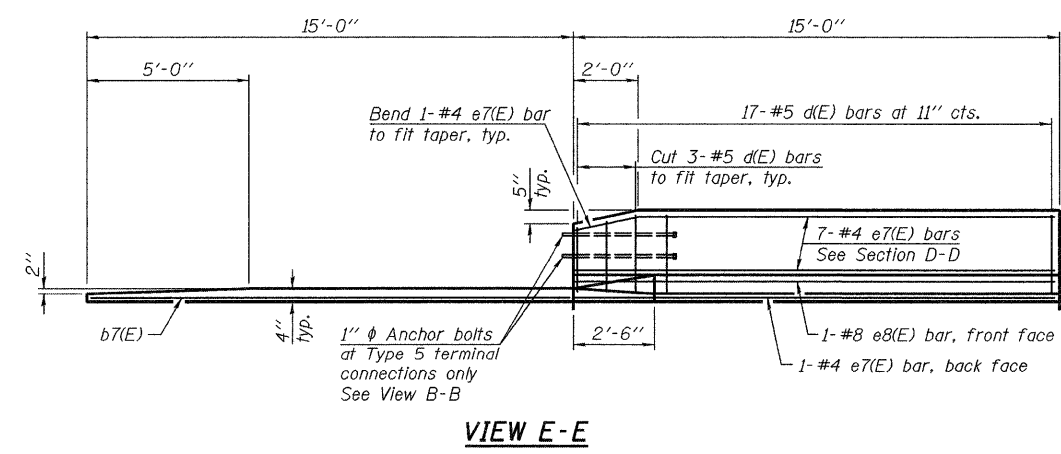


* Tilt #9 b6(E) bars as required to maintain clearance.
 *** Cost included with Concrete Superstructure.



**TWO APPROACHES
 BILL OF MATERIAL**

Bar	No.	Size	Length	Shape	
a1(E)	48	#6	6'-6"		
a2(E)	100	#4	17'-0"		
a3(E)	184	#5	16'-7"		
b5(E)	56	#4	29'-8"		
b6(E)	164	#9	29'-9"		
b7(E)	8	#4	14'-8"		
d(E)	68	#5	5'-7"		
d2(E)	68	#5	7'-11"		
e7(E)	32	#4	14'-8"		
e8(E)	4	#8	14'-8"		
t(E)	144	#4	9'-8"		
w(E)	160	#5	16'-7"		
Concrete Superstructure				Cu. Yd.	114.7
Concrete Structures				Cu. Yd.	20.9
Reinforcement Bars, Epoxy Coated				Pound	27,690



benesch
 engineers · scientists · planners
 Alfred Benesch & Company
 205 North Michigan Avenue, Suite 2400
 Chicago, Illinois 60601
 312-565-0450
 Job No. 3938

FILE NAME = ...\\038-0220-66968-012-eps\dt2.dgn	USER NAME = rgrimm	DESIGNED - JDC	REVISIONS -	STATE OF ILLINOIS DEPARTMENT OF TRANSPORTATION	BRIDGE APPROACH SLAB DETAILS 2 OF 2 STRUCTURE NO. 038-0220	F.A.P. RTE. 681	SECTION (117) BR-1	COUNTY IROQUOIS	TOTAL SHEETS 41	SHEET NO. 23
PLOT SCALE = #SCALE#	DRAWN - MRW	CHECKED - JMS	REVISIONS -			CONTRACT NO. 66960				
PLOT DATE = 01/24/2011	CHECKED - JDC	REVISIONS -	REVISIONS -			FED. ROAD DIST. NO. ILLINOIS FED. AID PROJECT				
SHEET NO. 12 OF 22 SHEETS										

x:\3900s\Structures\116CoverLanganCreek\Final\Plans\038-0220-66968-012-eps\dt2.dgn 14:50:03 01/24/2011