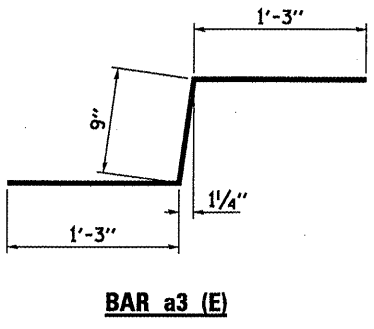
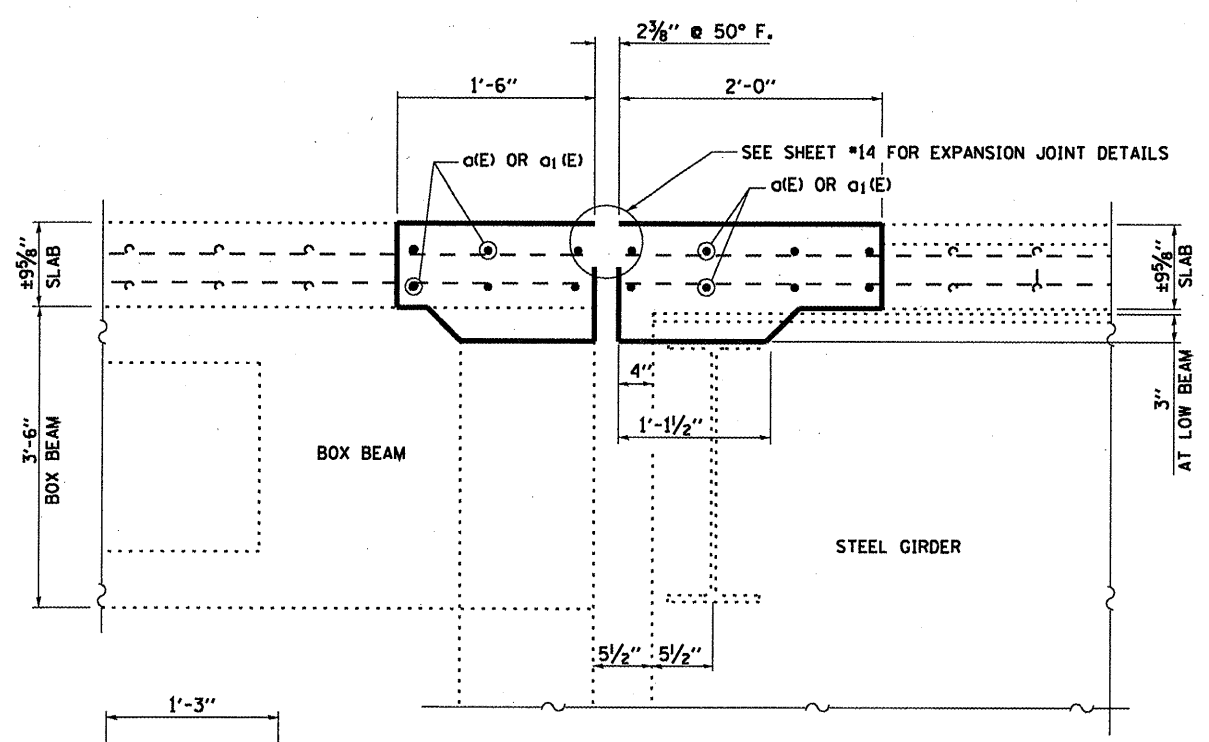
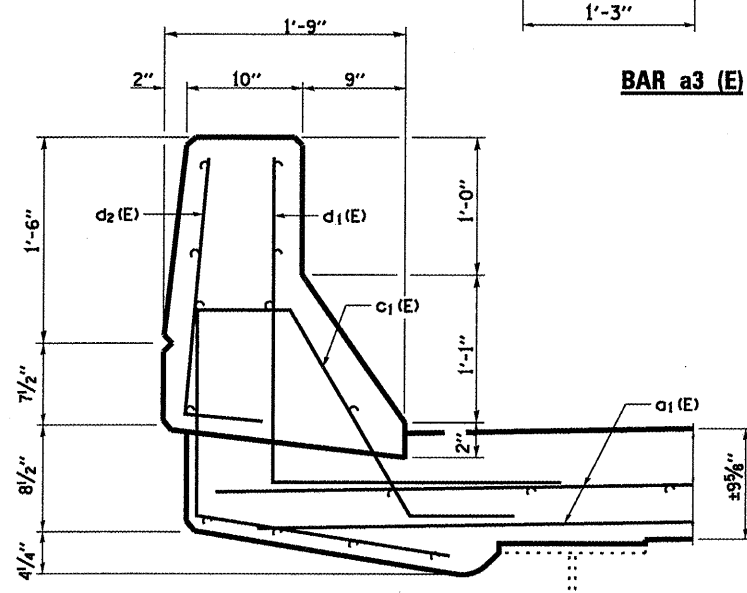


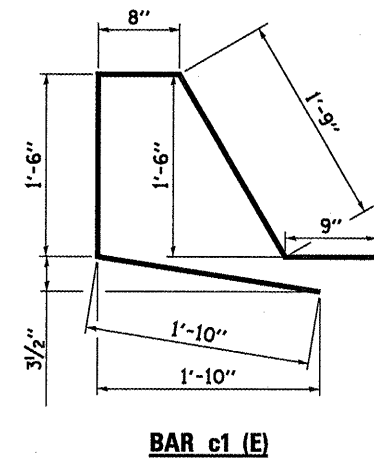
**SECTION AT PARAPET
(APPROACH)**



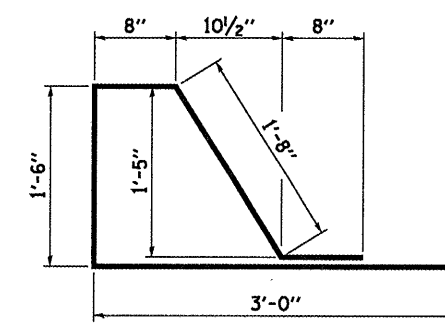
BAR a3 (E)



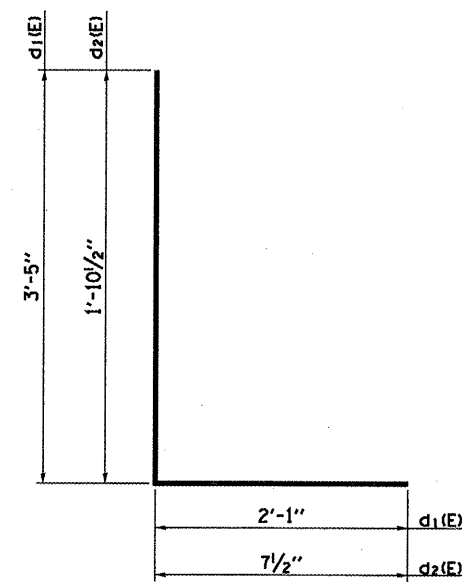
**SECTION AT PARAPET
(DECK)**



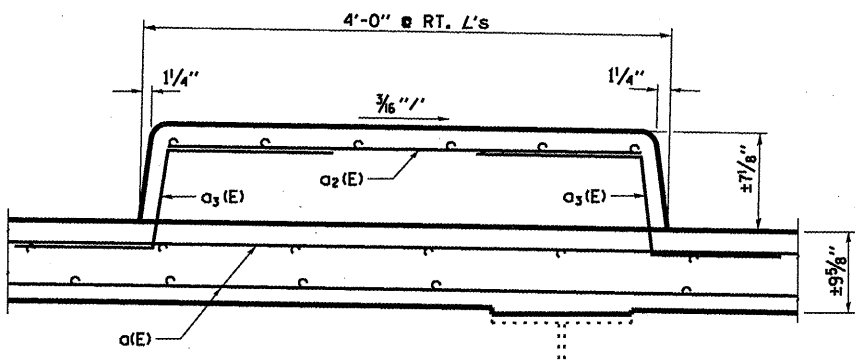
BAR c1 (E)



BAR c2 (E)



BARS d 1(E) & d2(E)



SECTION AT MEDIAN

EXPANSION JOINT DETAILS
 FAS 2370 (IL 26) SECTION (78-1HB-1)
 PUTNAM COUNTY
 STA. 40 + 00.00
 S.N. 078-0010

FILE NAME =	USER NAME = woodshankr1	DESIGNED - RLW	REVISED -
MAIN1-0366A27-details.dgn		DRAWN - RLW	REVISED -
PLOT SCALE = 100.0000 / IN.		CHECKED -	REVISED -
PLOT DATE = Dec 15, 2010 - 11:00:26 AM		DATE -	REVISED -

STATE OF ILLINOIS
DEPARTMENT OF TRANSPORTATION

EXPANSION JOINT DETAILS
 SCALE: SHEET NO. 6 OF 12 SHEETS STA. TO STA.

F.A.S. RTE.	SECTION	COUNTY	TOTAL SHEETS	SHEET NO.
2370	(78-1HB-1)	PUTNAM	18	12
CONTRACT NO. 66A27				
ILLINOIS FED. AID PROJECT				