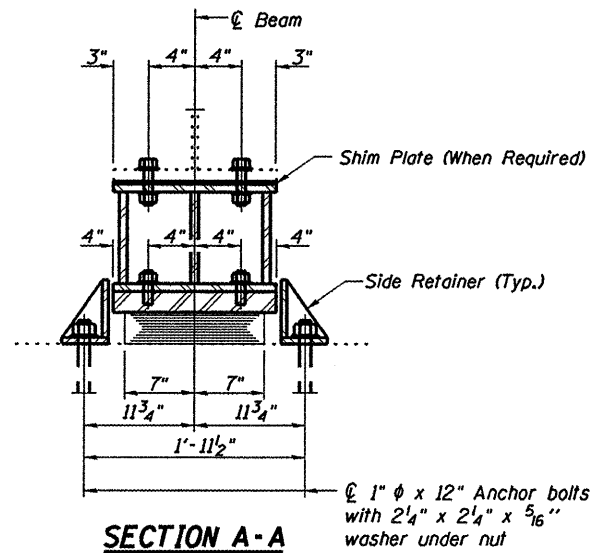


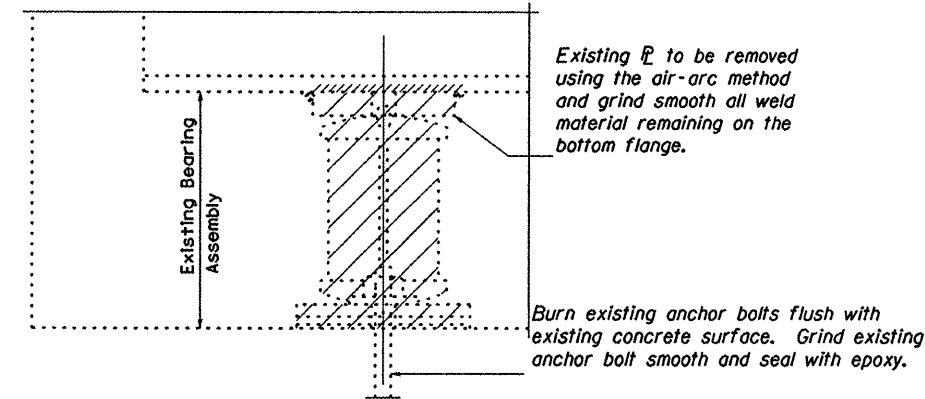
**ELEVATION AT ABUTMENT**



**SECTION A-A**

**BEAM REACTIONS**

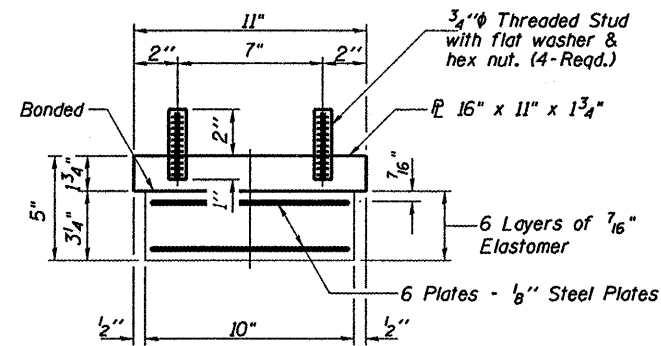
R <sub>D</sub>	(K)	46.7
R <sub>L</sub>	(K)	41.8
Imp.	(K)	9.3
R (Total)	(K)	97.8



**EXISTING BEARING REMOVAL DETAIL**

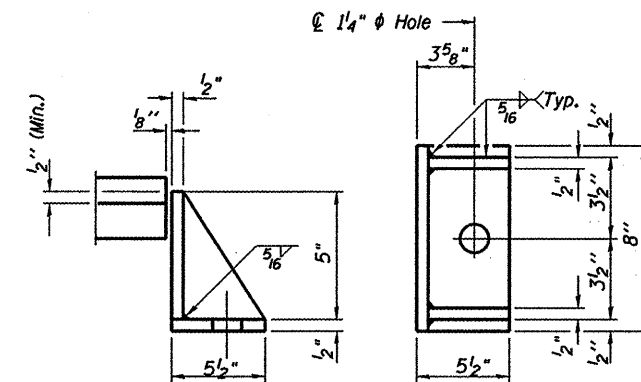
Cost included with Jack and Remove Existing Bearings.

**TYPE I ELASTOMERIC EXP. BRG.**



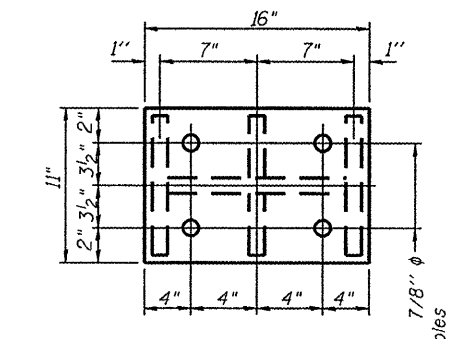
**BEARING ASSEMBLY**

Note: Shim plates shall not be placed under Bearing Assembly.

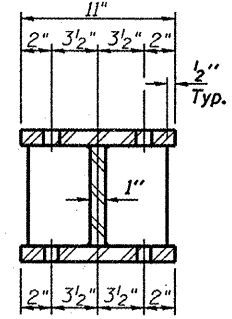


Equivalent rolled angle with stiffeners will be allowed in lieu of welded plates.

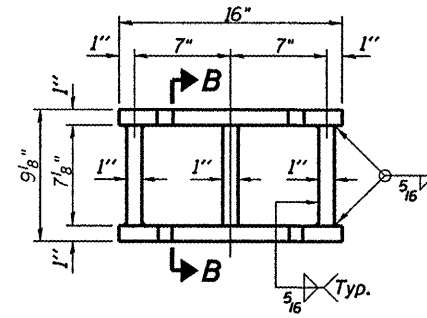
**SIDE RETAINER**



**PLAN TOP AND BOTTOM PLATE**

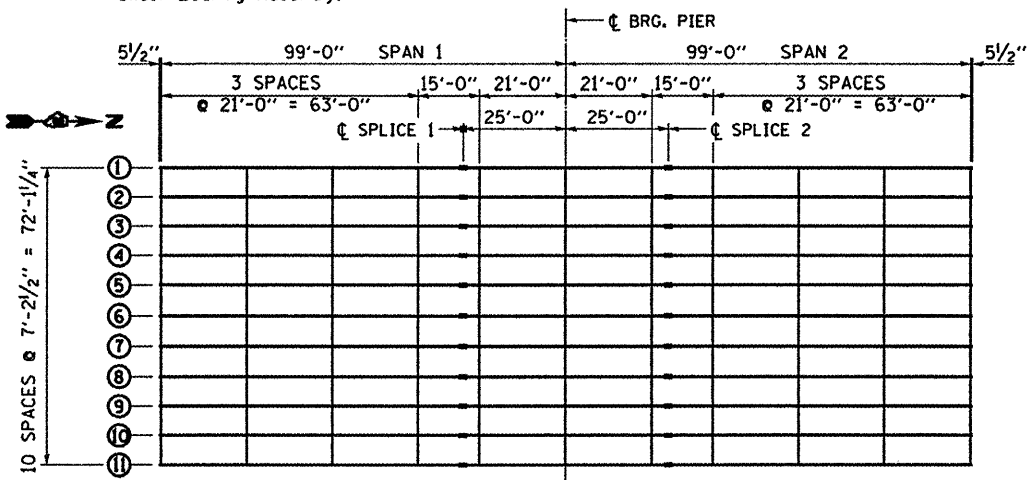


**SECTION B-B**



**STEEL EXTENSION DETAIL**

Notes:  
 Diaphragm removal and reinstallation may be required to facilitate drilling holes. Cost included with Furnishing and Erecting Structural Steel.  
 New steel extensions, shim plates and connection bolts are included with Furnishing and Erecting Structural Steel.  
 Prior to ordering any material, the Contractor shall verify in the field all bearing height and shim thickness dimensions.  
 Anchor bolts shall be ASTM F1554 all-thread (or an Engineer-approved alternate material) of the grade(s) and diameter(s) specified. ASTM A307 Grade C anchor bolts may be used in lieu of ASTM F1554 Grade 36 (F<sub>y</sub>=36ksi). The corresponding specified grade of AASHTO M314 anchor bolts may be used in lieu of ASTM F1554.  
 Anchor bolts at fixed bearings may be either cast in place or installed in holes drilled after the supported member is in place.  
 Drilled and set anchor bolts shall be installed according to Article 521.06 of the Standard Specifications.  
 Side retainers shall be included in the cost of Elastomeric Bearing Assembly, Type I.  
 The structural steel plates of the bearing assembly shall conform to the requirements of AASHTO M 270 grade 60.  
 Two adjusting shims shall be provided for each bearing in addition to all other plates or shims as shown on bearing details.  
 All (embedded and separate) bearing plates, side retainers, anchor bolts, nuts and washers shall be galvanized according to AASHTO M111 or M232 as applicable.  
 H.S. bolts in bearing assembly shall be galvanized according to AASHTO M298 Class 50.



**FRAMING PLAN**

NORTH ABUTMENT	
BEAM NO.	NO. 1/8" SHIMS
1	
2	1/2"
3	3/8"
4	3/8"
5	1/2"
6	3/8"
7	1/4"
8	1/2"
9	3/4"
10	3/4"
11	3/8"

SOUTH ABUTMENT	
BEAM NO.	NO. 1/8" SHIMS
1	
2	1/4"
3	1/2"
4	3/8"
5	1/2"
6	3/4"
7	3/4"
8	1"
9	3/8"
10	1/2"
11	

**BILL OF MATERIAL**

Item	Unit	Total
Elastomeric Bearing Assembly, Type I	Each	22
Jack and Remove Existing Bearings	Each	22
Furnishing and Erecting Structural Steel	Pound	4010
Anchor Bolts 1"φ	Each	44

**BEARING REPLACEMENT DETAILS**  
 FAS 2370 (IL 26) SECTION (78-1HB-11)  
 PUTNAM COUNTY  
 STA. 40+00.00  
 S.N. 078-0010

FILE NAME =	USER NAME = woodshankr1	DESIGNED - RLW	REVISED - RLW 02/04/2011
cp:\pw_work\pwsdot\woodshankr1\vd0257413\366A27-deta11s.dgn		DRAWN - RLW	REVISED -
PLOT SCALE = 100.0000 / IN.		CHECKED -	REVISED -
PLOT DATE = Feb 04, 2011 - 11:34:06 AM		DATE -	REVISED -

STATE OF ILLINOIS  
 DEPARTMENT OF TRANSPORTATION

**BEARING REPLACEMENT DETAILS**

SCALE: SHEET NO. 10 OF 12 SHEETS STA. TO STA.

F.A.S. RTE. 2370	SECTION (78-1HB-11)	COUNTY PUTNAM	TOTAL SHEETS 18	SHEET NO. 16
ILLINOIS FED. AID PROJECT			CONTRACT NO. 66A27	