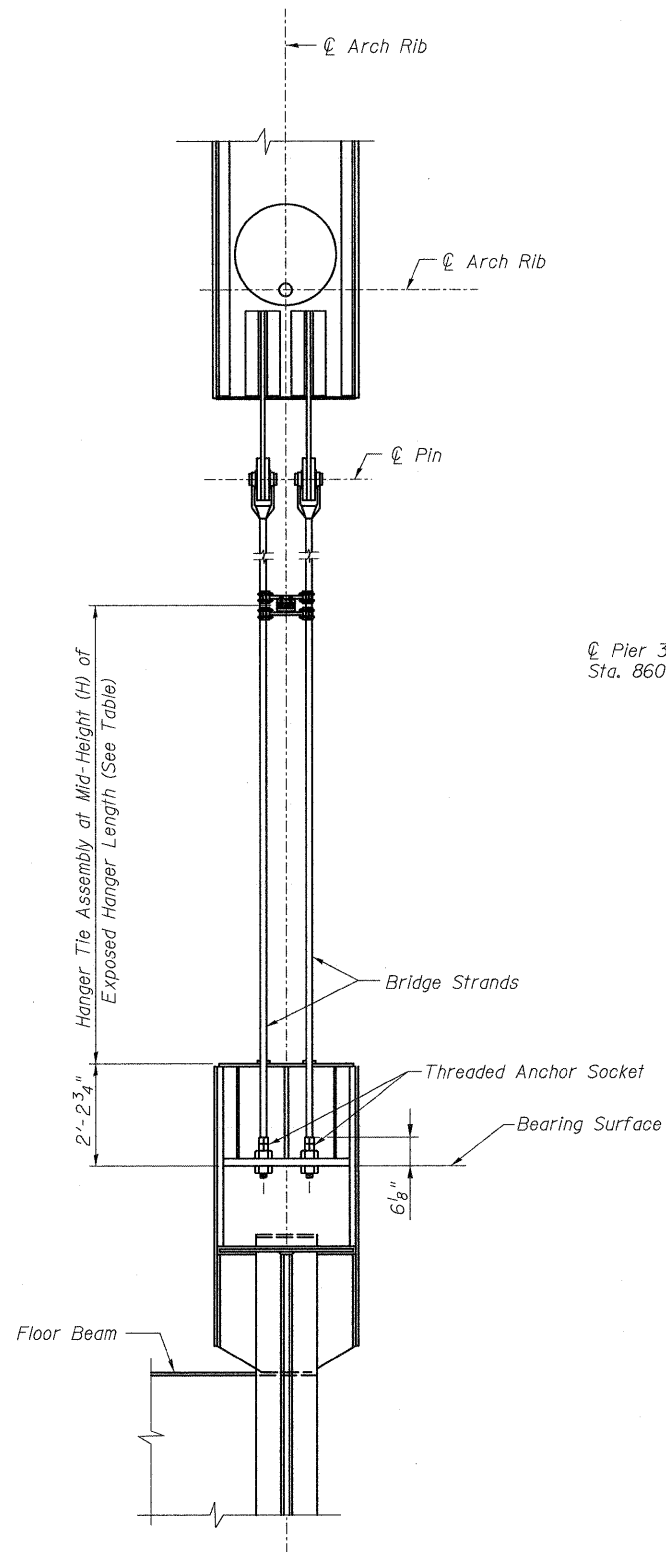
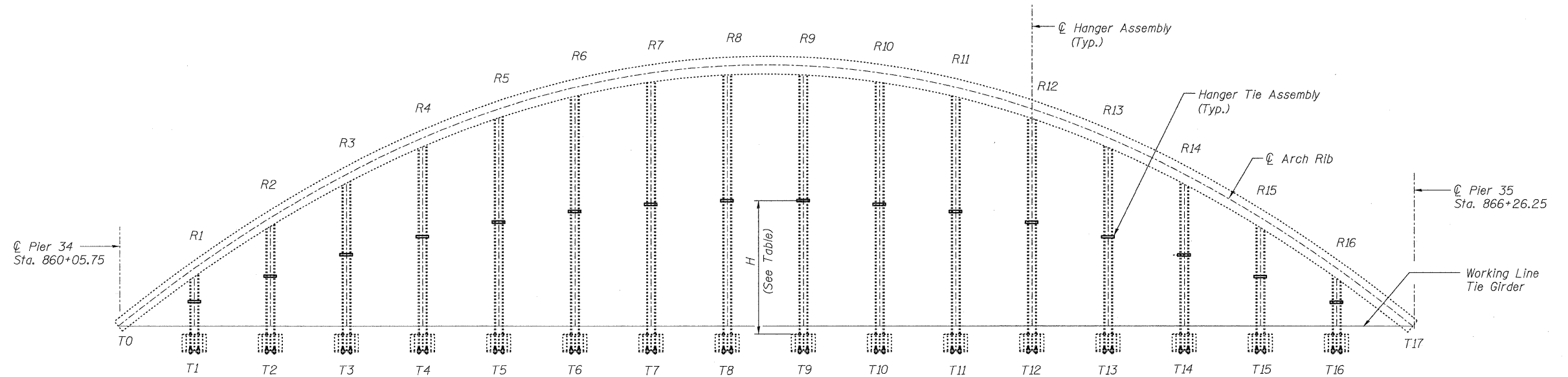


STATE OF ILLINOIS  
DEPARTMENT OF TRANSPORTATION



**HANGER ASSEMBLY**

DESIGNED -	VH
CHECKED -	HMA
DRAWN -	VH
CHECKED -	HMA



**ELEVATION OF TIED ARCH**

**HANGER TIE LOCATION TABLE**

Hanger Assembly	H (Feet)
R1 - T1	6.73
R2 - T2	18.80
R3 - T3	29.20
R4 - T4	37.85
R5 - T5	44.78
R6 - T6	50.00
R7 - T7	53.51
R8 - T8	55.23
R9 - T9	55.23
R10 - T10	53.51
R11 - T11	50.00
R12 - T12	44.78
R13 - T13	37.85
R14 - T14	29.20
R15 - T15	18.80
R16 - T16	6.73

**NOTE:**

For Hanger Tie Assembly Details, see Sheet 8.



EXPIRATION DATE 11-30-2012  
DATE 11/10/2010

**HANGER TIE ASSEMBLY LAYOUT  
ABRAHAM LINCOLN MEMORIAL BRIDGE OVER  
THE ILLINOIS RIVER (PUBLIC WATERS)**



SHEET NO. S1	F.A.I. RTE.	SECTION	COUNTY	TOTAL SHEETS	SHEET NO.
	39	[(50-4B)BRJI]	LASALLE	12	7
SHEETS S6	CONTRACT NO. 66A34				
FED. ROAD DIST. NO.		ILLINOIS	FED. AID PROJECT		

... \0500091-66A34-001-hangerlayout.dgn

14-46:59

11/10/2010