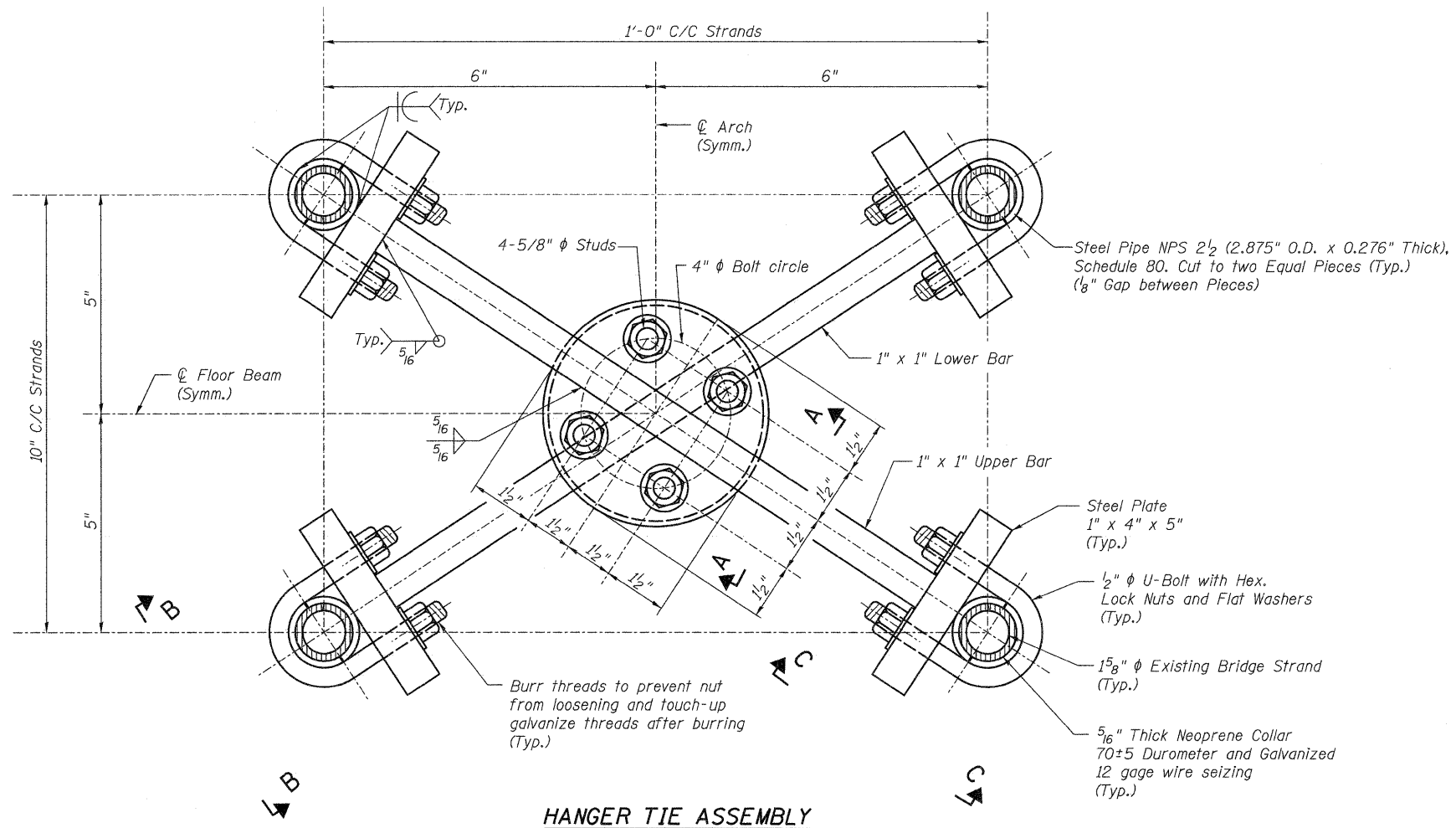
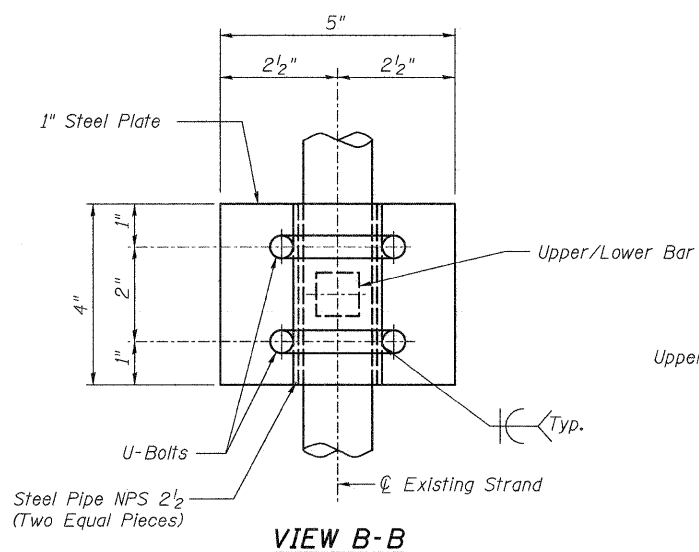


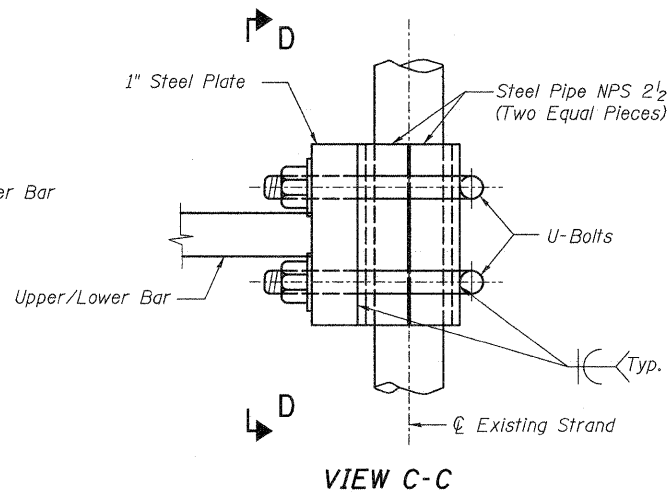
STATE OF ILLINOIS
DEPARTMENT OF TRANSPORTATION



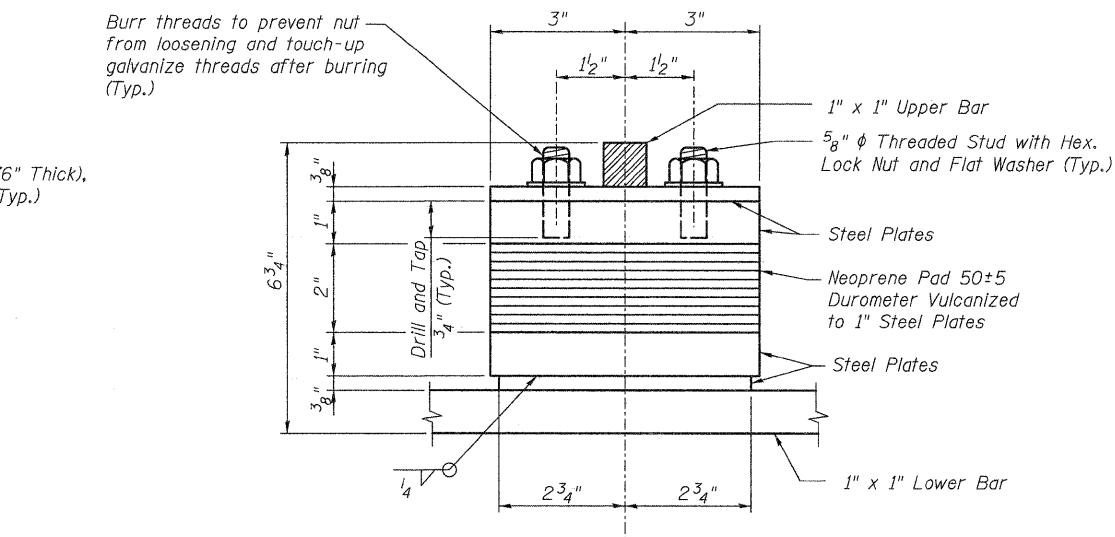
HANGER TIE ASSEMBLY



VIEW B-B



VIEW C-C



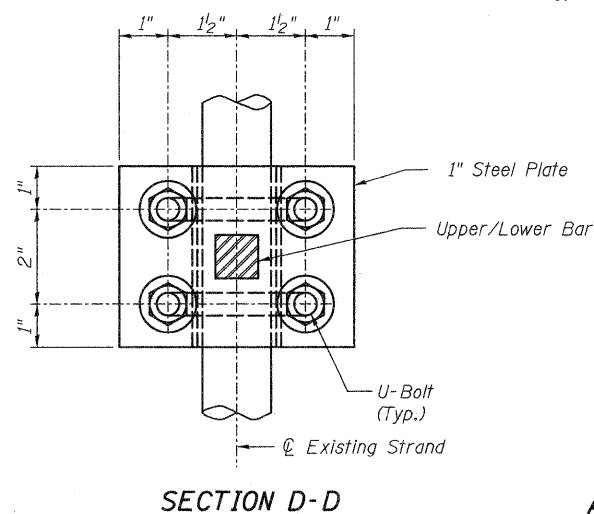
SECTION A-A

NOTES:

- Hanger Size and Spacing are taken from Existing Drawings. Contractor to field verify.
- Tie Assemblies shall be installed at the location shown on Sheet 7.
- See Special Provision "Hanger Tie Assembly" for material and construction details.

BILL OF MATERIAL

Item	Unit	Total
Hanger Tie Assembly	Each	32



SECTION D-D

**HANGER TIE ASSEMBLY DETAILS
ABRAHAM LINCOLN MEMORIAL BRIDGE OVER
THE ILLINOIS RIVER (PUBLIC WATERS)**

DESIGNED -	VH
CHECKED -	HMA
DRAWN -	VH
CHECKED -	HMA

benesch
engineers · scientists · planners
Alfred Benesch & Company
205 North Michigan Avenue, Suite 2400
Chicago, Illinois 60601
312-565-0450 Job No. 3938.05

SHEET NO. S2	F.A.I. RTE.	SECTION	COUNTY	TOTAL SHEETS	SHEET NO.
	39	[(50-4B)BR]I	LASALLE	12	8
SHEETS S6	CONTRACT NO. 66A34				
FED. ROAD DIST. NO.		ILLINOIS	FED. AID PROJECT		