

\* 2-#5 h<sub>1</sub>(E) bars  
(Typ. Each Face)

\* 8-#5 s(E) bars at ±18" cts.  
(Each Face)  
12-#5 s<sub>1</sub>(E) bars at ±12" cts.

2" cl. (Min.)

2" cl. (Min.)

7-#5 h<sub>4</sub>(E) bars

Const. Joint (Typ.)

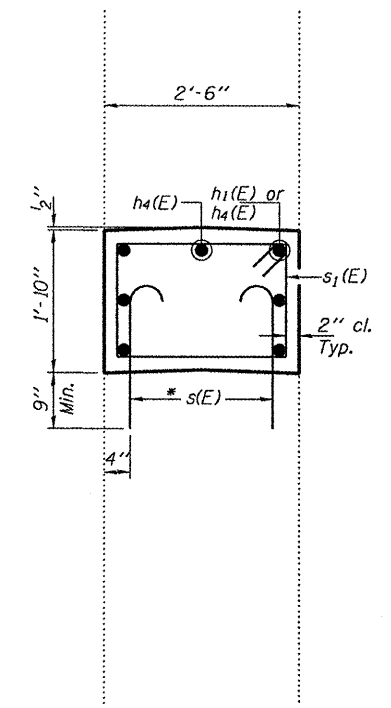
4'-0" Min.

Existing ground line

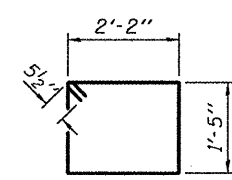
**ELEVATION**

Reinforcement details typical at all  
Crashwall Extension locations.

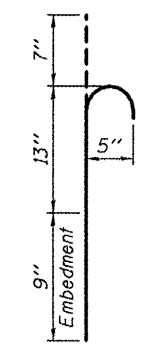
\* Epoxy grout bars in 9" min. holes  
according to Article 584 of the  
Standard Specifications.



**SECTION A-A**



**BAR s<sub>1</sub>(E)**



**BAR s(E)**

**NOTES**

The cost of epoxy grouting threaded rods shall be included with Reinforcement Bars (Epoxy Coated).  
Plan dimensions and details relative to existing plans are subject to nominal construction variations. The Contractor shall field verify existing dimensions and details affecting new construction and make necessary approved adjustments prior to construction or ordering of materials. Such variations shall not be cause for additional compensation for a change in scope of the work, however, the Contractor will be paid for the quantity actually furnished at the unit price bid for the work.  
Reinforcement bars shall conform to the requirements of ASTM A 706 Gr 60. See Special Provisions.  
Reinforcement bars designated (E) shall be epoxy coated.

**BILL OF MATERIAL  
W.B. PIER 1  
& E.B. PIER 3**

Bar	No.	Size	Length	Shape	
h <sub>1</sub> (E)	16	#5	2'-9"	—	
h <sub>4</sub> (E)	14	#5	10'-8"	—	
s(E)	32	#5	2'-5"	⊔	
s <sub>1</sub> (E)	24	#5	8'-1"	□	
Concrete Structures				Cu. Yd.	3.8
Reinforcement Bars, Epoxy Coated				Pound	480



EXPIRES 11-30-2012

DESIGNED Victor H. Vega	EXAMINED Jay F. J. [Signature]	DATE - JANUARY 20, 2011
CHECKED [Signature]	PASSED [Signature]	
DRAWN baliva		
CHECKED VH		

**STATE OF ILLINOIS  
DEPARTMENT OF TRANSPORTATION**

**CRASHWALL EXTENSION DETAILS  
SN 048-0058**

SHEET NO. 1 OF 1 SHEETS

F.A.I. RTE.	SECTION	COUNTY	TOTAL SHEETS	SHEET NO.
74	(48-27)R,RS-4	KNOX	103	52
CONTRACT NO. 68506				
ILLINOIS FED. AID PROJECT				