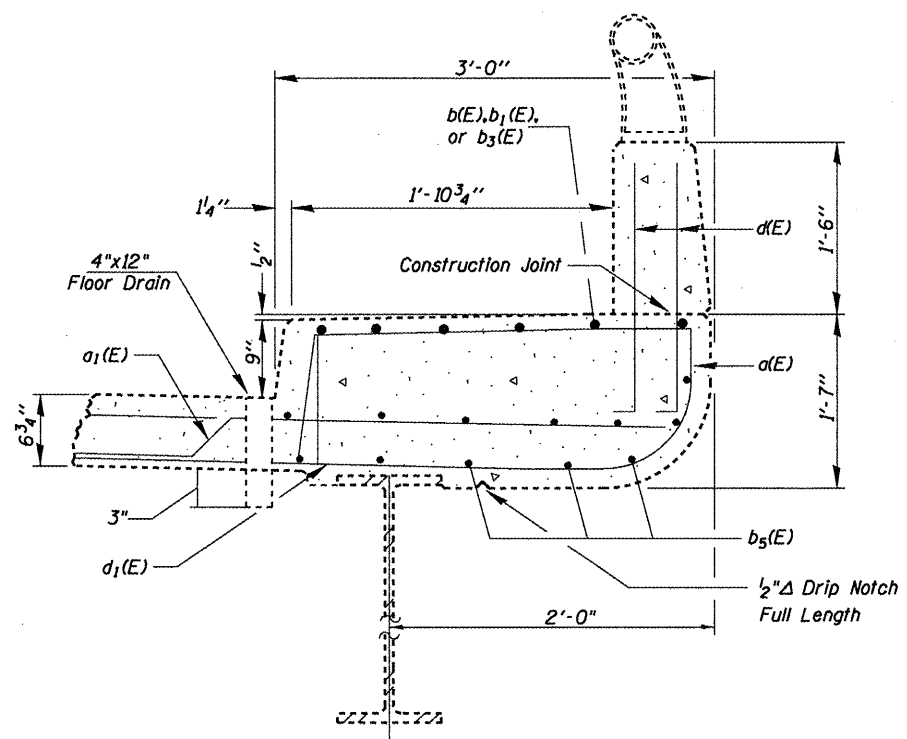


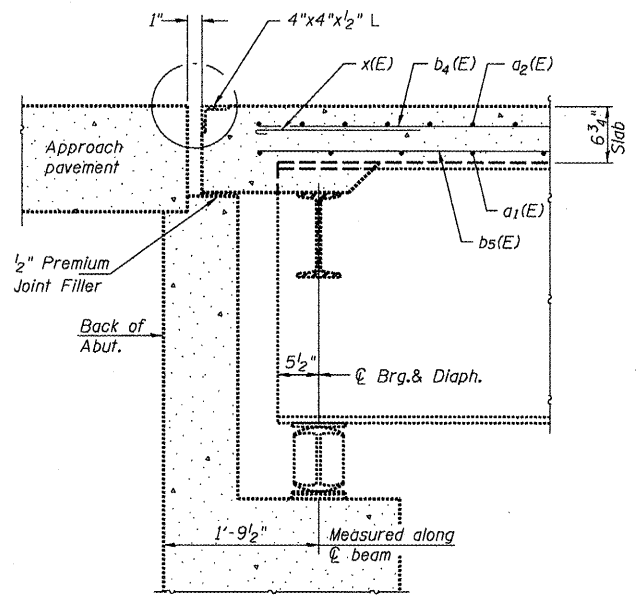
NEAR PIER

CROSS SECTION

NEAR MIDSPAN



CURB DETAIL



SECTION AT
END-OF-SLAB

Notes:
Reinforcement bars designated (E) shall be epoxy coated.
Bars indicated thus 20 x 3-#5 etc. indicates 20 lines of bars with 3 lengths per line.
Section views drawn "FOR INFORMATION ONLY" to be used as reference for beam repair.

**FOR
INFORMATION
ONLY**

S:\GEN\DRAW\STD&PLNS\SOJAD BRIDGES\BRIDGE CONTRACTS\STEEL BEAM REF\68A08 SN048-0065 FARNHAMSTOVRLS34.dgn

FILE NAME = SN048-0065 FarnhamStovrUS34.dgn	USER NAME = jonesce	DESIGNED - CEJ	REvised - ---	STATE OF ILLINOIS DEPARTMENT OF TRANSPORTATION	EXISTING CROSS SECTIONS STRUCTURE NO. 048-0065			F.A.P. RTE. 29	SECTION (21-HB-211-5)	COUNTY KNOX	TOTAL SHEETS 14	SHEET NO. 3
PLOT SCALE = 1/83.7051' / IN.	CHECKED - ---	DATE - 04/30/2009	REvised - ---		SCALE: _____	SHEET NO. _____	OF _____	SHEETS	STA. _____	TO STA. _____	STEEL BEAM REPAIRS CONTRACT NO. 68A08	
PLOT DATE = 12/16/2010	DATE - 04/30/2009	REvised - ---	REvised - ---		SN.048-0065 FARNHAM ST. OVER US34							
FED. ROAD DIST. NO. 4 (ILLINOIS) FED. AID PROJECT												