

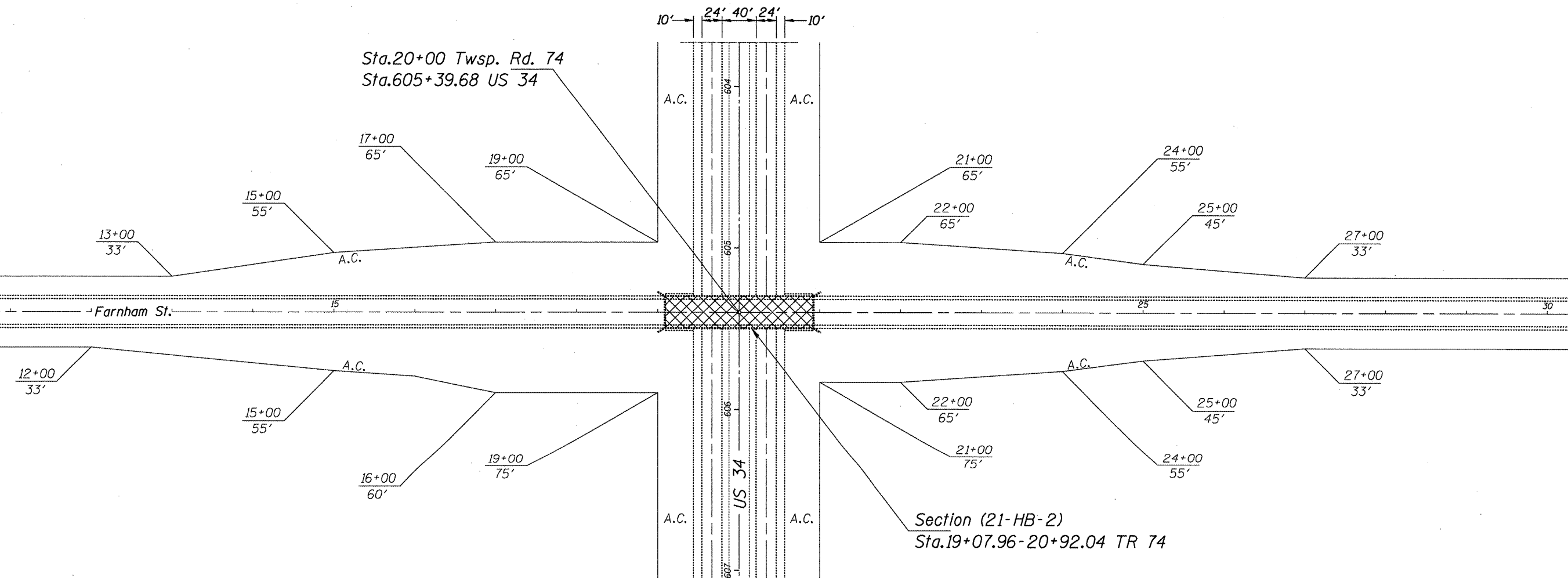
TWSP. RD. 74 (FARNHAM ST.)



CHARLES E. HINCKLEY
SEC.35, T.12N, R.1E, 4th P.M.

DUWAYNE R. JOHNSON
SECTION 35

Sta.20+00 Twsp. Rd. 74
Sta.605+39.68 US 34



Section (21-HB-2)
Sta.19+07.96-20+92.04 TR 74

FRANK O. & LINDA C. GUSTAFSON
SEC.36, T.12N, R.1E, 4th P.M.

BEATRICE DUNBAR
SECTION 36

R and 1/4 Section Line

S:\GEN\DRAWING\STDS&PLNS\SQUAD BRIDGES\BRIDGE CONTRACTS\STEEL BEAM REP/68A08 SN048-0065/SN048-0065 FARNHAMSTOV-US34.dgn

FILE NAME = SN048-0065 FarnhamStovrUS34.dgn	USER NAME = jonesco	DESIGNED - C JONES	REVISED - ---
		DRAWN - C JONES	REVISED - ---
	PLOT SCALE = 103.7051' / IN.	CHECKED - ---	REVISED - ---
	PLOT DATE = 12/16/2010	DATE - 08/15/2010	REVISED - ---

STATE OF ILLINOIS
DEPARTMENT OF TRANSPORTATION

GENERAL LAYOUT STRUCTURE NO. 048-0065			
SCALE: _____	SHEET NO. _____	OF _____ SHEETS	STA. _____ TO STA. _____

F.A.P. RTE.	SECTION	COUNTY	TOTAL SHEETS	SHEET NO.
29	(21-HB-21)-5	KNOX	14	5
STEEL BEAM REPL. & REPAIRS			CONTRACT NO. 68A086	
FED. ROAD DIST. NO. 4 ILLINOIS FED. AID PROJECT				

SN.048-0065 FARNHAM
ST. OVER US34