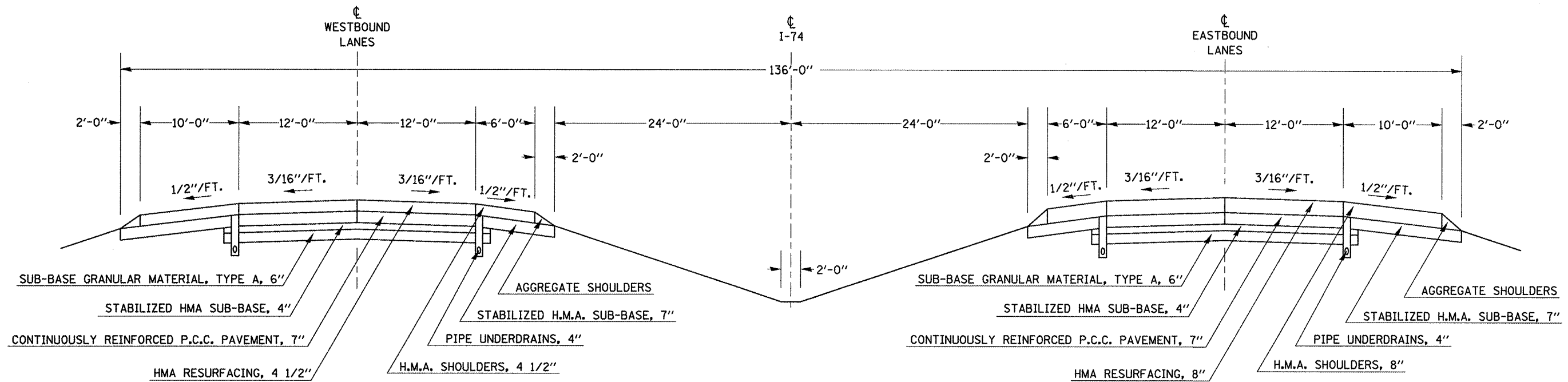


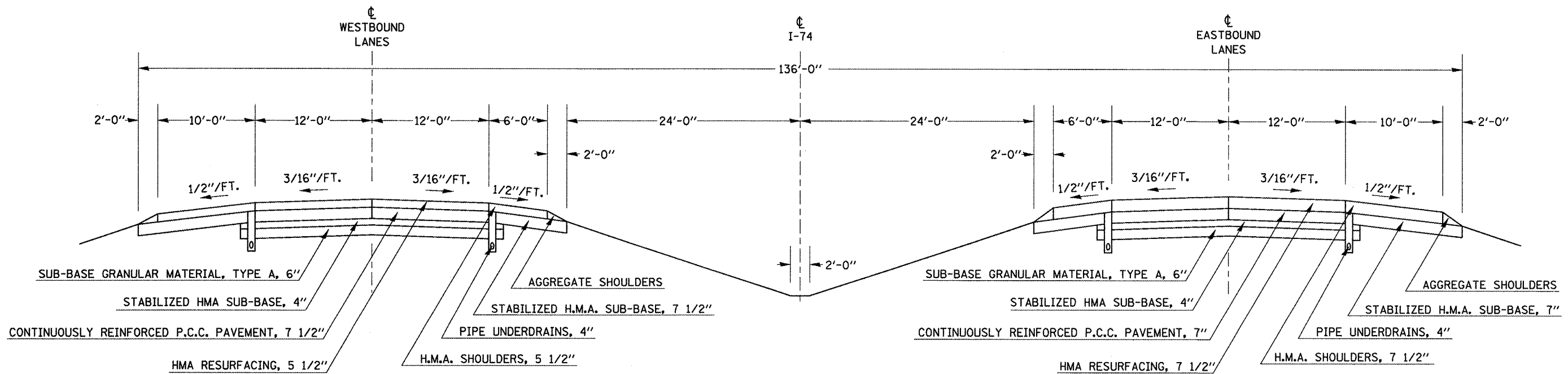
EXISTING TYPICAL CROSS SECTION ③

STATION ② 772+00.00 TO STATION 779+38.47 ④



EXISTING TYPICAL CROSS SECTION ④

STATION ③ 779+38.47 TO STATION 781+58.39 (OMISSION SN 057-0121 WB & SN 057-0120 EB) ⑤



FILE NAME =	USER NAME = hoganbj	DESIGNED -	REVISED -	STATE OF ILLINOIS DEPARTMENT OF TRANSPORTATION	EXISTING TYPICAL SECTIONS			F.A.I. RTE.	SECTION	COUNTY	TOTAL SHEETS	SHEET NO.
ce:\pw_work\p\dot\hoganbj\10159340\057050-sh1-typical.dgn	DRAWN -	REVISED -	74					(57-2011)21,22RS-3	MCLEAN	150	15	
PLOT SCALE = 1/8" = 1' IN.	CHECKED -	REVISED -	SCALE: SHEET NO. OF SHEETS STA. TO STA.				CONTRACT NO. 70550					
PLOT DATE = 10/21/2010	DATE -	REVISED -	ILLINOIS FED. AID PROJECT									