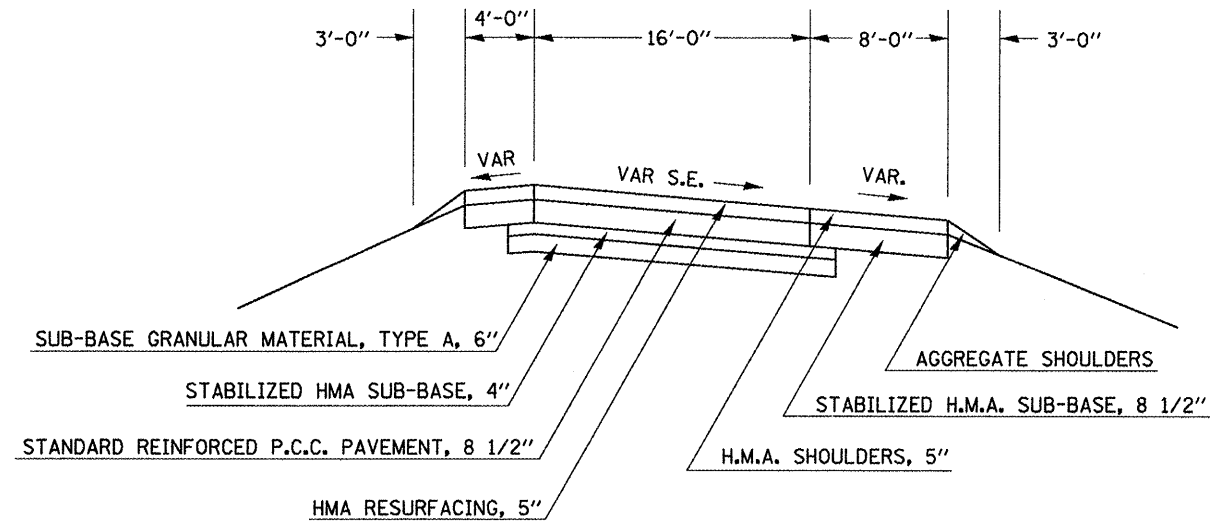


## EXISTING TYPICAL CROSS SECTION ⑩

OFF RAMPS CB AND DA

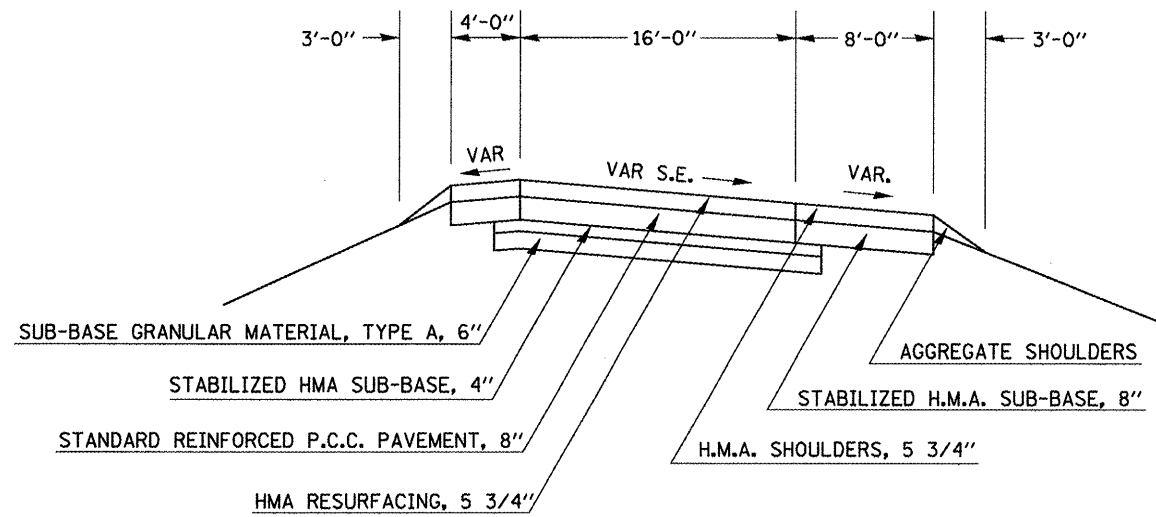
	STATION	TO	STATION
CB	10+00.00		28+63.98
DA	10+00.00		27+60.49



## EXISTING TYPICAL CROSS SECTION ⑪

ON RAMPS AC AND BD

	STATION	TO	STATION
AC	10+24.00		31+64.13
BD	10+24.00		32+79.31



FILE NAME =	USER NAME = hogenbj	DESIGNED -	REVISED - BJH 8/10/2010	<b>STATE OF ILLINOIS DEPARTMENT OF TRANSPORTATION</b>	<b>EXISTING TYPICAL SECTIONS</b>			F.A.I. RTE.	SECTION	COUNTY	TOTAL SHEETS	SHEET NO.
c:\pwwork\pwwork\hogenbj\d0158340\057058-shr-typical.dgn	DRAWN -	REVISED -	REVISED -		74	(57-2011), 21, 22, IRS-3	MCLEAN	150	19			
PLOT SCALE = 100.0000' / IN.	CHECKED -	REVISED -	REVISED -		CONTRACT NO. 70550			ILLINOIS FED. AID PROJECT				
PLOT DATE = 10/21/2010	DATE -	REVISED -	REVISED -		SCALE:	SHEET NO.	OF SHEETS	STA.	TO STA.			