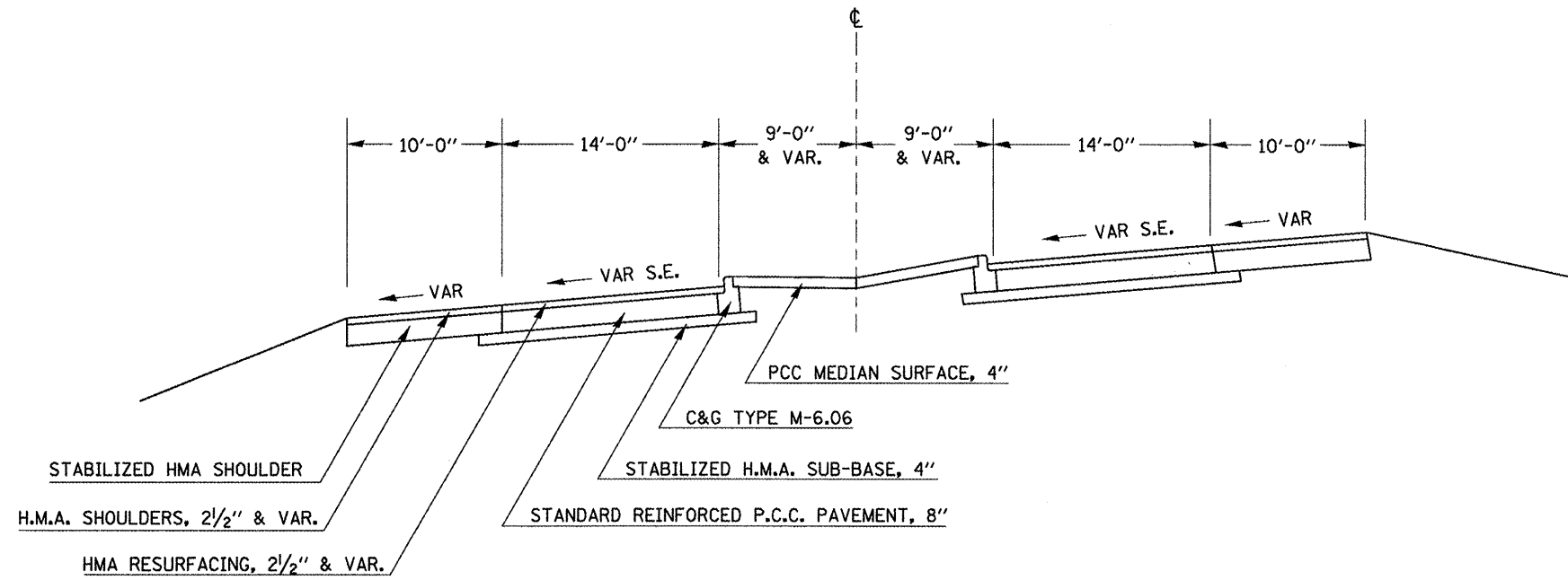


EXISTING TYPICAL CROSS SECTION 14

C.H. 36 - SUPERELEVATED
 STA. 34+83.43 - STA. 42+04.24
 TRANSITION FROM NORMAL SECTION 14 AT STA. 42+04.24 TO SEC 13 AT STA. 43+84.24



FILE NAME =	USER NAME = hoganbj	DESIGNED -	REVISED - BJH 8/10/2010
ct:\pw\work\p\dot\hoganbj\d\158342\0570	50-shr-typical.dgn	DRAWN -	REVISED -
	PLOT SCALE = 100.0000' / IN.	CHECKED -	REVISED -
	PLOT DATE = 10/21/2010	DATE -	REVISED -

**STATE OF ILLINOIS
 DEPARTMENT OF TRANSPORTATION**

EXISTING TYPICAL SECTIONS				
SCALE:	SHEET NO.	OF SHEETS	STA.	TO STA.

F.A.I. RTE.	SECTION	COUNTY	TOTAL SHEETS	SHEET NO.
74	(57-2011)21,22(RS-3	MCLEAN	150	21
CONTRACT NO. 70550				
ILLINOIS FED. AID PROJECT				