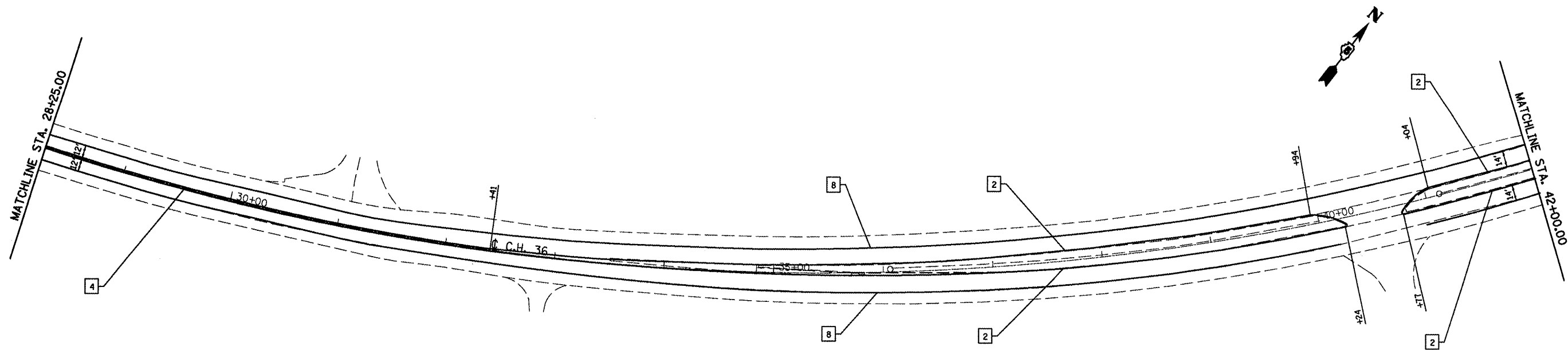
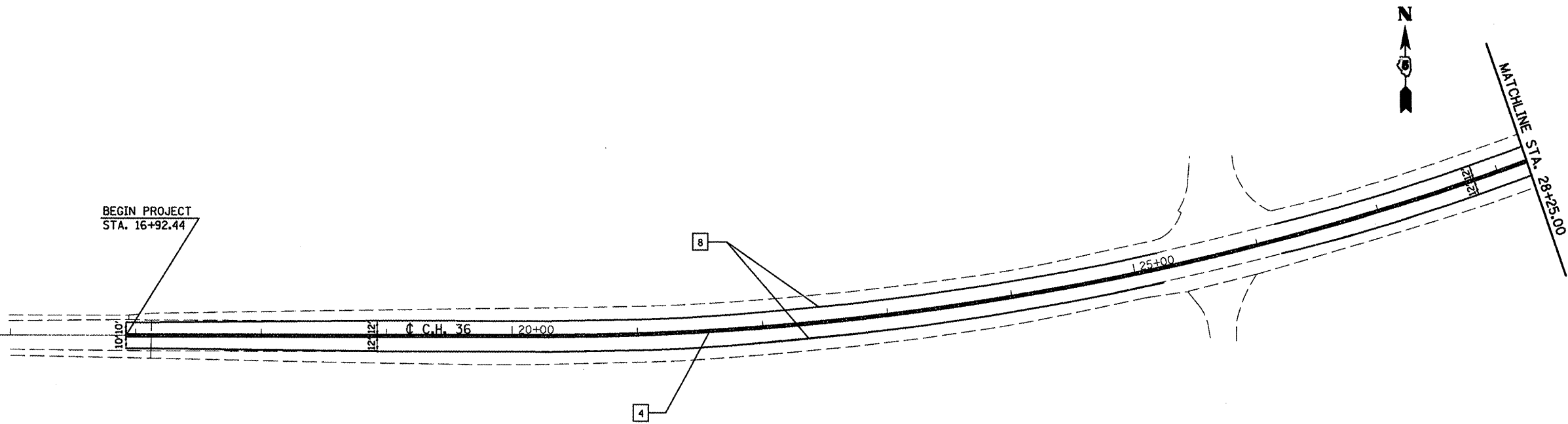


TYPICAL PAVEMENT MARKING LEGEND

- 1 4" (100) SKIP-DASH (YELLOW)
- 2 4" (100) SOLID (YELLOW)
- 3 12" (300) DIAGONAL (YELLOW)
- 4 4" (100) DOUBLE YELLOW (NARROW)
- 5 RESERVED
- 6 RESERVED
- 7 4" (100) SKIP-DASH (WHITE)
- 8 4" (100) SOLID (WHITE)
- 9 12" (300) DIAGONAL (WHITE)
- 10 6" (150) SOLID (WHITE)
- 11 24" (600) STOP BAR (WHITE)
- 12 6" (200) SOLID (WHITE)
- 13 4" (100) LANE LINE EXTENSIONS (WHITE)
- 14 4" (100) PARKING WHITE



FILE NAME =	USER NAME = hoganbj	DESIGNED -	REVISED -
c:\pwwork\pwwork\hoganbj\00158340\057059	59-sh-t-CH36.pmk.dgn	DRAWN -	REVISED -
PLOT SCALE = 1/8" = 1' / IN.	CHECKED -	DATE -	REVISED -
PLOT DATE = 10/21/2010			

**STATE OF ILLINOIS
DEPARTMENT OF TRANSPORTATION**

PAVEMENT MARKING SHEETS /C.H. 36
SCALE: 1" = 50' SHEET NO. 1 OF 2 SHEETS STA. 16+92.44 TO STA. 28+25.00

F.A.I. RTE.	SECTION	COUNTY	TOTAL SHEETS	SHEET NO.
74	(57-20(1),21,22)RS-3	MCLEAN	150	74
CONTRACT NO. 70550				
ILLINOIS FED. AID PROJECT				