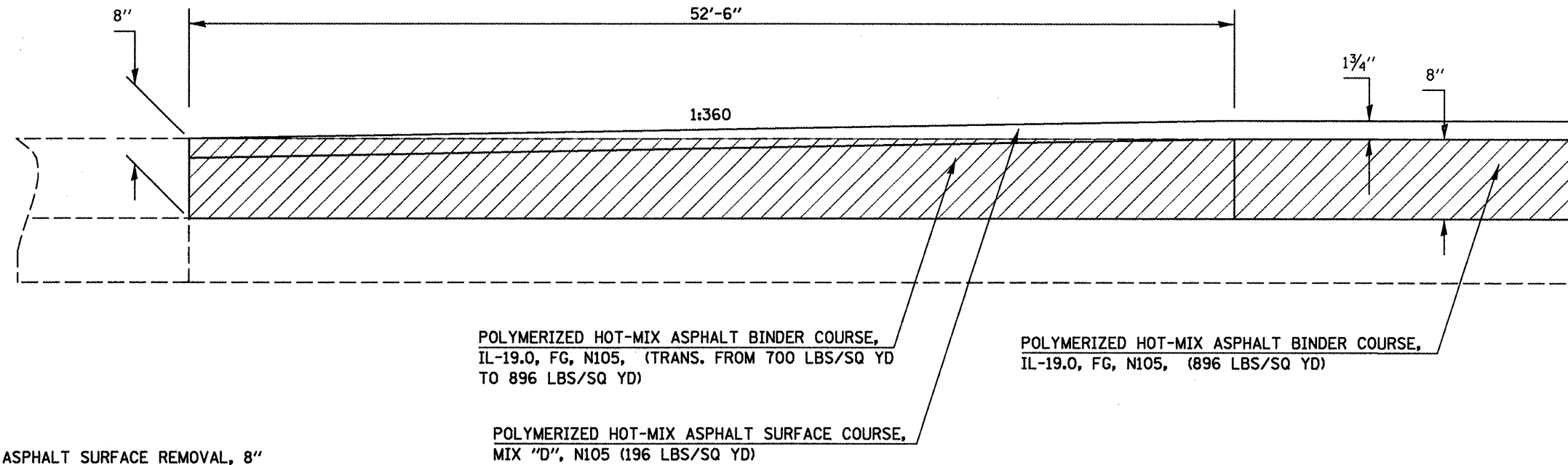


DETAIL FOR I-74 MILLING AND PAVING TRANSITIONS AT 8" MILLING LOCATIONS

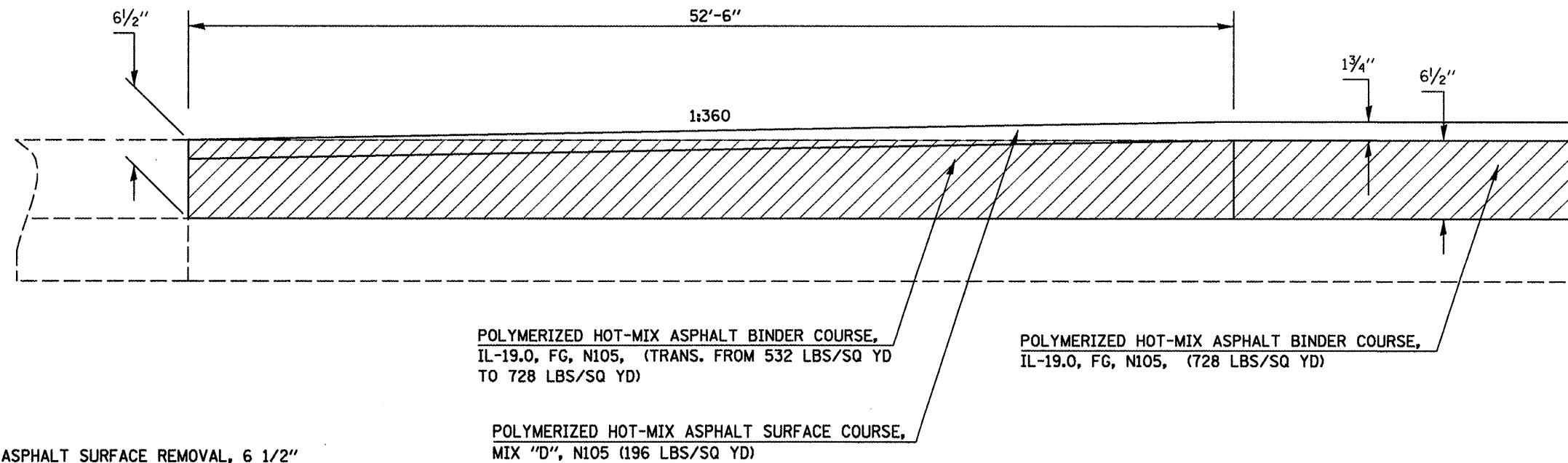
	<u>STATION</u>	<u>TO</u>	<u>STATION</u>	
I-74 EBDL	737+00.00		737+52.50	BEGINNING OF I-74 PROJECT
I-74 EBDL	778+85.97		779+38.47	APPROACH S.N. 057-0120



HOT-MIX ASPHALT SURFACE REMOVAL, 8"

DETAIL FOR I-74 MILLING AND PAVING TRANSITIONS AT 6 1/2" MILLING LOCATIONS

	<u>STATION</u>	<u>TO</u>	<u>STATION</u>	
I-74 EBDL	1040+25.25		1040+77.75	DEPARTURE S.N. 057-0125
I-74 EBDL	1110+47.50		1111+00.00	END OF I-74 PROJECT



HOT-MIX ASPHALT SURFACE REMOVAL, 6 1/2"

SHEET 4 OF 10

FILE NAME =	USER NAME = hogenbj	DESIGNED - BJH	REVISED -	STATE OF ILLINOIS DEPARTMENT OF TRANSPORTATION	MILLING AND PAVING TRANSITION DETAILS	F.A.I. RTE.	SECTION	COUNTY	TOTAL SHEETS	SHEET NO.	
c:\pwork\pwork\hogenbj\d0156340\0570550-sht-detail.dgn	8/30/2010	8/30/2010				74	(57-20(1),21,22)RS-3	McLean	150	79	
PLOT SCALE = 40.0000' / IN.	CHECKED -	REVISOR -				CONTRACT NO. 70550		ILLINOIS FED. AID PROJECT			
PLOT DATE = 10/21/2010	DATE -	REVISOR -				SCALE:	SHEET NO. 4 OF 10 SHEETS	STA.	TO STA.		