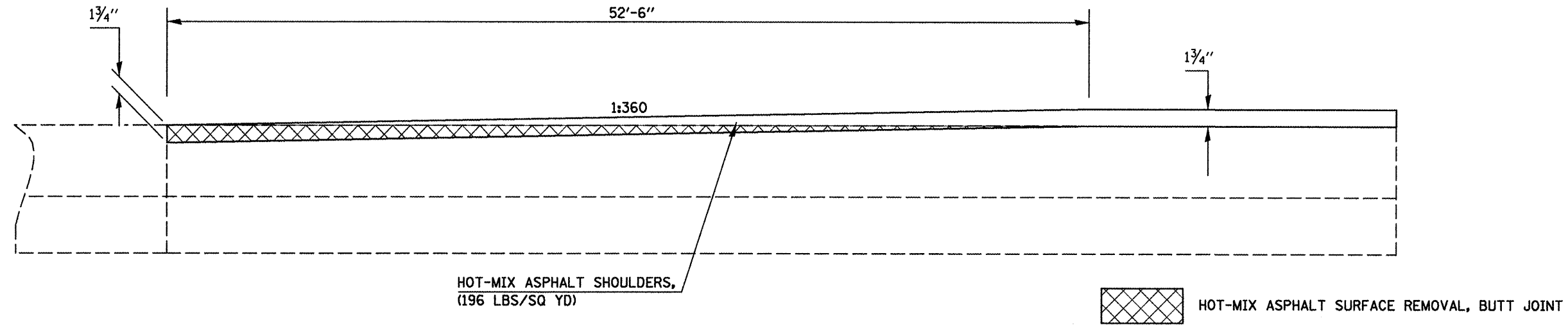


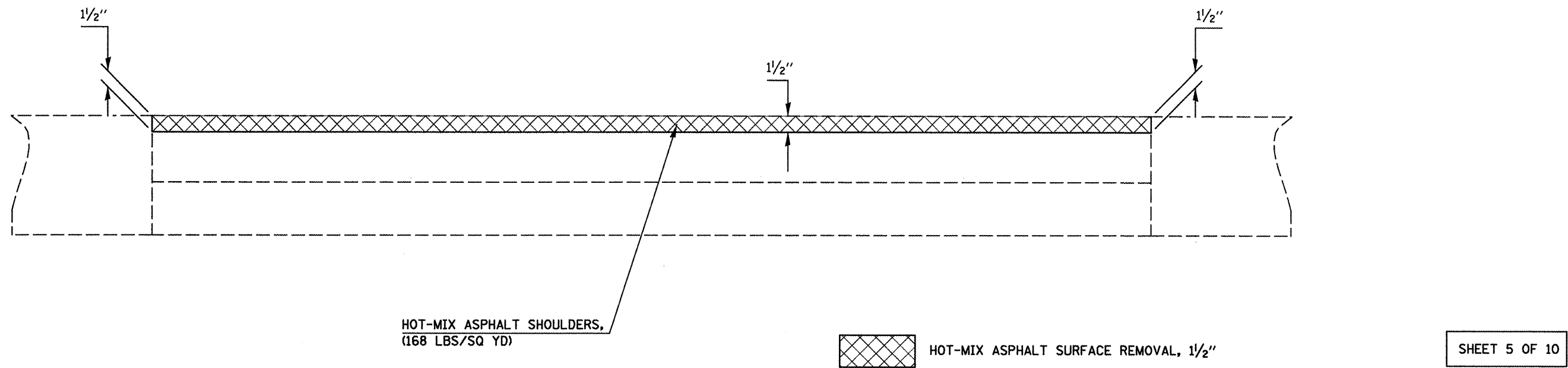
DETAIL FOR I-74 SHOULDERS MILLING AND PAVING TRANSITIONS AT OVERLAY LOCATIONS

	STATION	TO	STATION	
I-74 WBDS, WBPS, EBPS & EBDS	737+00.00		737+52.50	BEGINNING OF I-74 PROJECT
I-74 WBPS, EBPS, WBDS, & EBDS	778+85.97		779+38.47	DEPARTURE S.N. 057-0121 (WB) & APPROACH S.N. 057-0120 (EB)
I-74 WBPS & WBDS	781+58.39		782+10.89	APPROACH S.N. 057-0121
I-74 WBPS & WBDS	828+59.25		829+11.75	DEPARTURE PCC PATCH UNDER S.N. 057-0122
I-74 WBPS & WBDS	837+66.33		838+18.83	APPROACH PCC PATCH UNDER S.N. 057-0122
I-74 WBPS & WBDS	1037+21.75		1037+74.25	DEPARTURE S.N. 057-0126
I-74 WBPS, EBPS, WBDS, & EBDS	1040+25.25		1040+77.75	APPROACH S.N. 057-0126 (WB) & DEPARTURE S.N. 057-0125 (EB)
I-74 WBPS, EBPS, WBDS, & EBDS	1110+47.50		1111+00.00	END OF I-74 PROJECT



DETAIL FOR I-74 SHOULDERS MILLING AND PAVING AT INLAY LOCATIONS (1 1/2" MILL AND FILL)

	STATION	TO	STATION	
I-74 EBDS & EBPS	781+58.39		1037+74.25	THROUGH THE INLAY SECTION COMPLETED IN 2009
I-74 WBDS & WBPS	829+11.75		837+66.33	THROUGH THE PCC PATCH SECTION UNDER S.N. 057-0122



FILE NAME =	USER NAME = hoganbj	DESIGNED - BJH	REVISED -	STATE OF ILLINOIS DEPARTMENT OF TRANSPORTATION	MILLING AND PAVING TRANSITION DETAILS	F.A.I. RTE:	SECTION	COUNTY	TOTAL SHEETS	SHEET NO.	
		DRAWN - BJH 8/30/2010	REVISED -			74	(57-2011)21.22IRS-3	McLean	150	80	
		CHECKED -	REVISED -			CONTRACT NO. 70550		ILLINOIS FED. AID PROJECT			
		DATE -	REVISED -			SCALE:	SHEET NO. 5 OF 10 SHEETS	STA.	TO STA.		