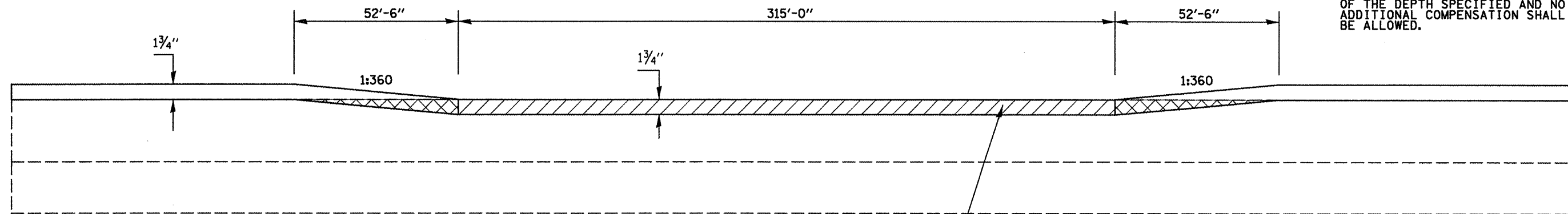


DETAIL FOR I-74 MILLING AND PAVING TRANSITIONS UNDER S.N. 057-0127

	STATION	TO	STATION	
I-74 WBPL, WBPS, & WBDS	1088+30.00		1092+50.00	UNDER S.N. 057-0127
I-74 EBPS, & EBDS	1088+37.50		1092+57.50	UNDER S.N. 057-0127

NOTE: AREA OF MILLING TRANSITION SHALL BE INCLUDED IN THE CONTRACT UNIT PRICE FOR THE VARIOUS PAY ITEMS FOR HOT-MIX ASPHALT SURFACE REMOVAL OF THE DEPTH SPECIFIED AND NO ADDITIONAL COMPENSATION SHALL BE ALLOWED.

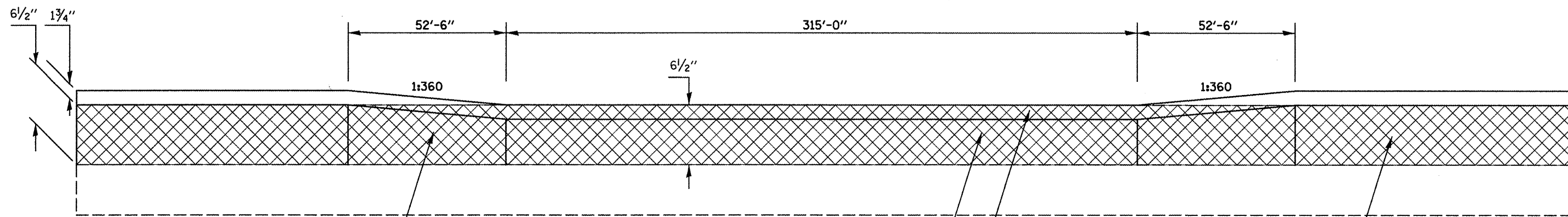


- AREA OF MILLING TRANSITION VARIABLE DEPTH (PROFILE MILL) - 1 3/4"
- HOT-MIX ASPHALT SURFACE REMOVAL, 1 3/4"

POLYMERIZED HOT-MIX ASPHALT SURFACE COURSE,
MIX "D", N105 (196 LBS/SQ YD) ON MAINLINE
& HOT-MIX ASPHALT SHOULDERS (196 LBS/SQ YD)
ON SHOULDERS

DETAIL FOR I-74 MILLING AND PAVING TRANSITIONS UNDER S.N. 057-0127

	STATION	TO	STATION	
I-74 EBDL	1088+37.50		1092+57.50	UNDER S.N. 057-0127



POLYMERIZED HOT-MIX ASPHALT BINDER COURSE,
IL-19.0, FG, N105, (TRANS. FROM 728 LBS/SQ YD
TO 532 LBS/SQ YD) (typ.)

POLYMERIZED HOT-MIX ASPHALT BINDER COURSE,
IL-19.0, FG, N105, (532 LBS/SQ YD)

POLYMERIZED HOT-MIX ASPHALT BINDER COURSE,
IL-19.0, FG, N105, (728 LBS/SQ YD) (typ.)

POLYMERIZED HOT-MIX ASPHALT SURFACE COURSE,
MIX "D", N105 (196 LBS/SQ YD)

- HOT-MIX ASPHALT SURFACE REMOVAL, 6 1/2"

SHEET 8 OF 10

FILE NAME =	USER NAME = hogenbj	DESIGNED - BJH	REVISED -	STATE OF ILLINOIS DEPARTMENT OF TRANSPORTATION	MILLING AND PAVING TRANSITION DETAILS	F.A.I. RTE.	SECTION	COUNTY	TOTAL SHEETS	SHEET NO.	
at\pwwork\psidot\hogenbj\d0158340\0570	550-sht-details.dgn	DRAWN - BJH 8/31/2010	REVISED -			74	(57-2011)21,22IRS-3	McLean	150	83	
	PLOT SCALE = 48.0000' / IN.	CHECKED -	REVISED -			CONTRACT NO. 70550		ILLINOIS FED. AID PROJECT			
	PLOT DATE = 10/21/2010	DATE -	REVISED -			SCALE:	SHEET NO. 8 OF 10 SHEETS	STA.	TO STA.		