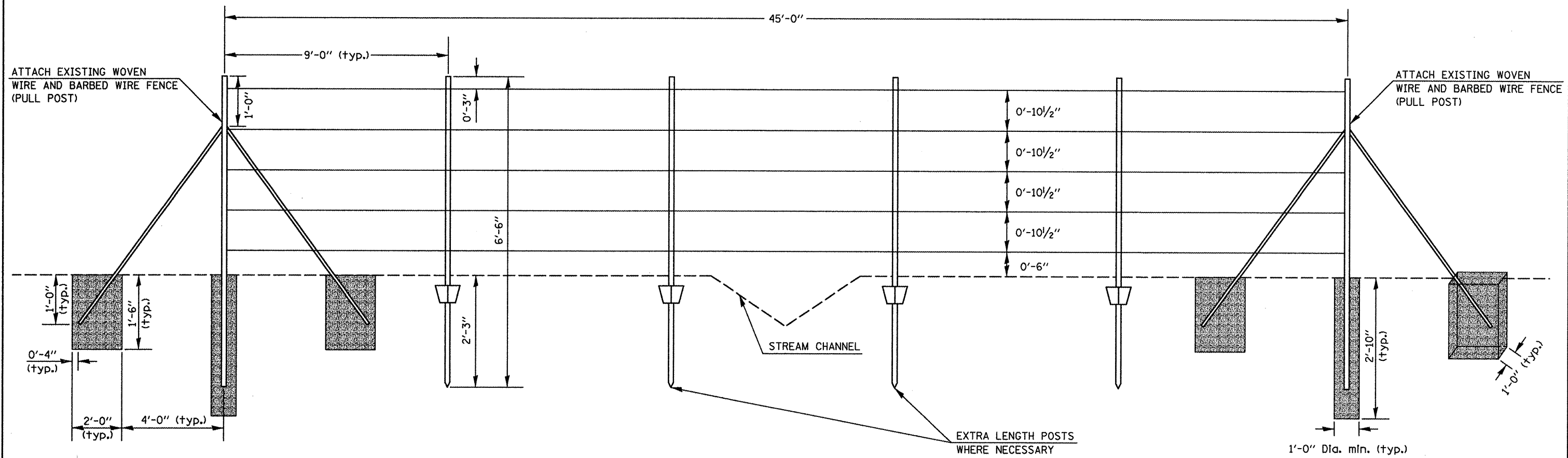


BARBED WIRE FENCE, 5 STRAND DETAIL



NOTES: BARBED WIRES SHALL BE TIED TO EACH POST. BARBED WIRES SHALL BE FASTENED TO THE PULL POSTS BY WRAPPING THE WIRES AROUND THE POST AND TYING BACK ON INSELF WITH NOT LESS THAN 3 TWISTS TIGHTLY WRAPPED.

SEE STANDARD 665001 FOR LIST OF MATERIALS AND ARTICLE 1006.27 AND 1006.28 OF THE STANDARD SPECIFICATIONS FOR MATERIALS REQUIREMENTS.

 PORTLAND CEMENT CONCRETE

FILE NAME =	USER NAME = hogenbj	DESIGNED -	REVISED -
c:\pwwork\pwwork\hogenbj\d0158340\0570550-shr-detail.dgn		DRAWN -	REVISED -
PLOT SCALE = 48.0000 / IN.		CHECKED -	REVISED -
PLOT DATE = 10/21/2010		DATE -	REVISED -

**STATE OF ILLINOIS
DEPARTMENT OF TRANSPORTATION**

BARBED WIRE FENCE, 5 STRAND DETAIL			
SCALE:	SHEET NO.	OF SHEETS	STA. TO STA.

F.A.I. RTE.	SECTION	COUNTY	TOTAL SHEETS	SHEET NO.
74	(57-20(1),21,22)RS-3	McLean	150	86
CONTRACT NO. 70550				
ILLINOIS FED. AID PROJECT				