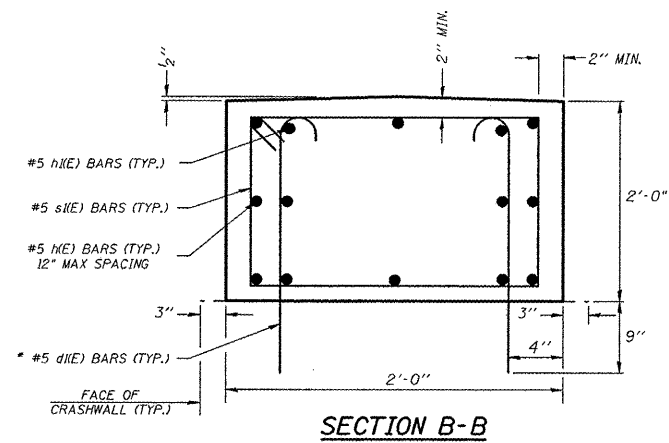
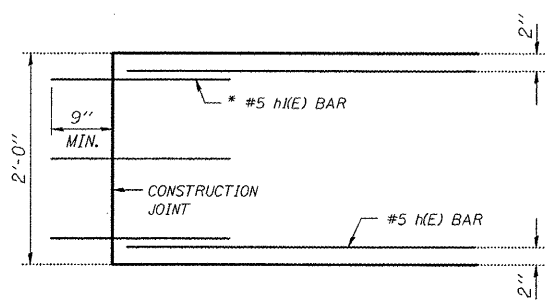
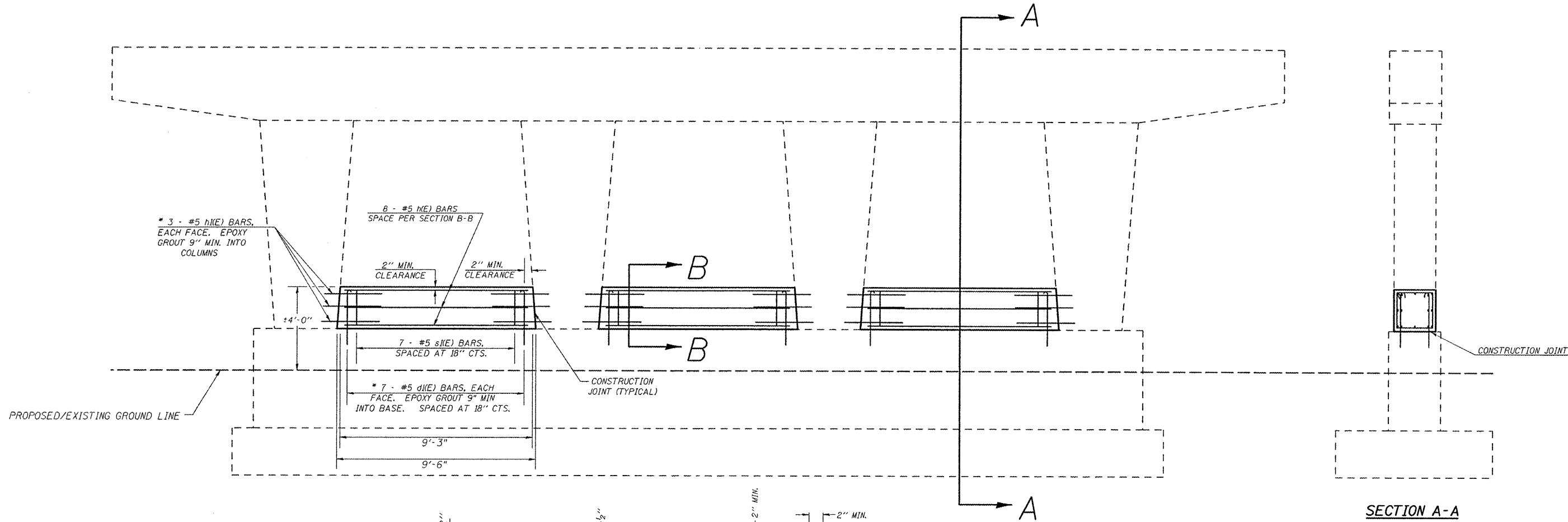


# S.N. 057-0127 SOUTH PIER (PIER #1) CRASHWALL EXTENSION



\* EPOXY GROUT BARS IN 9" MIN. HOLES ACCORDING TO ARTICLE 584 OF THE STANDARD SPECIFICATIONS.

| BILL OF MATERIALS                |       |          |      |        |
|----------------------------------|-------|----------|------|--------|
| BAR                              | SHAPE | NO.      | SIZE | LENGTH |
| d1(E)                            |       | 42       | #5   | 3'-2"  |
| h(E)                             |       | 24       | #5   | 8'-11" |
| h1(E)                            |       | 36       | #5   | 2'-9"  |
| s1(E)                            |       | 21       | #5   | 7'-7"  |
| CONCRETE STRUCTURES              |       | CU. YDS. | 4.2  |        |
| REINFORCEMENT BARS, EPOXY COATED |       | LBS.     | 632  |        |

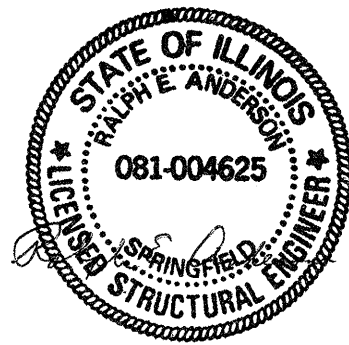
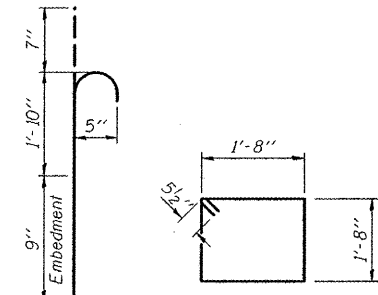
## GENERAL NOTES

PLAN DIMENSIONS AND DETAILS RELATIVE TO EXISTING PLANS ARE SUBJECT TO ROUTINE VARIATIONS. THE CONTRACTOR SHALL FIELD VERIFY EXISTING DIMENSIONS AND DETAILS AFFECTING NEW CONSTRUCTION AND MAKE NECESSARY APPROVED ADJUSTMENTS PRIOR TO CONSTRUCTION OR ORDERING OF MATERIALS. SUCH VARIATIONS SHALL NOT BE CAUSE FOR ADDITIONAL COMPENSATION FOR A CHANGE IN SCOPE OF THE WORK, HOWEVER, THE CONTRACTOR WILL BE PAID FOR THE QUANTITY ACTUALLY FURNISHED BASED UPON THE UNIT PRICE BID FOR THE WORK.

THE COST OF EPOXY GROUTING BARS SHALL BE INCLUDED WITH REINFORCEMENT BARS (EPOXY COATED).

REINFORCEMENT BARS SHALL CONFORM TO THE REQUIREMENTS OF ASTM A706 OR GR 60. SEE SPECIAL PROVISIONS.

REINFORCEMENT BARS DESIGNATED (E) SHALL BE EPOXY COATED.



Expires 11/30/2012

|  |                     |                      |                         |
|--|---------------------|----------------------|-------------------------|
| FILE NAME *  | USER NAME * hoganbj | DESIGNED - BJH       | REVISED - BJH 9/24/2010 |
| cr\pw\work\p\w\d\hoganbj\d\015834\057850-sht-details.dgn |                     | DRAWN - BJH 9/2/2010 | REVISED -               |
| PLOT SCALE = 48.0000" / IN.                              |                     | CHECKED -            | REVISED -               |
| PLOT DATE = 10/21/2010                                   |                     | DATE -               | REVISED -               |

STATE OF ILLINOIS  
DEPARTMENT OF TRANSPORTATION

S.N. 057-0127 SOUTH PIER (PIER #1) CRASHWALL EXTENSION

SCALE: SHEET NO. 1 OF 3 SHEETS STA. TO STA.

|                    |                      |        |                           |           |
|--------------------|----------------------|--------|---------------------------|-----------|
| F.A.I. RTE.        | SECTION              | COUNTY | TOTAL SHEETS              | SHEET NO. |
| 74                 | (57-20(1),21,22)RS-3 | McLean | 150                       | 87        |
| CONTRACT NO. 70550 |                      |        | ILLINOIS FED. AID PROJECT |           |