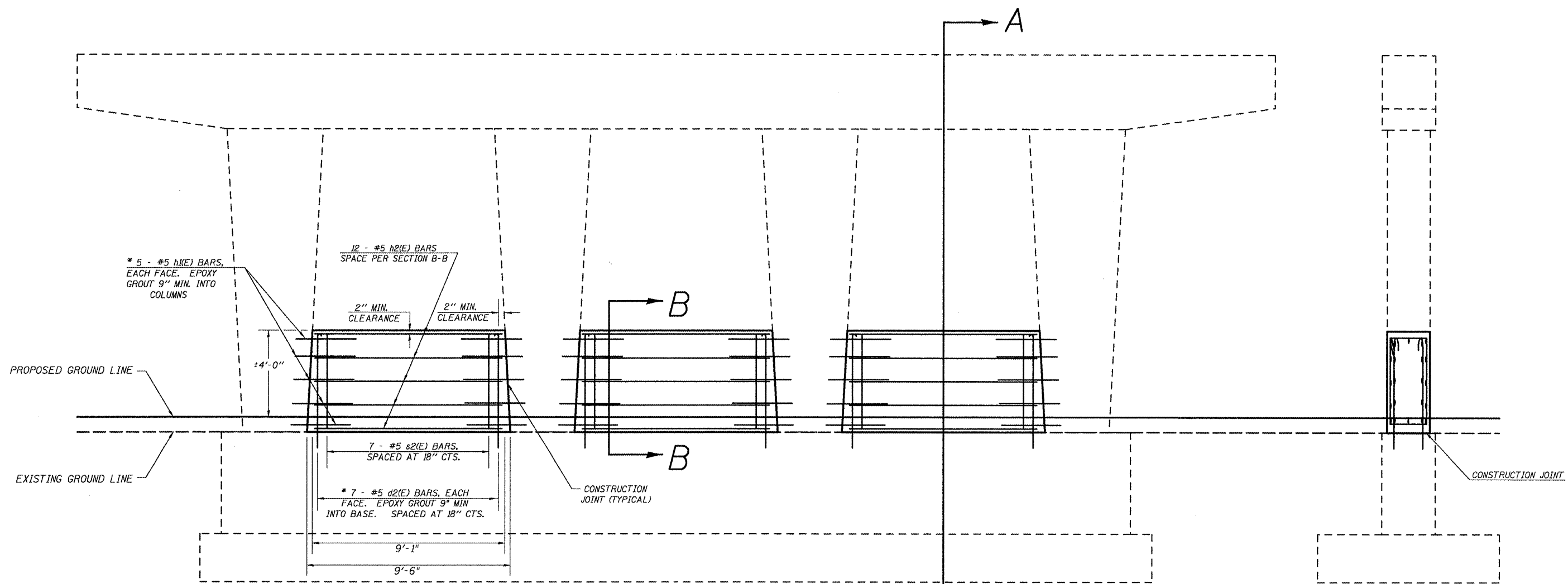
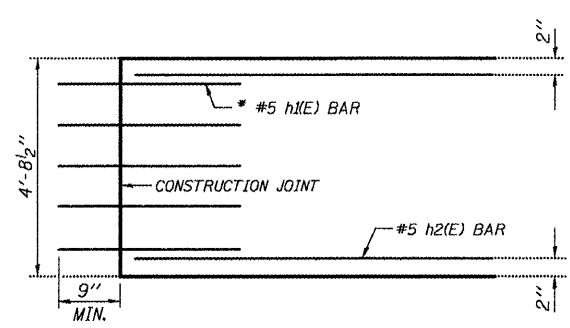


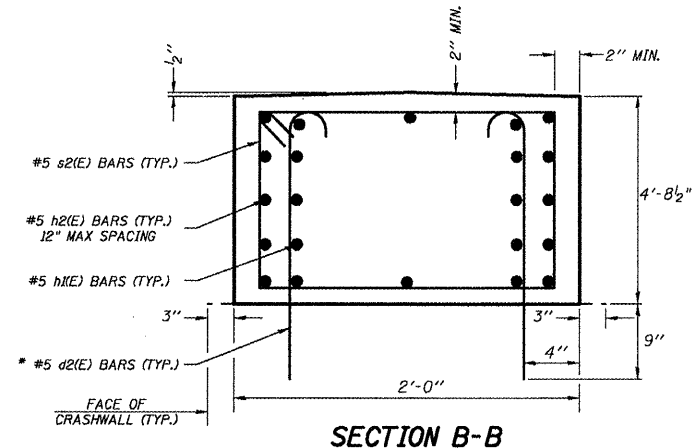
S.N. 057-0127 MEDIAN PIER (PIER #2) CRASHWALL EXTENSION



SECTION A-A



ELEVATION AT COLUMN



SECTION B-B

* EPOXY GROUT BARS IN 9" MIN. HOLES ACCORDING TO ARTICLE 584 OF THE STANDARD SPECIFICATIONS.

GENERAL NOTES

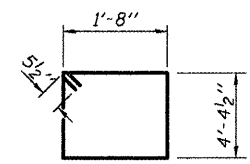
PLAN DIMENSIONS AND DETAILS RELATIVE TO EXISTING PLANS ARE SUBJECT TO ROUTINE VARIATIONS. THE CONTRACTOR SHALL FIELD VERIFY EXISTING DIMENSIONS AND DETAILS AFFECTING NEW CONSTRUCTION AND MAKE NECESSARY APPROVED ADJUSTMENTS PRIOR TO CONSTRUCTION OR ORDERING OF MATERIALS. SUCH VARIATIONS SHALL NOT BE CAUSE FOR ADDITIONAL COMPENSATION FOR A CHANGE IN SCOPE OF THE WORK, HOWEVER, THE CONTRACTOR WILL BE PAID FOR THE QUANTITY ACTUALLY FURNISHED BASED UPON THE UNIT PRICE BID FOR THE WORK.

THE COST OF EPOXY GROUTING BARS SHALL BE INCLUDED WITH REINFORCEMENT BARS (EPOXY COATED).

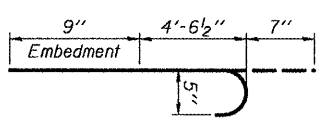
REINFORCEMENT BARS SHALL CONFORM TO THE REQUIREMENTS OF ASTM A706 OR GR 60. SEE SPECIAL PROVISIONS.

REINFORCEMENT BARS DESIGNATED (E) SHALL BE EPOXY COATED.

BILL OF MATERIALS				
BAR	SHAPE	NO.	SIZE	LENGTH
d2(E)		42	#5	5'-10 1/2"
h2(E)		36	#5	8'-9"
h1(E)		60	#5	2'-9"
s2(E)		21	#5	13'-0"
CONCRETE STRUCTURES	CU. YDS.	9.7		
REINFORCEMENT BARS, EPOXY COATED	LBS.	1043		



BAR s2(E)



BAR d2(E)

FILE NAME =	USER NAME = hogenbj	DESIGNED - BJH	REVISED - BJH 9/24/2010
at:\pw_work\pwsdot\hogenbj\d015834\057058-sht-deta1.s.dgn		DRAWN - BJH 9/2/2010	REVISED -
	PLOT SCALE = 1/8" = 1'-0"	CHECKED -	REVISED -
	PLOT DATE = 10/21/2010	DATE -	REVISED -

**STATE OF ILLINOIS
DEPARTMENT OF TRANSPORTATION**

S.N. 057-0127 MEDIAN PIER (PIER #2) CRASHWALL EXTENSION

F.A.I. RTE.	SECTION	COUNTY	TOTAL SHEETS	SHEET NO.
74	(57-2011), 21, 22, IRS-3	McLean	150	88
CONTRACT NO. 70550			ILLINOIS FED. AID PROJECT	

SCALE: SHEET NO. 2 OF 3 SHEETS STA. TO STA.