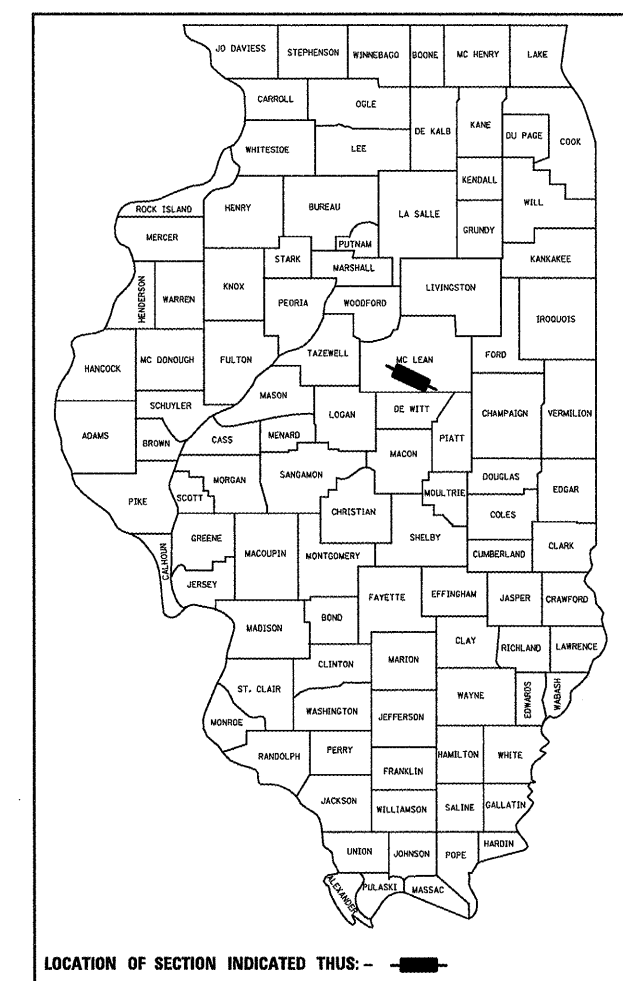


F.A.I. RTE.	SECTION	COUNTY	TOTAL SHEETS	SHEET NO.
74	(57-20(1),21,22)RS-3	MCLEAN	150	1
		ILLINOIS	CONTRACT NO. 70550	

\* 150+1 = 151

D-95-065-06



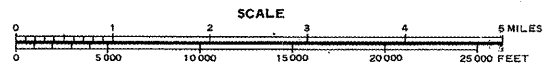
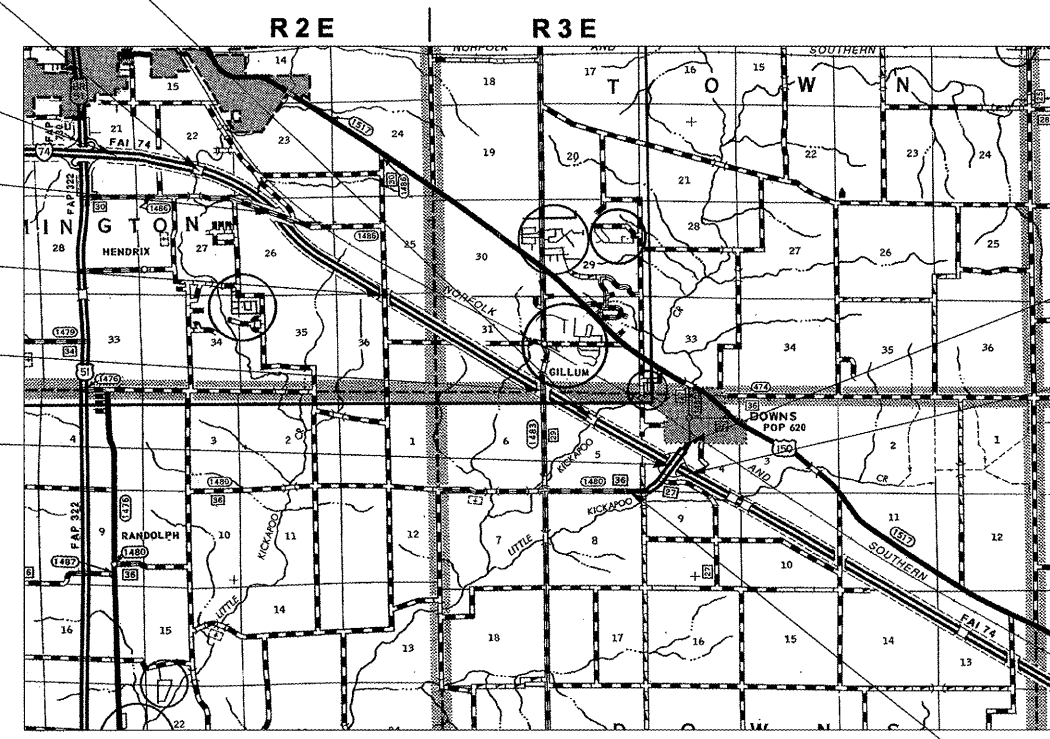
LOCATION OF SECTION INDICATED THUS: - [arrow pointing to McLean County]

STATE OF ILLINOIS  
DEPARTMENT OF TRANSPORTATION  
DIVISION OF HIGHWAYS  
**PROPOSED  
HIGHWAY PLANS**

F.A.I. ROUTE 74 (I-74)  
SECTION (57-20(1),21,22)RS-3  
PROJECT IM-074-5(162)136  
RESURFACING (INT-3RD), PATCHING,  
DRAINAGE, GUARDRAIL, IMPACT ATTENUATORS  
MCLEAN COUNTY

C-95-065-06

E OF US 51 TO CH 36 AT DOWNS



GROSS LENGTH = 37,400.00 FT. = 7.083 MILE  
NET LENGTH = 36,929.08 FT. = 6.994 MILE

FOR INDEX OF SHEETS, SEE SHEET NO. 2  
FOR SUMMARY OF QUANTITIES SEE SHEET NO. 7 THROUGH 13

**CURRENT TRAFFIC DATA**  
ADT = 18,000 (2009) 22,700 (2019)  
20 YR ADT = 27,000  
P.U. & P.C. % = 52.9  
S.U. % = 6.6  
M.U. % = 40.5

**DESIGN DESIGNATION**  
N/A

**BRIDGE OMISSION**  
S.N. 057-0126 WB  
STA. 1037+74.25 TO STA. 1040+25.75  
& S.N. 057-0125 EB  
STA. 1037+74.25 TO STA. 1040+25.25

**BRIDGE OMISSION**  
S.N. 057-0121 WB & S.N. 057-0120 EB  
STA. 779+38.47 TO STA. 781+58.39

F.A.I. 74 SECTION BEGINS:  
STA. 737+00.00

OVERHEAD  
S.N. 057-0122  
STA. 833+08.50

OVERHEAD  
S.N. 057-0123  
STA. 908+01.98

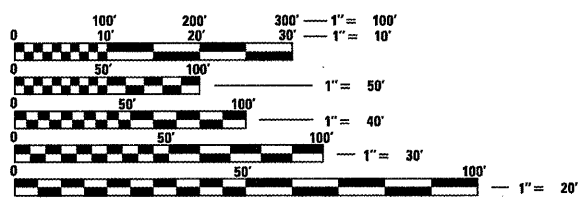
OVERHEAD  
S.N. 057-0124  
STA. 1008+08.36

OVERHEAD  
S.N. 057-0127  
STA. 1090+44.29

C.H. 36 SECTION ENDS:  
STA. 69+50.00

F.A.I. 74 SECTION ENDS:  
STA. 1111+00.00

C.H. 36 SECTION BEGINS:  
STA. 16+92.44



FULL SIZE PLANS HAVE BEEN PREPARED USING STANDARD  
ENGINEERING SCALES. REDUCED SIZED PLANS WILL NOT  
CONFORM TO STANDARD SCALES. IN MAKING MEASUREMENTS  
ON REDUCED PLANS, THE ABOVE SCALES MAY BE USED.

J.U.L.I.E.  
JOINT UTILITY LOCATION INFORMATION FOR EXCAVATION  
1-800-892-0123 (BLOOMINGTON, OLD TOWN  
& DOWNS TOWNSHIPS)  
OR 811

PROJECT ENGINEER: NANCY FASIG  
SQUAD LEADER: BRIAN J. HOGAN  
DESIGNER: BILLY J. MURPHY  
(217)-465-4181

CONTRACT NO. 70550

STATE OF ILLINOIS  
DEPARTMENT OF TRANSPORTATION  
DIVISION OF HIGHWAYS  
SUBMITTED 10/21 2010  
Joseph E. Carow (KAC)  
DEPUTY DIRECTOR OF HIGHWAYS, REGION ENGINEER  
Dec 10 2010  
Scott E. Stitt P.E.  
acting ENGINEER OF DESIGN AND ENVIRONMENT  
Dec 10 2010  
Christine M. Reed  
DIRECTOR OF HIGHWAYS, CHIEF ENGINEER

PRINTED BY THE AUTHORITY  
OF THE STATE OF ILLINOIS

## INDEX OF SHEETS

SHEET NO.	DESCRIPTION	SHEET NO.	DESCRIPTION
1	COVER SHEET	100 - 104	CROSS SECTIONS FOR GUARDRAIL PLACEMENT
2	INDEX OF SHEETS	105 - 107	CROSS SECTIONS FOR ATTEN BASES AT S.N. 057-0122
3	LIST OF HIGHWAY STANDARDS	108 - 110	CROSS SECTIONS FOR ATTEN BASES AT S.N. 057-0123
4 - 5	GENERAL NOTES	111 - 112	CROSS SECTIONS FOR ATTEN BASES AT S.N. 057-0124
6	STRUCTURE INFORMATION	113 - 115	CROSS SECTIONS FOR ATTEN BASES AT S.N. 057-0127
7 - 13	SUMMARY OF QUANTITIES	116	CROSS SECTIONS FOR DRAINAGE IMPR. AT LOCATION #3
14 - 29	TYPICAL CROSS SECTIONS	117 - 120	CROSS SECTIONS FOR DRAINAGE IMPR. AT LOCATION #4
30 - 50	SCHEDULE OF QUANTITIES	121 - 123	CROSS SECTIONS FOR DRAINAGE IMPR. AT LOCATION #5
51 - 73	PLAN SHEETS FOR DRAINAGE STRUCT IMPROVEMENTS	124	CROSS SECTIONS FOR DRAINAGE IMPR. AT LOCATION #6
74 - 75	PAVEMENT MARKING DETAILS FOR C.H. 36	125 - 126	CROSS SECTIONS FOR DRAINAGE IMPR. AT LOCATION #7
76 - 85	MILLING AND PAVING TRANSITION DETAILS	127	CROSS SECTIONS FOR DRAINAGE IMPR. AT LOCATION #8
86	BARBED WIRE FENCE, 5 STRAND DETAIL	128	CROSS SECTIONS FOR DRAINAGE IMPR. AT LOCATION #9
87 - 89	CRASH WALL EXTENSION DETAILS FOR S.N. 057-0127	129 - 130	CROSS SECTIONS FOR DRAINAGE IMPR. AT LOCATION #11
90	PCC PARTIAL DEPTH HMA PATCHING DETAIL	131	CROSS SECTIONS FOR DRAINAGE IMPR. AT LOCATION #12
91	CONCRETE COLLAR DETAIL	132	CROSS SECTIONS FOR DRAINAGE IMPR. AT LOCATION #13
92	IMPACT ATTENUATORS DETAIL	133 - 134	CROSS SECTIONS FOR DRAINAGE IMPR. AT LOCATION #14
93 - 93A	TRAFFIC CONTROL AND PROTECTION RAMPS (PARTIAL AND FULL CLOSURES) DETAIL	135 - 136	CROSS SECTIONS FOR DRAINAGE IMPR. AT LOCATION #15A
94	TRAFFIC CONTROL AND PROTECTION STANDARD 701401 (SPECIAL) DETAIL	137 - 138	CROSS SECTIONS FOR DRAINAGE IMPR. AT LOCATION #15B
95 - 98	PAVEMENT MARKINGS AND MARKERS (RURAL & URBAN)	139 - 141	CROSS SECTIONS FOR DRAINAGE IMPR. AT LOCATION #16
99	PAVEMENT MARKING (INTERSTATE) DETAIL	142 - 143	CROSS SECTIONS FOR DRAINAGE IMPR. AT LOCATION #20
		144 - 148	CROSS SECTIONS FOR DRAINAGE IMPR. AT LOCATION #21
		149 - 150	CROSS SECTIONS FOR DRAINAGE IMPR. AT LOCATION #22

FILE NAME =	USER NAME = hoganbj	DESIGNED -	REVISED -	<b>STATE OF ILLINOIS DEPARTMENT OF TRANSPORTATION</b>	<b>INDEX OF SHEETS</b>	F.A.I. RTE.	SECTION	COUNTY	TOTAL SHEETS	SHEET NO.
ci:\pwork\pwork\hoganbj\d0158340\057059-shr-genote.dgn		DRAWN -	REVISED -			74	(57-20(1),21,22)RS-3	MCLEAN	150	2
PLOT SCALE = 100.0000' / IN.		CHECKED -	REVISED -			CONTRACT NO. 70550				
PLOT DATE = 10/20/2010		DATE -	REVISED -			ILLINOIS FED. AID PROJECT				
						SCALE:	SHEET NO. 1 OF 1 SHEETS	STA.	TO STA.	

## LIST OF HIGHWAY STANDARDS

STANDARD NO.	DESCRIPTION	STANDARD NO.	DESCRIPTION
000001 - 06	STANDARD SYMBOLS, ABBREVIATIONS, AND PATTERNS	701006 - 03	OFF-ROAD OPERATIONS, 2L, 2W, 15' (4.5 m) TO 24" (600 mm) FROM PAVEMENT EDGE
001001 - 02	AREAS OF REINFORCEMENT BARS	701101 - 02	OFF-ROAD OPERATIONS, MULTILANE, 15' (4.5 m) TO 24" (600 mm) FROM PAVEMENT EDGE
001006	DECIMAL OF AN INCH AND OF A FOOT	701106 - 02	OFF-ROAD OPERATIONS, MULTILANE, MORE THAN 15' (4.5 m) AWAY
280001 - 05	TEMPORARY EROSION CONTROL SYSTEMS	701201 - 04	LANE CLOSURE, 2L, 2W, DAY ONLY, FOR SPEEDS >= 45 MPH
420001 - 07	PAVEMENT JOINTS	701301 - 04	LANE CLOSURE, 2L, 2W, SHORT TIME OPERATIONS
420701 - 02	PAVEMENT FABRIC	701306 - 03	LANE CLOSURE, 2L, 2W, SLOW MOVING OPERATIONS DAY ONLY, FOR SPEEDS >= 45 MPH
442001 - 04	CLASS A PATCHES	701311 - 03	LANE CLOSURE, 2L, 2W, MOVING OPERATIONS - DAY ONLY
442101 - 07	CLASS B PATCHES	701400 - 05	APPROACH TO LANE CLOSURE, FREEWAY/EXPRESSWAY
442201 - 03	CLASS C AND D PATCHES	701401 - 06	LANE CLOSURE, FREEWAY/EXPRESSWAY
542301 - 03	PRECAST REINFORCED CONCRETE FLARED END SECTION	701406 - 06	LANE CLOSURE, FREEWAY/EXPRESSWAY, DAY OPERATIONS ONLY
542546 - 01	FLUSH INLET BOX FOR MEDIAN	701411 - 07	LANE CLOSURE, MULTILANE, AT ENTRANCE OR EXIT RAMP, FOR SPEEDS >= 45 MPH
601101 - 01	CONCRETE HEADWALL FOR PIPE DRAIN	701426 - 04	LANE CLOSURE, MULTILANE, INTERMITTENT OR MOVING OPERATION, FOR SPEEDS >= 45 MPH
630001 - 09	STEEL PLATE BEAM GUARDRAIL	701501 - 06	URBAN LANE CLOSURE, 2L, 2W, UNDIVIDED
630301 - 05	SHOULDER WIDENING FOR TYPE 1(SPECIAL) GUARDRAIL TERMINALS	701901 - 01	TRAFFIC CONTROL DEVICES
631011 - 07	TRAFFIC BARRIER TERMINAL, TYPE 2	780001 - 02	TYPICAL PAVEMENT MARKINGS
631033 - 04	TRAFFIC BARRIER TERMINAL, TYPE 6B	781001 - 03	TYPICAL APPLICATIONS OF RAISED REFLECTIVE PAVEMENT MARKINGS
635006 - 03	REFLECTOR AND TERMINAL MARKER PLACEMENT		
635011 - 02	REFLECTOR MARKER AND MOUNTING DETAILS		
642001 - 01	SHOULDER RUMBLE STRIPS		
701001 - 02	OFF-ROAD OPERATIONS, 2L, 2W, MORE THAN 15' (4.5 m) AWAY		

FILE NAME =	USER NAME = hogenbj	DESIGNED -	REVISED -	<b>STATE OF ILLINOIS DEPARTMENT OF TRANSPORTATION</b>	<b>LIST OF HIGHWAY STANDARDS</b>	F.A.I. RTE.	SECTION	COUNTY	TOTAL SHEETS	SHEET NO.
ca:\pwwork\pwwork\hogenbj\d0158340\0570550-sh1-gennote.dgn	DRAWN -	REVISED -	74			(57-20(1),21,22)RS-3	MCLEAN	150	3	
PLOT SCALE = 100.0000 "/ IN.	CHECKED -	REVISED -	CONTRACT NO. 70550							
PLOT DATE = 10/20/2010	DATE -	REVISED -	SCALE:			SHEET NO. 1 OF 1 SHEETS	STA.	TO STA.	ILLINOIS FED. AID PROJECT	

## GENERAL NOTES

G.N.-100  
ENGLISH UNITS OF MEASUREMENT SHALL GOVERN OVER AND SUPERSEDE ANY METRIC UNITS SHOWN IN THIS CONTRACT. WHERE INCLUDED, METRIC UNITS ARE FOR INFORMATION ONLY.

G.N.-105.09A  
ALL ELEVATIONS SHOWN IN THE PLANS ARE BASED ON NORTH AMERICAN VERTICAL DATUM OF 1988. (NAVD 88)

G.N.-107.12  
THE NAME, ADDRESS AND TELEPHONE NUMBER OF THE LOCAL RAILROAD CONTACT IS:

Ms. Debbie Adams  
Division Office Manager-Illinois Division  
Norfolk Southern Railway Company  
1735 East Condit Street  
Decatur, IL. 62521  
(217) 425-2042

SPECIAL ATTENTION IS CALLED TO ARTICLE 107.12 REGARDING RAILROAD FLAGGERS. THE NAME, ADDRESS AND TELEPHONE NUMBER OF THE RAILROAD CONTACT PERSON FOR FLAGGERS IS:

Mr. David Neumann  
Track Supervisor  
Norfolk Southern Railway Company  
Illinois Division  
2100 West College  
Normal, IL 61761  
(217) 714-2546

G.N.-201  
TREES THAT INTERFERE WITH THE CONSTRUCTION OPERATIONS SHALL BE REMOVED AS DIRECTED BY THE ENGINEER. ANY TREE DUE TO ITS LOCATION AND DEEMED SUITABLE FOR SAVING BY THE ENGINEER SHALL BE PROTECTED DURING CLEARING AND SUBSEQUENT CONSTRUCTION OPERATIONS.

G.N.-250C-SPL  
SEEDING, CLASS 7 AND MULCH, METHOD 2 IS INCLUDED IN THIS CONTRACT TO SEED NEW EARTHWORK LOCATIONS DURING TIME PERIODS WHEN PERMANENT SEEDING IS NOT ALLOWED. SOME OR ALL OF THE CLASS 7 SEEDING AND MULCH WILL BE DELETED IF IT IS POSSIBLE TO PLACE PERMANENT SEEDING ON EARTH SHOULDERS AT THE TIME OF THEIR COMPLETION.

G.N.-406  
THE QUANTITIES INCLUDED IN THE PLANS FOR HOT-MIX ASPHALT RESURFACING ARE INTENDED TO GIVE THE COVERAGE SHOWN ON THE TYPICAL CROSS SECTIONS. IT IS NOT INTENDED TO INCREASE THE THICKNESS OF THE HOT-MIX ASPHALT MIXTURE IN ORDER TO USE ALL OF THE QUANTITIES INCLUDED IN THE CONTRACT.

G.N.-406.05b  
ALL LEVELING BINDER OR BINDER SHALL BE GIVEN A FOG COAT OF PRIME BEFORE THE SURFACE COURSE IS PLACED WHEN DIRECTED BY THE ENGINEER.

THE FOG COAT WILL BE PAID FOR AT THE CONTRACT UNIT PRICE PER GALLON FOR BITUMINOUS MATERIAL (PRIME COAT) AND NO ADDITIONAL COMPENSATION WILL BE ALLOWED.

G.N.-406.10  
FOR MULTILANE RESURFACING

WHEN BEGINNING THE RESURFACING WITH NEW MIXTURES FOR LEVELING BINDER, BINDER COURSE, AND SURFACE COURSE MIXTURES, THE WORK WILL BE CONFINED TO THE INSIDE TRAFFIC LANE (PASSING LANE) FIRST. THE WORK WILL REMAIN ON THE INSIDE LANE UNTIL THE MIX HAS BEEN ADJUSTED AND APPROVED BY THE ENGINEER BEFORE ANY RESURFACING IS ALLOWED ON THE OUTSIDE (DRIVING) TRAFFIC LANE(S).

ANY DELAYS OR INCONVENIENCES CAUSED THE CONTRACTOR IN COMPLYING WITH THIS REQUIREMENT WILL BE CONSIDERED INCIDENTAL TO THE VARIOUS HOT-MIX ASPHALT PAY ITEMS, AS SHOWN IN THE CONTRACT, AND NO ADDITIONAL COMPENSATION WILL BE ALLOWED.

G.N.-406H -- MIXTURE REQUIREMENTS Contract: 70550

Location	FAI 74 MAINLINE	FAI 74 MAINLINE	FAI 74 MAINLINE	FAI 74 MAINLINE	FAI 74 SHOULDER
Mixture Use	POLY BINDER BOTTOM LIFT	POLY, FG BINDER BOTTOM LIFT	POLY SURFACE TOP LIFT	POLY SURFACE BOTTOM LIFT	SURFACE SHLD BOTTOM LIFT >= 2 1/4"
AC/PG	SBS PG 70-22	SBS PG 70-22	SBS PG 70-22	SBS PG 70-22	PG 64-22
RAP % (Max)	10	10	10	10	10
Design Air Voids	4.0% @ Ndes=105	4.0% @ Ndes=105	4.0% @ Ndes=105	4.0% @ Ndes=105	4% @ Ndes=90
Mix Comp(Gradation)	IL 19.0	IL 19.0 F.G.	IL 9.5	IL 9.5	IL 9.5
Friction Aggregate	N.A.	N.A.	MIX "D"	MIX "C"	MIX "C"

Location	FAI 74 SHOULDER	C.H. 36 MAINLINE	C.H. 36 MAINLINE	C.H. 36 SHOULDER
Mixture Use	SHOULDER TOP LIFT < 2 1/4"	P.D. PATCH, SURFACE, & INCIDENTAL (FAI 74)	CLASS D PATCH	SHOULDER TOP LIFT < 2 1/4"
AC/PG	PG 64-22	PG 64-22	PG 64-22	PG 64-22
RAP % (Max)	30	15	25	30
Design Air Voids	4.0% @ Ndes=30	4.0% @ Ndes=50	4.0% @ Ndes=50	4.0% @ Ndes=30
Mix Comp(Gradation)	IL 9.5L	IL 9.5	IL 19.0	IL 9.5L
Friction Aggregate	MIX "C"	MIX "C"	N.A.	MIX "C"

FILE NAME =	USER NAME = hoganbj	DESIGNED -	REVISED -	<b>STATE OF ILLINOIS DEPARTMENT OF TRANSPORTATION</b>	<b>GENERAL NOTES</b>	F.A.I. RTE.	SECTION	COUNTY	TOTAL SHEETS	SHEET NO.
ca:\work\pwidat\hoganbj\0158340\0570850-sh\genote.dgn	DRAWN -	REVISED -	74			157-2011,21,22RS-3	MCLEAN	150	4	
PLOT SCALE = 100.0000 "/ IN.	CHECKED -	REVISED -	CONTRACT NO. 70550							
PLOT DATE = 10/20/2010	DATE -	REVISED -	ILLINOIS FED. AID PROJECT							
					SCALE:	SHEET NO. 1 OF 2 SHEETS	STA.	TO STA.		

## GENERAL NOTES

**G.N.-440A**

THE HOT-MIX ASPHALT SURFACE REMOVAL (COLD MILLING) ON THIS JOB IS INTENDED TO TRUE UP THE EXISTING PAVEMENT SURFACE. BECAUSE THIS OPERATION REQUIRES CAREFUL JUDGMENT TO ACHIEVE THE DESIRED RESULT AND AVOID EXCESSIVE REMOVAL, THE DISTRICT HAS PREPARED A VIDEOTAPE TO ILLUSTRATE THE DESIRED OPERATION.

THIS VIDEOTAPE IS AVAILABLE FOR REVIEW IF THE CONTRACTOR IS NOT FAMILIAR WITH THE DISTRICT INTENT.

**G.N.-442B -- PATCHING SCHEDULES**

THE PATCHING SCHEDULES INCLUDED IN THE PLANS REPRESENT THE BEST INFORMATION AVAILABLE AT THE TIME OF COMPLETION OF THE PLANS FOR LETTING. VARIATIONS IN LOCATION AND SIZES OF BOTH FULL-DEPTH AND PARTIAL-DEPTH PATCHES MAY OCCUR.

**G.N.-482**

ALL MATERIAL PLACED AS HOT-MIX ASPHALT SHOULDERS SHALL BE COMPACTED FROM 94.0 TO 98.4 PERCENT OF THE MAXIMUM THEORETICAL DENSITY. THIS REQUIREMENT SHALL APPLY TO IL 9.5L GRADATION SHOULDER MIXES AND OTHER MIXES (BOTTOM LIFT OF SHOULDERS). THIS MAXIMUM DENSITY SHALL BE DETERMINED FROM THE MOVING AVERAGE OF FOUR TESTS AS IN OTHER QC/QA TESTING. A NUCLEAR GAUGE DENSITY/CORE CORRELATION SHALL BE PERFORMED FOR THE IL 9.5L MIXES AND OTHER MIXES USING STANDARD CORRELATION PROCEDURES.

**G.N.-542**

BEFORE ORDERING PIPE CULVERTS, THE CONTRACTOR SHALL CONSULT THE ENGINEER FOR THE EXACT LENGTHS.

**G.N.-609**

PRIOR TO ROUTING TRAFFIC ONTO THE SHOULDERS AS SHOWN IN THE STAGING PLANS, THE CONTRACTOR SHALL SECURE THE GRATINGS ON SHOULDER INLETS AS DIRECTED BY THE ENGINEER. THIS WORK WILL BE PAID FOR ACCORDING TO ARTICLE 109.04.

**G.N.-703A**

SHORT TERM PAVEMENT MARKING SHALL BE APPLIED TO THE PAVEMENT AFTER ANY OF THE FOLLOWING: COLD MILLING AND/OR PLACING BITUMINOUS MATERIALS (PRIME COAT), LEVELING BINDER (MACHINE METHOD), BINDER AND SURFACE COURSES. SHORT TERM PAVEMENT MARKING PLACED ON THE SURFACE, SHALL COINCIDE WITH THE FINAL PAVEMENT STRIPING. SHORT TERM PAVEMENT MARKING PLACED PRIOR TO THE SURFACE SHALL COINCIDE WITH THE EXISTING PAVEMENT MARKINGS. USE 4 FEET PER 40 FEET (OR 10% PER STATION).

**G.N.-781-SPL**

RAISED REFLECTIVE PAVEMENT MARKERS SHALL BE PLACED IN ACCORDANCE WITH STANDARD 781001, AND THE DETAILS SHOWN IN THE PLANS. IF THERE IS ANY DISCREPANCY BETWEEN THE STANDARD AND THE DETAILS IN THE PLANS, THE DETAILS IN THE PLANS SHALL GOVERN. THE FINAL PAVEMENT MARKINGS SHALL BE IN PLACE PRIOR TO PLACING THE RAISED REFLECTIVE PAVEMENT MARKERS. THE RAISED REFLECTIVE PAVEMENT MARKERS ON CH 36 SHALL BE PLACED MIDWAY IN THE 30 FOOT (9 m) SPACE BETWEEN THE DASHED CENTERLINE STRIPES (WHEN APPLICABLE). THE RAISED REFLECTIVE PAVEMENT MARKERS ON I-74 SHALL BE PLACED TWO (EACH) AT EVEN SPACING IN THE 30 FOOT (9 m) SPACE BETWEEN THE DASHED CENTERLINE STRIPES.

**G.N.-1004.01**

COARSE AGGREGATE GRADATION CA-10 MAY BE USED WHENEVER COARSE AGGREGATE CA-6 IS SPECIFIED IN THE STANDARD SPECIFICATIONS.

NO COMMITMENTS

FILE NAME *	USER NAME = hoganbj	DESIGNED -	REVISED -	<b>STATE OF ILLINOIS DEPARTMENT OF TRANSPORTATION</b>	<b>GENERAL NOTES</b>	F.A.I. RTE.	SECTION	COUNTY	TOTAL SHEETS	SHEET NO.	
ci:\pw\work\p\idot\hoganbj\d0158340\057959-sht\gennote.dgn	DRAWN -	REVISED -	74			(57-20(1),21,22)RS-3	MCLEAN	150	5		
PLOT SCALE = 100.0000' / IN.	CHECKED -	REVISED -	CONTRACT NO. 70550			ILLINOIS FED. AID PROJECT					
PLOT DATE = 10/20/2010	DATE -	REVISED -	SCALE:			SHEET NO. 2 OF 2 SHEETS	STA.	TO STA.			

## STRUCTURE INFORMATION

### HMA RESURFACING (MAINLINE)

S.N. 057-8553 - STA. 730+00  
 S.N. 057-8554 - STA. 770+70  
 S.N. 057-8555 - STA. 814+72  
 S.N. 057-8556 - STA. 858+38  
 S.N. 057-8558 - STA. 895+62  
 S.N. 057-8560 - STA. 932+47  
 S.N. 057-8561 - STA. 945+17.3  
 S.N. 057-8562 - STA. 967+38  
 S.N. 057-8563 - STA. 990+56.5

### STRUCTURE OMISSIONS (OVERHEADS)

SN 057-0122  
 SN 057-0123  
 SN 057-0124

### PAVING OMISSIONS (MAINLINE)

S.N. 057-0120 STA. 779+38.47 TO 781+58.39 (EB)  
 S.N. 057-0121 STA. 779+38.47 TO 781+58.39 (WB)  
 S.N. 057-0125 STA. 1037+74.25 TO 1040+25.25 (EB)  
 S.N. 057-0126 STA. 1037+74.25 TO 1040+25.75 (WB)

### PAVING OMISSIONS (CH-36)

S.N. 057-0127 STA. 48+84.95 TO 51+15.05

### MATERIAL TRANSFER DEVICE (MAINLINE)

#### UNLOADED ONLY

S.N. 057-0047 & -0048 - STA. 719+63.58  
 S.N. 057-8553 - STA. 730+00  
 S.N. 057-8554 - STA. 770+70  
 S.N. 057-0120 & -0121 - STA. 780+50  
 S.N. 057-8555 - STA. 814+72  
 S.N. 057-8556 - STA. 858+38  
 S.N. 057-8558 - STA. 895+62  
 S.N. 057-8560 - STA. 932+47  
 S.N. 057-8561 - STA. 945+17.3  
 S.N. 057-8562 - STA. 967+38  
 S.N. 057-8563 - STA. 990+56.5  
 S.N. 057-0125 & -0126 - STA. 1039+00  
 S.N. 057-0127 - STA. 1090+44.29

FILE NAME = c:\pwork\pwork\hoganbj\d0158340\057059-shr-gennote.dgn	USER NAME = hoganbj	DESIGNED -	REVISED -	<b>STATE OF ILLINOIS DEPARTMENT OF TRANSPORTATION</b>	<b>GENERAL NOTES</b>	F.A.I. RTE.	SECTION	COUNTY	TOTAL SHEETS	SHEET NO.
PLOT SCALE = 100.0000 ' / IN.	PLOT DATE = 10/20/2010	DRAWN -	CHECKED -	REVISED -	REVISED -	74	(57-20(1),21,22)RS-3	MCLEAN	150	6
					SCALE: SHEET NO. 2 OF 2 SHEETS					CONTRACT NO. 70550
					STA. TO STA.	ILLINOIS FED. AID PROJECT				

LOCATION OF WORK:

FAI 74  
RURAL  
INTERSTATE  
MCLEAN COUNTY  
STA. 737+00 TO STA. 1111+00  
E OF US 51 TO CH 36 AT DOWNS

FUNDING BREAKOUT:  
CONSTRUCTION TYPE CODE:

90% FEDERAL / 10% STATE  
0005

CODE NO.	ITEM	UNIT	TOTAL QUANTITY
20200100	EARTH EXCAVATION	CU YD	280.0
20400800	FURNISHED EXCAVATION	CU YD	600.0
21400100	GRADING AND SHAPING DITCHES	FOOT	1,025.0
* 25000210	SEEDING, CLASS 2A	ACRE	3.0
* 25000350	SEEDING, CLASS 7	ACRE	3.0
* 25000400	NITROGEN FERTILIZER NUTRIENT	POUND	270.0
* 25000500	PHOSPHORUS FERTILIZER NUTRIENT	POUND	270.0
* 25000600	POTASSIUM FERTILIZER NUTRIENT	POUND	270.0
* 25100115	MULCH, METHOD 2	ACRE	6.0
28000250	TEMPORARY EROSION CONTROL SEEDING	POUND	300.0
28000305	TEMPORARY DITCH CHECKS	FOOT	325.0
28000500	INLET AND PIPE PROTECTION	EACH	20.0
28100107	STONE RIPRAP, CLASS A4	SQ YD	530.0
28200200	FILTER FABRIC	SQ YD	530.0
40600100	BITUMINOUS MATERIALS (PRIME COAT)	GALLON	33,000.0
40600300	AGGREGATE (PRIME COAT)	TON	655.0
40600895	CONSTRUCTING TEST STRIP	EACH	3.0
40600982	HOT-MIX ASPHALT SURFACE REMOVAL - BUTT JOINT	SQ YD	1,800.0
40600990	TEMPORARY RAMP	SQ YD	1,600.0
40603244	POLYMERIZED HOT-MIX ASPHALT BINDER COURSE, IL-19.0, FG, N105	TON	21,800.0

\* DENOTES SPECIALTY ITEM

FILE NAME = c:\p\work\p\ridot\hoganbj\d0158340\0570550-sht-500.dgn	USER NAME = hoganbj	DESIGNED - BJH	REVISED -	<b>STATE OF ILLINOIS DEPARTMENT OF TRANSPORTATION</b>	<b>SUMMARY OF QUANTITIES</b>			F.A.I. RTE.	SECTION	COUNTY	TOTAL SHEETS	SHEET NO.
		DRAWN - BJH 10/12/2010	REVISED -					74	(57-20(1),21,22)RS-3	MCLEAN	150	7
	PLOT SCALE = 100.0000' / IN.	CHECKED -	REVISED -		SCALE: _____	SHEET NO. 1 OF 7 SHEETS	STA. _____ TO STA. _____	CONTRACT NO. 70550		ILLINOIS FED. AID PROJECT		
	PLOT DATE = 10/20/2010	DATE -	REVISED -									

LOCATION OF WORK:

FAI 74  
RURAL  
INTERSTATE  
MCLEAN COUNTY  
STA. 737+00 TO STA. 1111+00  
E OF US 51 TO CH 36 AT DOWNS

FUNDING BREAKOUT:  
CONSTRUCTION TYPE CODE:

90% FEDERAL / 10% STATE  
0005

CODE NO.	ITEM	UNIT	TOTAL QUANTITY
40603245	POLYMERIZED HOT-MIX ASPHALT BINDER COURSE, IL-19.0, N105	TON	2,860.0
40603310	HOT-MIX ASPHALT SURFACE COURSE, MIX "C", N50	TON	1,325.0
40603320	HOT-MIX ASPHALT SURFACE COURSE, MIX "C", N90	TON	2,715.0
40603525	POLYMERIZED HOT-MIX ASPHALT SURFACE COURSE, MIX "C", N105	TON	1,750.0
40603550	POLYMERIZED HOT-MIX ASPHALT SURFACE COURSE, MIX "D", N105	TON	13,700.0
40800010	BITUMINOUS MATERIALS (PRIME COAT)	GALLON	75.0
40800030	AGGREGATE (PRIME COAT)	TON	2.0
40800050	INCIDENTAL HOT-MIX ASPHALT SURFACING	TON	75.0
44000155	HOT-MIX ASPHALT SURFACE REMOVAL, 1 1/2"	SQ YD	94,000.0
44000156	HOT-MIX ASPHALT SURFACE REMOVAL, 1 3/4"	SQ YD	4,625.0
44000158	HOT-MIX ASPHALT SURFACE REMOVAL, 2 1/4"	SQ YD	21,550.0
44000162	HOT-MIX ASPHALT SURFACE REMOVAL, 3 1/4"	SQ YD	565.0
44000167	HOT-MIX ASPHALT SURFACE REMOVAL, 4 1/2"	SQ YD	1,035.0
44000169	HOT-MIX ASPHALT SURFACE REMOVAL, 5"	SQ YD	11,400.0
44000171	HOT-MIX ASPHALT SURFACE REMOVAL, 5 1/2"	SQ YD	42,500.0
44000172	HOT-MIX ASPHALT SURFACE REMOVAL, 5 3/4"	SQ YD	6,575.0
44000175	HOT-MIX ASPHALT SURFACE REMOVAL, 6 1/2"	SQ YD	9,850.0
44000182	HOT-MIX ASPHALT SURFACE REMOVAL, 8"	SQ YD	5,900.0
44004000	PAVED DITCH REMOVAL	FOOT	100.0
44200513	CLASS A PATCHES, TYPE I, 7 INCH	SQ YD	5.0

\* DENOTES SPECIALTY ITEM

FILE NAME =	USER NAME = hoganbj	DESIGNED - BJH	REVISED -	<b>STATE OF ILLINOIS DEPARTMENT OF TRANSPORTATION</b>	<b>SUMMARY OF QUANTITIES</b>			F.A.I. RTE.	SECTION	COUNTY	TOTAL SHEETS	SHEET NO.
ct:\pwork\pwork\hoganbj\d0158340\057059-sh1-S00.dgn	DRAWN - BJH 10/12/2010	REVISED -						74	(57-20(1),21,22)RS-3	MCLEAN	150	8
PLOT SCALE = 100.0000' / IN.	CHECKED -	REVISED -			SCALE: _____ SHEET NO. 2 OF 7 SHEETS STA. _____ TO STA. _____			CONTRACT NO. 70550				
PLOT DATE = 10/20/2010	DATE -	REVISED -			ILLINOIS FED. AID PROJECT							



LOCATION OF WORK:

FAI 74  
RURAL  
INTERSTATE  
MCLEAN COUNTY  
STA. 737+00 TO STA. 1111+00  
E OF US 51 TO CH 36 AT DOWNS

FUNDING BREAKOUT:  
CONSTRUCTION TYPE CODE:

90% FEDERAL / 10% STATE  
0005

CODE NO.	ITEM	UNIT	TOTAL QUANTITY
44200517	CLASS A PATCHES, TYPE II, 7 INCH	SQ YD	50.0
44200521	CLASS A PATCHES, TYPE III, 7 INCH	SQ YD	20.0
44200523	CLASS A PATCHES, TYPE IV, 7 INCH	SQ YD	170.0
44200610	CLASS A PATCHES, TYPE II, 13 INCH	SQ YD	50.0
44200614	CLASS A PATCHES, TYPE IV, 13 INCH	SQ YD	70.0
44200970	CLASS B PATCHES, TYPE II, 10 INCH	SQ YD	305.0
44200976	CLASS B PATCHES, TYPE IV, 10 INCH	SQ YD	100.0
44201031	CLASS B PATHCES, TYPE II, 15 INCH	SQ YD	155.0
44201063	CLASS B PATCHES, TYPE II, 18 INCH	SQ YD	40.0
44201294	CLASS B PATCH - EXPANSION JOINT	FOOT	25.0
44201299	DOWEL BARS 1 1/2"	EACH	1,235.0
44201765	CLASS D PATCHES, TYPE II, 10 INCH	SQ YD	710.0
44201769	CLASS D PATCHES, TYPE III, 10 INCH	SQ YD	125.0
44201771	CLASS D PATCHES, TYPE IV, 10 INCH	SQ YD	205.0
44213000	PATCHING REINFORCEMENT	SQ YD	365.0
44213100	PAVEMENT FABRIC	SQ YD	100.0
44213200	SAW CUTS	FOOT	4,350.0
44213204	TIE BARS 3/4"	EACH	155.0
48102100	AGGREGATE WEDGE SHOULDER, TYPE B	TON	5,400.0
48203100	HOT-MIX ASPHALT SHOULDERS	TON	13,900.0

\* DENOTES SPECIALTY ITEM

FILE NAME = c:\pwork\pwidot\hogenbj\d0158340\0570590-sh1-500.dgn	USER NAME = hogenbj	DESIGNED - BJH	REVISED -	<b>STATE OF ILLINOIS DEPARTMENT OF TRANSPORTATION</b>	<b>SUMMARY OF QUANTITIES</b>				F.A.I. RTE. 74	SECTION (57-20(D),21,22)RS-3	COUNTY MCLEAN	TOTAL SHEETS 150	SHEET NO. 9
		DRAWN - BJH 10/12/2010	REVISED -		SCALE: _____	SHEET NO. 3 OF 7 SHEETS	STA. _____	TO STA. _____	CONTRACT NO. 70550				
		PLOT SCALE = 100.0000 "/ IN.	CHECKED -						ILLINOIS FED. AID PROJECT				
		PLOT DATE = 10/20/2010	DATE -										

LOCATION OF WORK:

FAI 74  
RURAL  
INTERSTATE  
MCLEAN COUNTY  
STA. 737+00 TO STA. 1111+00  
E OF US 51 TO CH 36 AT DOWNS

FUNDING BREAKOUT:  
CONSTRUCTION TYPE CODE:

90% FEDERAL / 10% STATE  
0005

CODE NO.	ITEM	UNIT	TOTAL QUANTITY
50105220	PIPE CULVERT REMOVAL	FOOT	16.0
50300225	CONCRETE STRUCTURES	CU YD	16.0
50800205	REINFORCEMENT BARS, EPOXY COATED	POUND	2,129.0
54002010	EXPANSION BOLTS 1/2 INCH	EACH	40.0
54213669	PRECAST REINFORCED CONCRETE FLARED END SECTIONS 24"	EACH	1.0
54244405	FLUSH INLET BOX FOR MEDIAN, STANDARD 542546	EACH	5.0
54248510	CONCRETE COLLAR	CU YD	7.2
542A0229	PIPE CULVERTS, CLASS A, TYPE 1 24"	FOOT	16.0
550B0020	STORM SEWERS, CLASS B, TYPE 1 6"	FOOT	85.0
550B0070	STORM SEWERS, CLASS B, TYPE 1 15"	FOOT	103.0
550B0340	STORM SEWERS, CLASS B, TYPE 2 12"	FOOT	16.0
550B0360	STORM SEWERS, CLASS B, TYPE 2 15"	FOOT	14.0
55100200	STORM SEWER REMOVAL 6"	FOOT	75.0
55100500	STORM SEWER REMOVAL 12"	FOOT	16.0
55100700	STORM SEWER REMOVAL 15"	FOOT	115.0
60100060	CONCRETE HEADWALLS FOR PIPE DRAINS	EACH	1.0
* 63000001	STEEL PLATE BEAM GUARD RAIL, TYPE A, 6 FOOT POSTS	FOOT	875.0
* 63100045	TRAFFIC BARRIER TERMINAL, TYPE 2	EACH	3.0
* 63100089	TRAFFIC BARRIER TERMINAL, TYPE 6B	EACH	2.0
* 63100167	TRAFFIC BARRIER TERMINAL, TYPE 1(SPECIAL) TANGENT	EACH	3.0

\* DENOTES SPECIALTY ITEM

FILE NAME =	USER NAME = hoganbj	DESIGNED - BJH	REVISED -	<b>STATE OF ILLINOIS DEPARTMENT OF TRANSPORTATION</b>	<b>SUMMARY OF QUANTITIES</b>				F.A.J. RTE.	SECTION	COUNTY	TOTAL SHEETS	SHEET NO.
c:\pwork\pvidot\hoganbj\d0158340\0570650-shc-500.dgn	DRAWN - BJH 10/12/2010	REVISED -							74	(57-2011)21,22RS-3	MCLEAN	150	10
PLOT SCALE = 100.0000' / IN.	CHECKED -	REVISED -			CONTRACT NO. 70550				ILLINOIS FED. AID PROJECT				
PLOT DATE = 10/20/2010	DATE -	REVISED -			SCALE: _____	SHEET NO. 4 OF 7 SHEETS	STA. _____ TO STA. _____						

LOCATION OF WORK:

FAI 74  
RURAL  
INTERSTATE  
MCLEAN COUNTY  
STA. 737+00 TO STA. 1111+00  
E OF US 51 TO CH 36 AT DOWNS

FUNDING BREAKOUT:  
CONSTRUCTION TYPE CODE:

90% FEDERAL / 10% STATE  
0005

CODE NO.	ITEM	UNIT	TOTAL QUANTITY
63300900	VERTICAL ADJUSTMENT OF GUARD RAIL	FOOT	3,025.0
63304805	TRAFFIC BARRIER TERMINAL REMOVAL, TYPE 6	EACH	2.0
63400105	GUARD POSTS	EACH	32.0
X6340205	GUARD POSTS REMOVAL	EACH	30.0
64200105	SHOULDER RUMBLE STRIPS	FOOT	146,000.0
<del>20022800</del>	FENCE REMOVAL	FOOT	135.0
66503200	BARBED WIRE FENCE, FIVE STRAND	FOOT	135.0
67000500	ENGINEER'S FIELD OFFICE, TYPE B	CAL MO	8.0
67100100	MOBILIZATION	L SUM	1.0
70103800	TRAFFIC CONTROL (SPECIAL)	L SUM	1.0
70103815	TRAFFIC CONTROL SURVEILLANCE	CAL DA	45.0
70300100	SHORT-TERM PAVEMENT MARKING	FOOT	21,500.0
70300210	TEMPORARY PAVEMENT MARKING - LETTERS AND SYMBOLS	SQ FT	125.0
70300220	TEMPORARY PAVEMENT MARKING - LINE 4"	FOOT	141,100.0
70300240	TEMPORARY PAVEMENT MARKING - LINE 6"	FOOT	375.0
70300250	TEMPORARY PAVEMENT MARKING - LINE 8"	FOOT	2,500.0
70300260	TEMPORARY PAVEMENT MARKING - LINE 12"	FOOT	250.0
70300280	TEMPORARY PAVEMENT MARKING - LINE 24"	FOOT	75.0
70301000	WORK ZONE PAVEMENT MARKING REMOVAL	SQ FT	53,000.0
* 78000100	THERMOPLASTIC PAVEMENT MARKING - LETTERS AND SYMBOLS	SQ FT	125.0

\* DENOTES SPECIALTY ITEM

FILE NAME =	USER NAME = hoganbj	DESIGNED - BJH	REVISED -	<b>STATE OF ILLINOIS DEPARTMENT OF TRANSPORTATION</b>	<b>SUMMARY OF QUANTITIES</b>				F.A.I. RTE.	SECTION	COUNTY	TOTAL SHEETS	SHEET NO.
c:\pwwork\pwwork\hoganbj\d0158340\0570550-shr-500.dgn		DRAWN - BJH 10/12/2010	REVISED -						74	(57-20(1),21,22)RS-3	MCLEAN	150	11
		CHECKED -	REVISED -		CONTRACT NO. 70550				ILLINOIS FED. AID PROJECT				
		DATE -	REVISED -		SCALE: -----	SHEET NO. 5 OF 7 SHEETS	STA. ----- TO STA. -----						

LOCATION OF WORK:

FAI 74  
RURAL  
INTERSTATE  
MCLEAN COUNTY  
STA. 737+00 TO STA. 1111+00  
E OF US 51 TO CH 36 AT DOWNS

FUNDING BREAKOUT:  
CONSTRUCTION TYPE CODE:

90% FEDERAL / 10% STATE  
0005

CODE NO.	ITEM	UNIT	TOTAL QUANTITY
* 78000200	THERMOPLASTIC PAVEMENT MARKING - LINE 4"	FOOT	125,000.0
* 78000400	THERMOPLASTIC PAVEMENT MARKING - LINE 6"	FOOT	375.0
* 78000500	THERMOPLASTIC PAVEMENT MARKING - LINE 8"	FOOT	2,500.0
* 78000600	THERMOPLASTIC PAVEMENT MARKING - LINE 12"	FOOT	250.0
* 78000650	THERMOPLASTIC PAVEMENT MARKING - LINE 24"	FOOT	75.0
* 78003110	PREFORMED PLASTIC PAVEMENT MARKING, TYPE B - LINE 4"	FOOT	12,000.0
* 78008310	POLYUREA PAVEMENT MARKING TYPE II - LINE 4"	FOOT	4,100.0
* 78100100	RAISED REFLECTIVE PAVEMENT MARKER	EACH	1,400.0
* 78100300	REPLACEMENT REFLECTOR	EACH	50.0
* 78200410	GUARDRAIL MARKERS, TYPE A	EACH	20.0
* 78201000	TERMINAL MARKER - DIRECT APPLIED	EACH	3.0
78300200	RAISED REFLECTIVE PAVMENT MARKER REMOVAL	EACH	1,400.0
X0322118	REMOVE CONCRETE FLARED END SECTIONS	EACH	1.0
X0323583	SPEED INDICATOR SIGN	CAL DA	360.0
X0556100	PARTIAL DEPTH PATCHING (SPECIAL)	SQ YD	190.0
X2010350	TREE REMOVAL, ACRES (SPECIAL)	ACRE	0.2
X4401198	HOT-MIX ASPHALT SURFACE REMOVAL, VARIABLE DEPTH	SQ YD	40,400.0
X6050700	REMOVE INLET BOX	EACH	5.0
X7015005	CHANGEABLE MESSAGE SIGN	CAL DA	100.0
Z0002005	ATTENUATOR BASE	SQ YD	410.0

\* DENOTES SPECIALTY ITEM

FILE NAME *	USER NAME * hoganbj	DESIGNED - BJH	REVISED -	<b>STATE OF ILLINOIS DEPARTMENT OF TRANSPORTATION</b>	<b>SUMMARY OF QUANTITIES</b>				F.A.I. RTE.	SECTION	COUNTY	TOTAL SHEETS	SHEET NO.
ct:\pwwork\pwwork\hoganbj\0158340\057059-shr-S00.dgn	DRAWN - BJH 10/12/2010	REVISED -							74	(57-20(1),21,22)RS-3	MCLEAN	150	12
PLOT SCALE = 100.0000' / IN.	CHECKED -	REVISED -			CONTRACT NO. 70550				ILLINOIS FED. AID PROJECT				
PLOT DATE = 10/20/2010	DATE -	REVISED -			SCALE: _____	SHEET NO. 6 OF 7 SHEETS	STA. _____ TO STA. _____						

LOCATION OF WORK:

FAI 74  
 RURAL  
 INTERSTATE  
 MCLEAN COUNTY  
 STA. 737+00 TO STA. 1111+00  
 E OF US 51 TO CH 36 AT DOWNS

FUNDING BREAKOUT:  
 CONSTRUCTION TYPE CODE:

90% FEDERAL / 10% STATE  
 0005

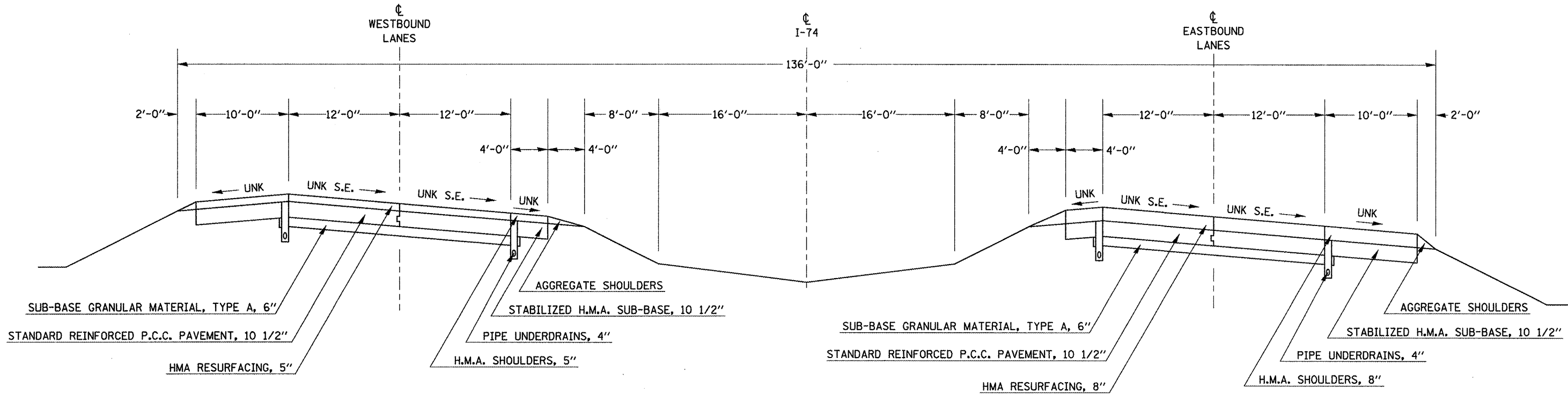
CODE NO.	ITEM	UNIT	TOTAL QUANTITY
Z0005305	BOX CULVERTS TO BE CLEANED	FOOT	125.0
Z0013798	CONSTRUCTION LAYOUT	L SUM	1.0
<input type="checkbox"/> Z0014800	CULVERT TO BE CLEANED	FOOT	250.0
Z0026346	NIGHTTIME WORK ZONE LIGHTING	L SUM	1.0
* Z0030150	IMPACT ATTENUATORS (NON-REDIRECTIVE), TEST LEVEL 3	EACH	8.0
Z0034105	MATERIAL TRANSFER DEVICE	TON	40,100.0
Z0048665	RAILROAD PROTECTIVE LIABILITY INSURANCE	L SUM	1.0

\* DENOTES SPECIALTY ITEM  
 NON-PARTICIPATING  
 100% STATE

FILE NAME =	USER NAME = hogenbj	DESIGNED - BJH	REVISED -	<b>STATE OF ILLINOIS DEPARTMENT OF TRANSPORTATION</b>	<b>SUMMARY OF QUANTITIES</b>				F.A.I. RTE.	SECTION	COUNTY	TOTAL SHEETS	SHEET NO.
et:\pwwork\pwwork\hogenbj\d0158340\0570550-sh1-500.dgn		DRAWN - BJH 10/12/2010	REVISED -		74	(57-201(1),21,22)RS-3	MCLEAN	150	13				
		CHECKED -	REVISED -		CONTRACT NO. 70550								
		PLOT SCALE = 100.0000 "/ IN.	REVISED -		SCALE: _____	SHEET NO. 7 OF 7 SHEETS	STA. _____ TO STA. _____	[ILLINOIS] FED. AID PROJECT					
		PLOT DATE = 10/20/2010	REVISED -										

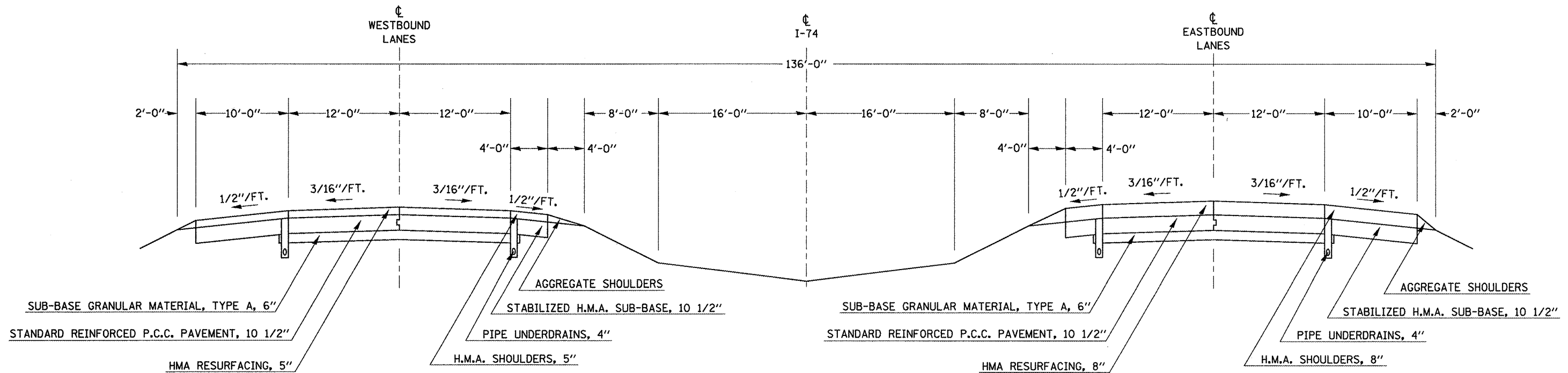
## EXISTING TYPICAL CROSS SECTION ①

STATION TO STATION  
 737+00.00 TO 743+50.00  
 743+50.00 TO 744+50.00 (S.E. TRANSITION) ②



## EXISTING TYPICAL CROSS SECTION ②

STATION TO STATION  
 ① 744+50.00 TO 772+00.00 ③



FILE NAME =	USER NAME = hogarbj	DESIGNED -	REVISED -
ct:\pwwork\pwwork\hogarbj\d0158340\DS70550-sh1-typ10e1.dgn		DRAWN -	REVISED -
PLOT SCALE = 1/8" = 1' / IN.		CHECKED -	REVISED -
PLOT DATE = 10/21/2012		DATE -	REVISED -

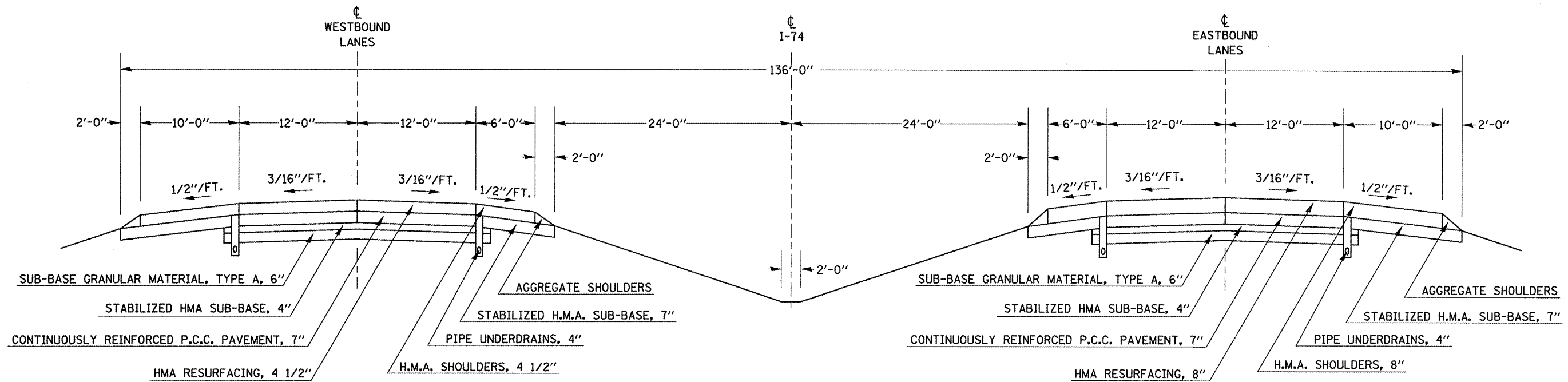
**STATE OF ILLINOIS  
 DEPARTMENT OF TRANSPORTATION**

<b>EXISTING TYPICAL SECTIONS</b>			
SCALE:	SHEET NO.	OF SHEETS	STA. TO STA.

F.A.I. RTE.	SECTION	COUNTY	TOTAL SHEETS	SHEET NO.
74	(57-2011)21,22RS-3	MCLEAN	150	14
CONTRACT NO. 70550			ILLINOIS FED. AID PROJECT	

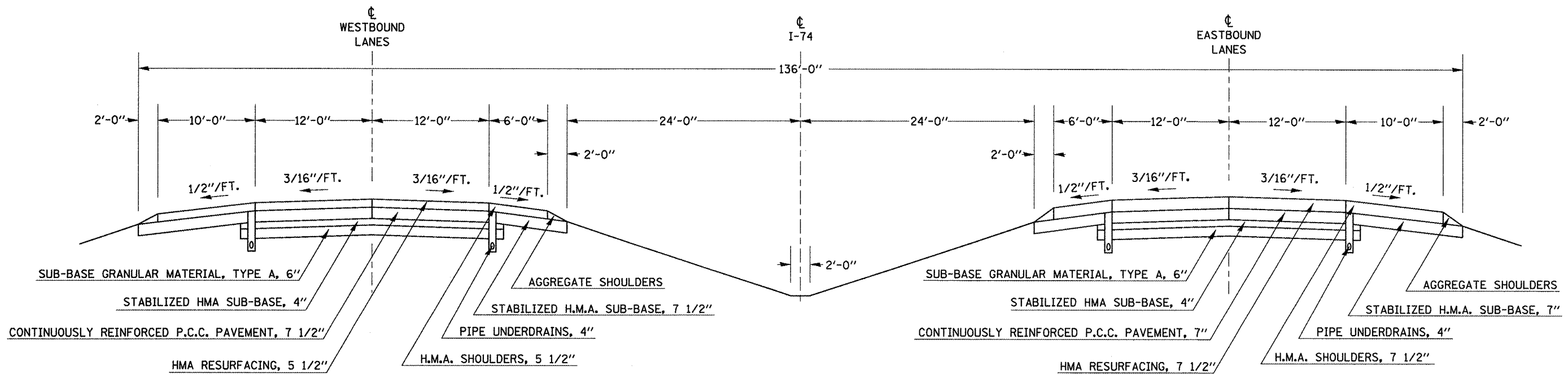
### EXISTING TYPICAL CROSS SECTION ③

STATION ② 772+00.00 TO STATION 779+38.47 ④



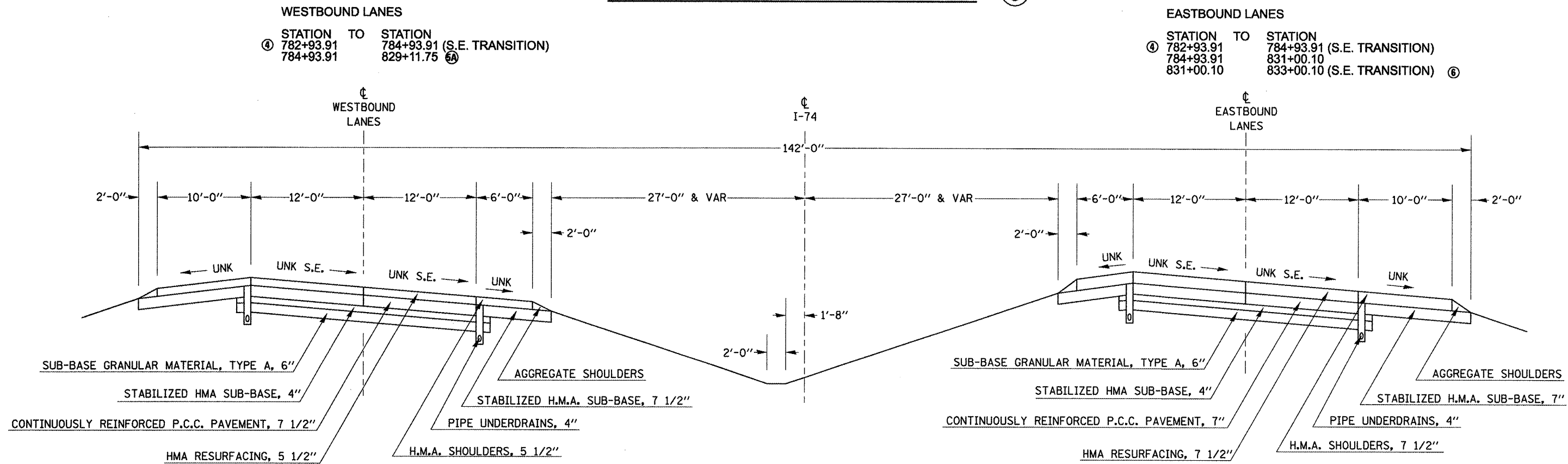
### EXISTING TYPICAL CROSS SECTION ④

STATION ③ 779+38.47 TO STATION 781+58.39 (OMISSION SN 057-0121 WB & SN 057-0120 EB) ⑤  
781+58.39 782+93.91 ⑥

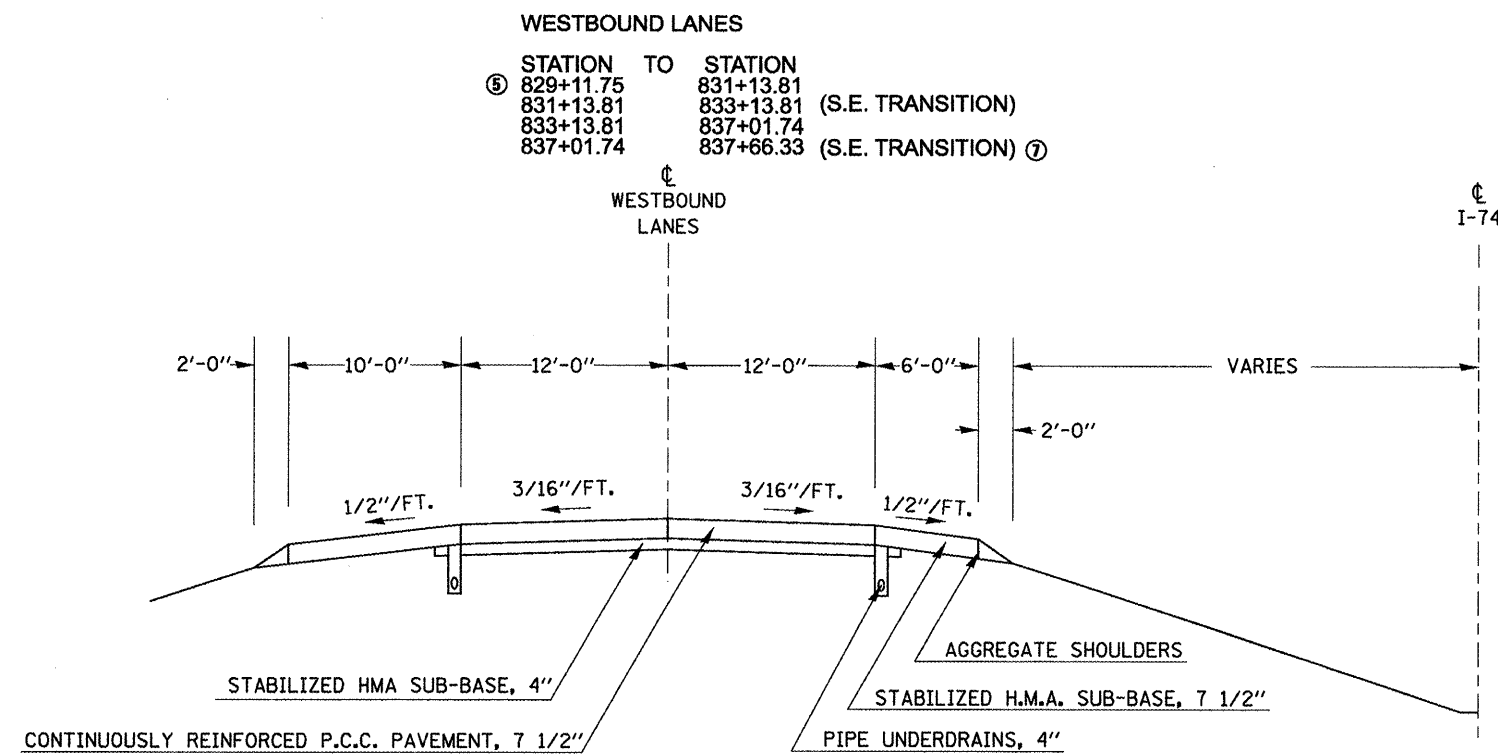


FILE NAME =	USER NAME = hoganbj	DESIGNED -	REVISED -	<b>STATE OF ILLINOIS DEPARTMENT OF TRANSPORTATION</b>	<b>EXISTING TYPICAL SECTIONS</b>			F.A.I. RTE.	SECTION	COUNTY	TOTAL SHEETS	SHEET NO.
ce:\pw_work\p\dot\hoganbj\0158340\057050-sh1-typ10e1.dgn	DRAWN -	REVISED -	74					(57-2011)21,22RS-3	MCLEAN	150	15	
PLOT SCALE = 1/8" = 1' IN.	CHECKED -	REVISED -	CONTRACT NO. 70550									
PLOT DATE = 10/21/2010	DATE -	REVISED -	ILLINOIS FED. AID PROJECT									

### EXISTING TYPICAL CROSS SECTION ⑤



### EXISTING TYPICAL CROSS SECTION ⑤A



FILE NAME =	USER NAME = hogenbj	DESIGNED -	REVISED -
cr:\pw_work\pwidot\hogenbj\158348\0579550-sh-typ10a1.dgn		DRAWN -	REVISED -
PLOT SCALE = 1/8" = 1' IN.		CHECKED -	REVISED -
PLOT DATE = 10/21/2010		DATE -	REVISED -

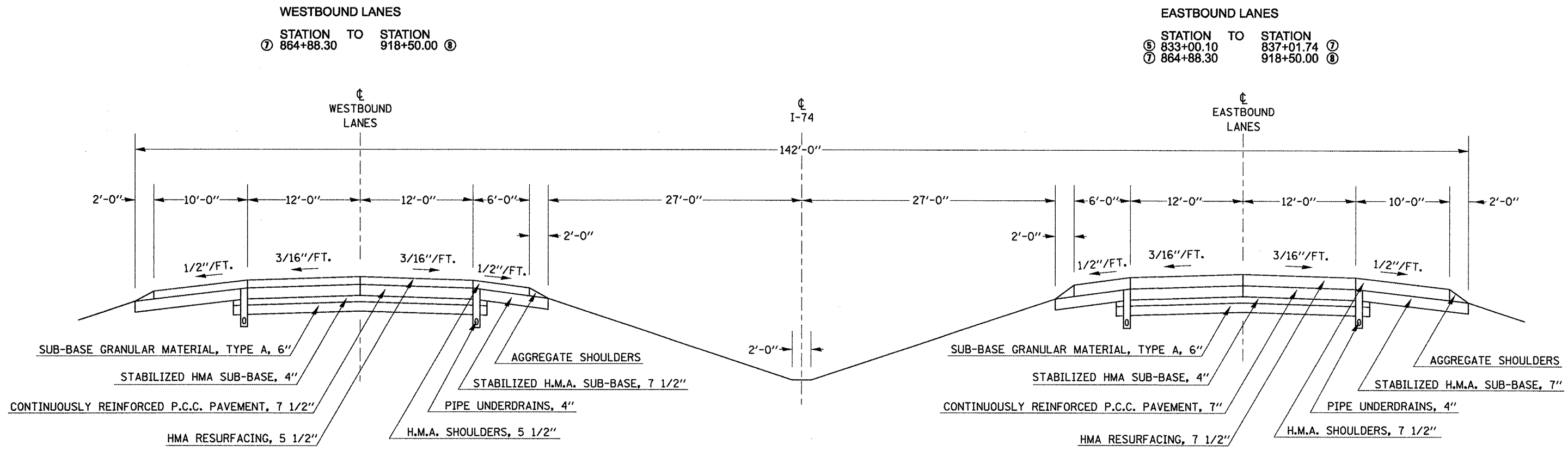
STATE OF ILLINOIS  
 DEPARTMENT OF TRANSPORTATION

EXISTING TYPICAL SECTIONS			
SCALE:	SHEET NO.	OF SHEETS	STA. TO STA.

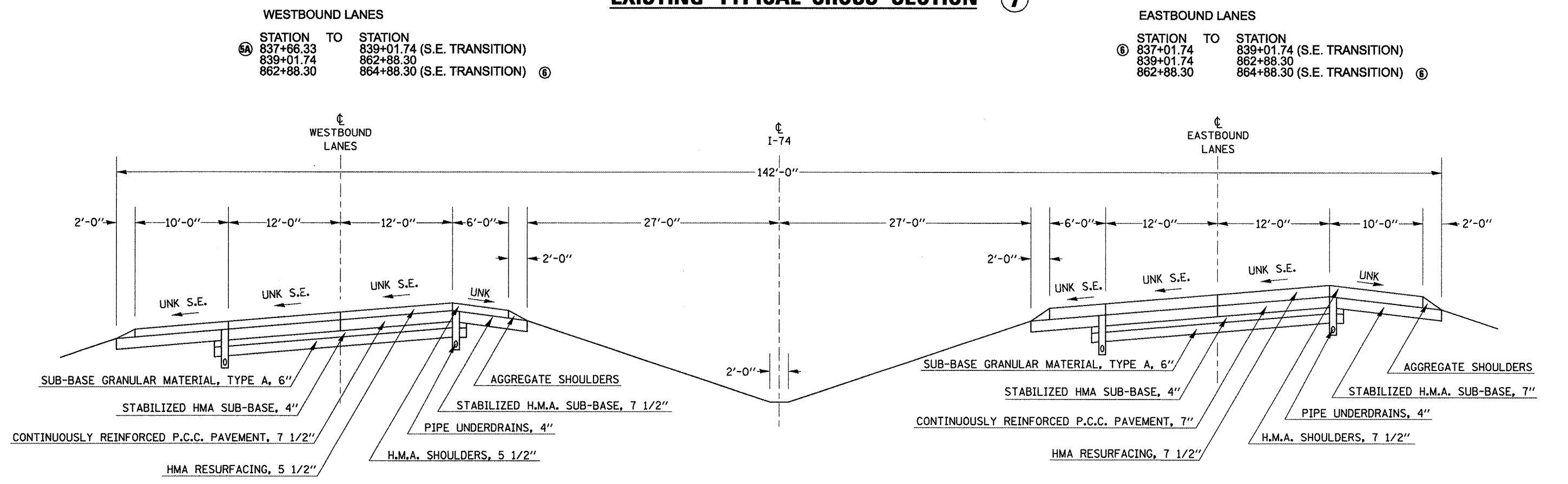
F.A.I. RTE.	SECTION	COUNTY	TOTAL SHEETS	SHEET NO.
74	(57-2011)21,22RS-3	MCLEAN	150	16
CONTRACT NO. 70550				
ILLINOIS FED. AID PROJECT				



### EXISTING TYPICAL CROSS SECTION ⑥

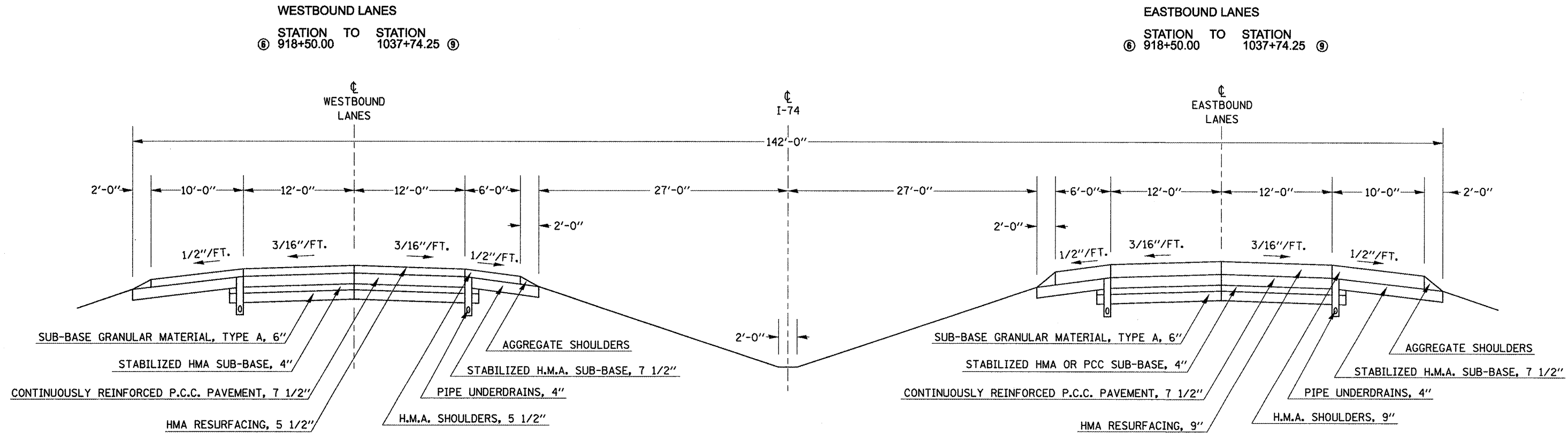


### EXISTING TYPICAL CROSS SECTION ⑦

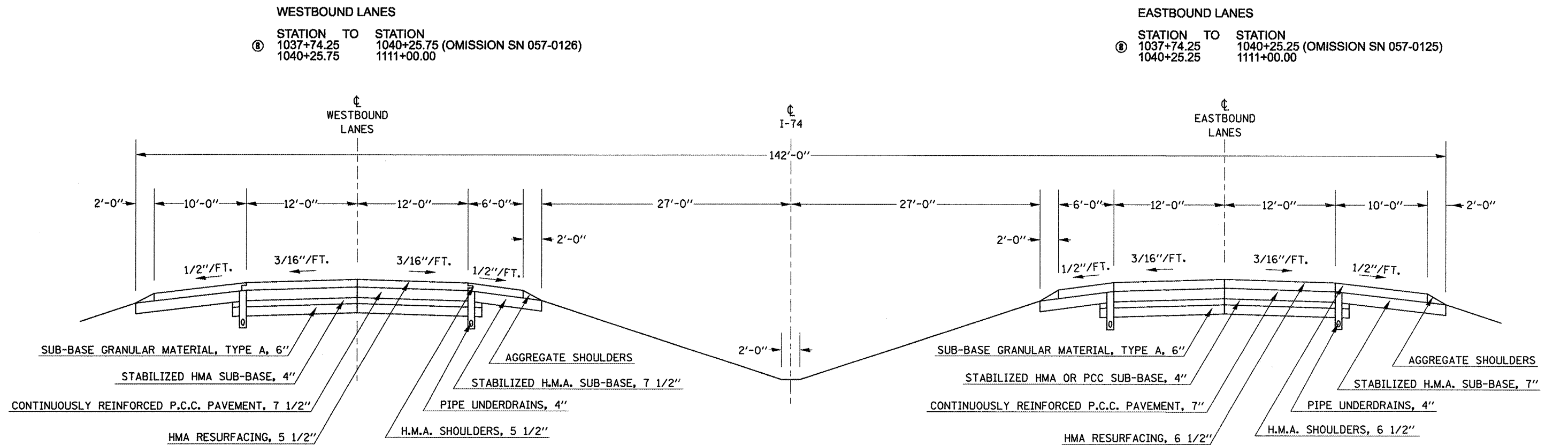


FILE NAME =	USER NAME = hoganbj	DESIGNED -	REVISED -	<b>STATE OF ILLINOIS DEPARTMENT OF TRANSPORTATION</b>	<b>EXISTING TYPICAL SECTIONS</b>			F.A.I. RTE. 74	SECTION (57-2011), 21, 22RS-3	COUNTY MCLEAN	TOTAL SHEETS 150	SHEET NO. 17
ct:\pw\work\pzd\dot\hoganbj\0158340\0570550-shr-typical.dgn		DRAWN -	REVISED -		SCALE:	SHEET NO.	OF SHEETS	STA.	TO STA.	CONTRACT NO. 70550		
		CHECKED -	REVISED -							ILLINOIS FED. AID PROJECT		
		DATE -	REVISED -									

### EXISTING TYPICAL CROSS SECTION ⑧



### EXISTING TYPICAL CROSS SECTION ⑨

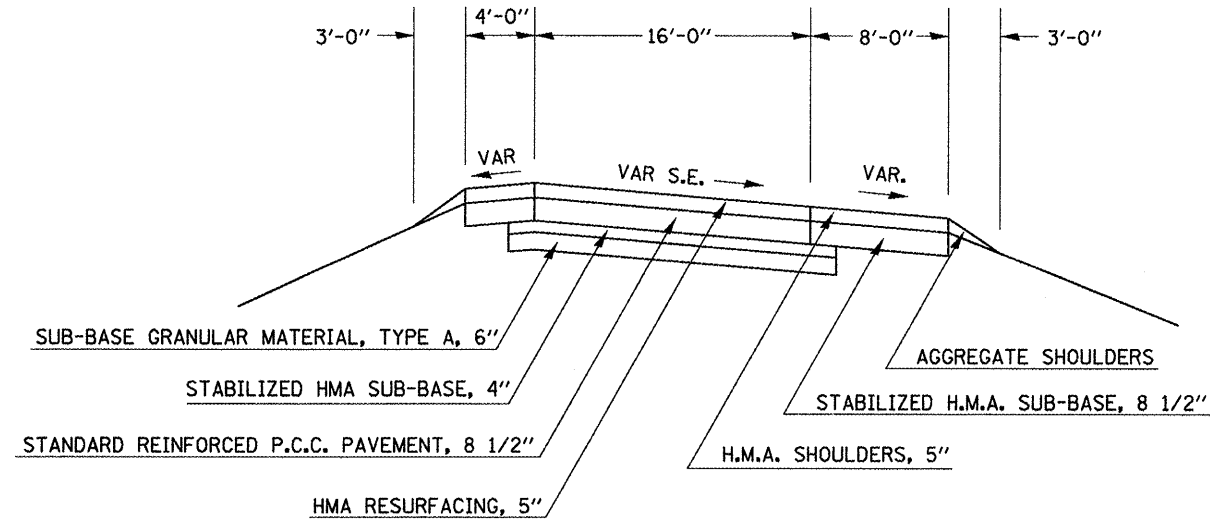


FILE NAME =	USER NAME = hoganbj	DESIGNED -	REVISED -	<b>STATE OF ILLINOIS DEPARTMENT OF TRANSPORTATION</b>	<b>EXISTING TYPICAL SECTIONS</b>	F.A.I. RTE.	SECTION	COUNTY	TOTAL SHEETS	SHEET NO.
cr:\pw_work\p\dot\hoganbj\158348\057058-shr-typ10a1.dgn	DRAWN -	REVISED -	74			(57-2011)21,22IRS-3	MCLEAN	150	18	
PLOT SCALE = 1/8" = 1' / IN.	CHECKED -	REVISED -	CONTRACT NO. 70550							
PLOT DATE = 10/21/2010	DATE -	REVISED -	ILLINOIS FED. AID PROJECT							
					SCALE:	SHEET NO. OF SHEETS STA. TO STA.				

## EXISTING TYPICAL CROSS SECTION ⑩

OFF RAMPS CB AND DA

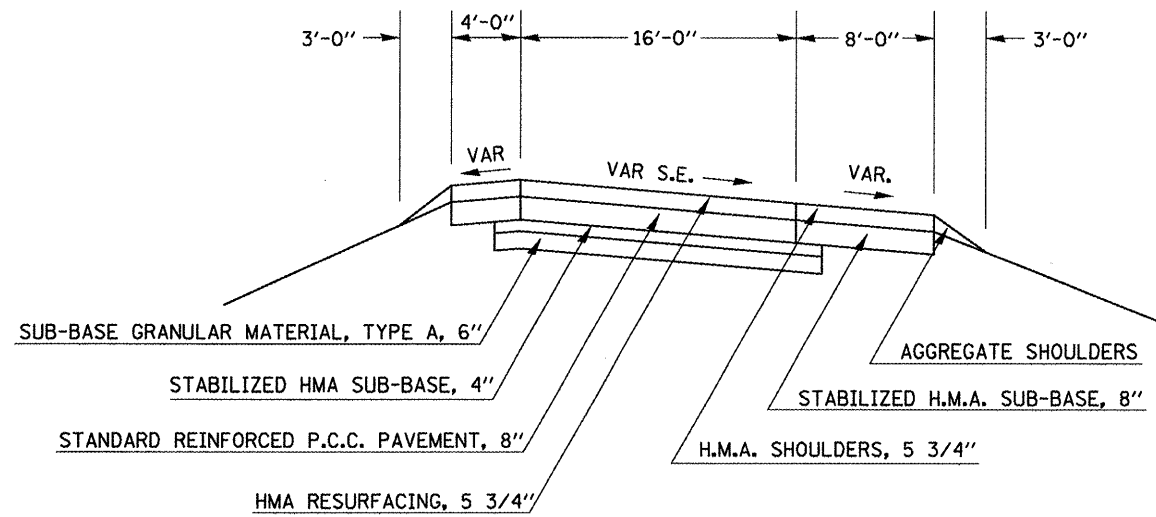
	STATION	TO	STATION
CB	10+00.00		28+63.98
DA	10+00.00		27+60.49



## EXISTING TYPICAL CROSS SECTION ⑪

ON RAMPS AC AND BD

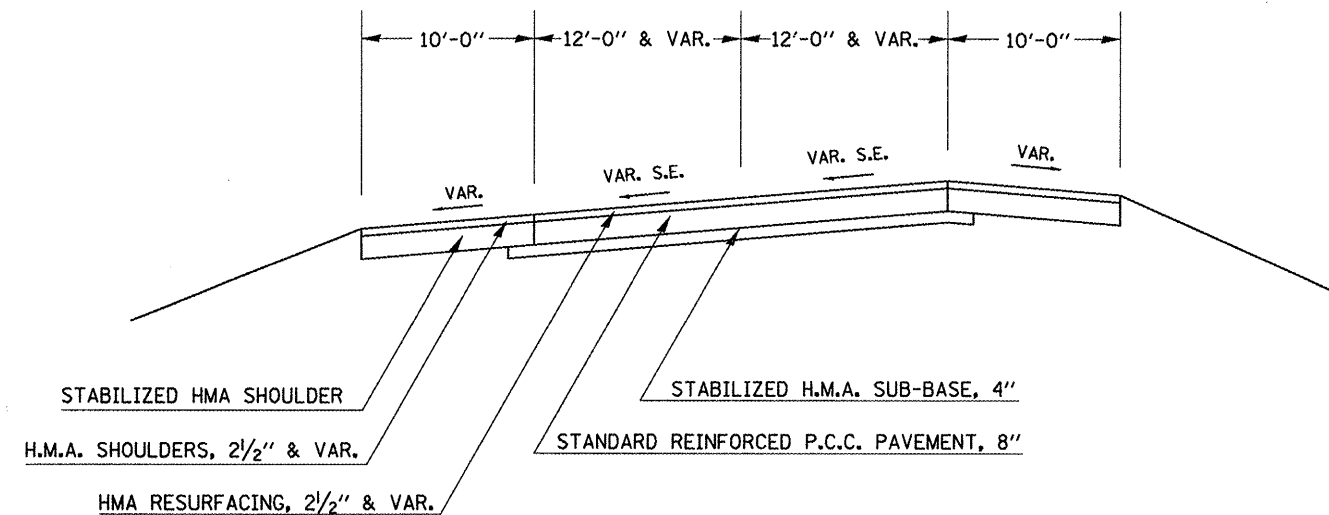
	STATION	TO	STATION
AC	10+24.00		31+64.13
BD	10+24.00		32+79.31



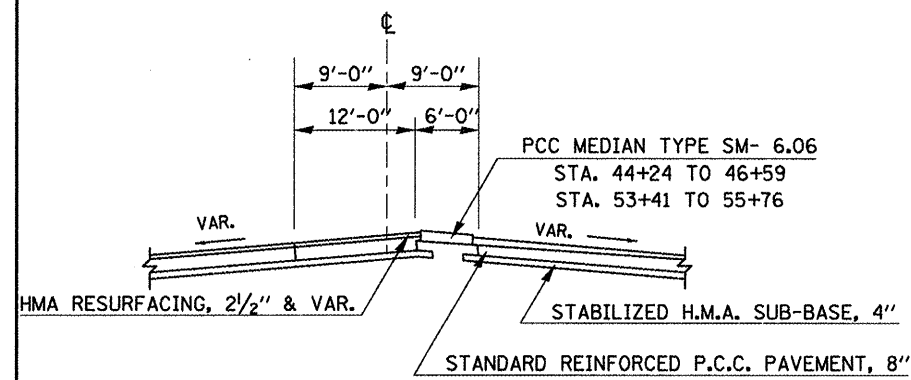
FILE NAME =	USER NAME = hogenbj	DESIGNED -	REVISED - BJH 8/10/2010	<b>STATE OF ILLINOIS DEPARTMENT OF TRANSPORTATION</b>	<b>EXISTING TYPICAL SECTIONS</b>				F.A.I. RTE.	SECTION	COUNTY	TOTAL SHEETS	SHEET NO.
ar:\pwork\pwork\dot\hogenbj\d0158340\057058-shr-typical.dgn	DRAWN -	CHECKED -	REVISED -		74	(57-2011)21,22\RS-3	MCLEAN	150	19				
PLOT SCALE = 100.0000' / IN.	DATE -	REVISED -	REVISED -		CONTRACT NO. 70550				ILLINOIS FED. AID PROJECT				
PLOT DATE = 10/21/2010	DATE -	REVISED -	REVISED -		SCALE:	SHEET NO.	OF SHEETS	STA.	TO STA.				

## EXISTING TYPICAL CROSS SECTION 12

C.H. 36 - SUPERELEVATED & NORMAL W/O MEDIAN  
 STA. 16+92.44 - STA. 18+92.44  
 TRANSITION FROM NORMAL SECTION AT STA. 18+92.44 TO SEC 12 S.E. AT STA. 20+72.44  
 STA. 20+72.44 TO STA. 34+83.43  
 STA. 62+17.95 TO STA. 67+46.15  
 TRANSITION FROM SEC 12 S.E. STA. 67+46.15 TO WARP PAVEMENT TO MEET N+S RR STA. 68+96  
 MEET EXISTING CROWN SEMINARY ST. STA. 69+06 TO STA. 69+50

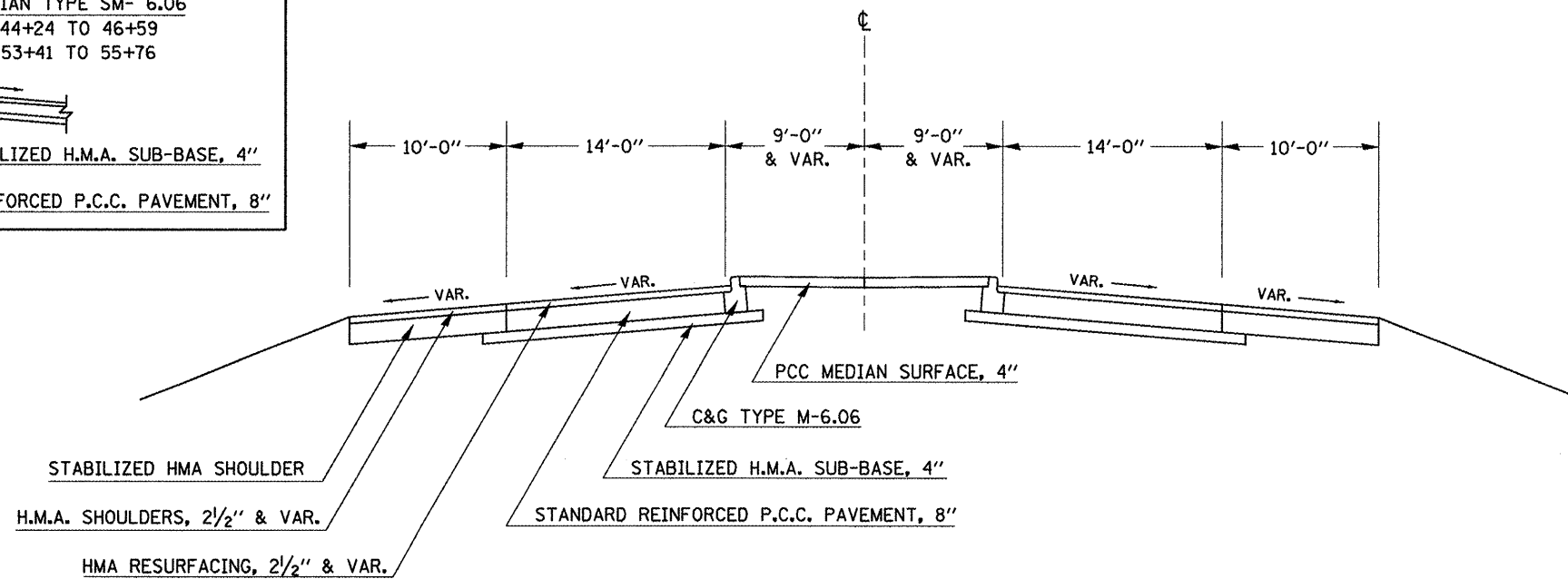


### DETAIL OF LEFT TURN LANES



## EXISTING TYPICAL CROSS SECTION 13

C.H. 36 - NORMAL  
 STA. 43+84.24 - STA. 48+84.95  
 STA. 51+15.05 - STA. 60+67.95  
 TRANSITION FROM NORMAL SECTION 13 AT STA. 60+67.95 TO SEC 12 AT STA. 62+17.95



FILE NAME =	USER NAME = hoganbj	DESIGNED -	REVISED - BJH 8/10/2010
c:\p\work\p\dot\hoganbj\d0158340\0578	50-shl-typico1.dgn	DRAWN -	REVISED -
	PLOT SCALE = 1/8" = 1' / IN.	CHECKED -	REVISED -
	PLOT DATE = 10/21/2010	DATE -	REVISED -

**STATE OF ILLINOIS  
 DEPARTMENT OF TRANSPORTATION**

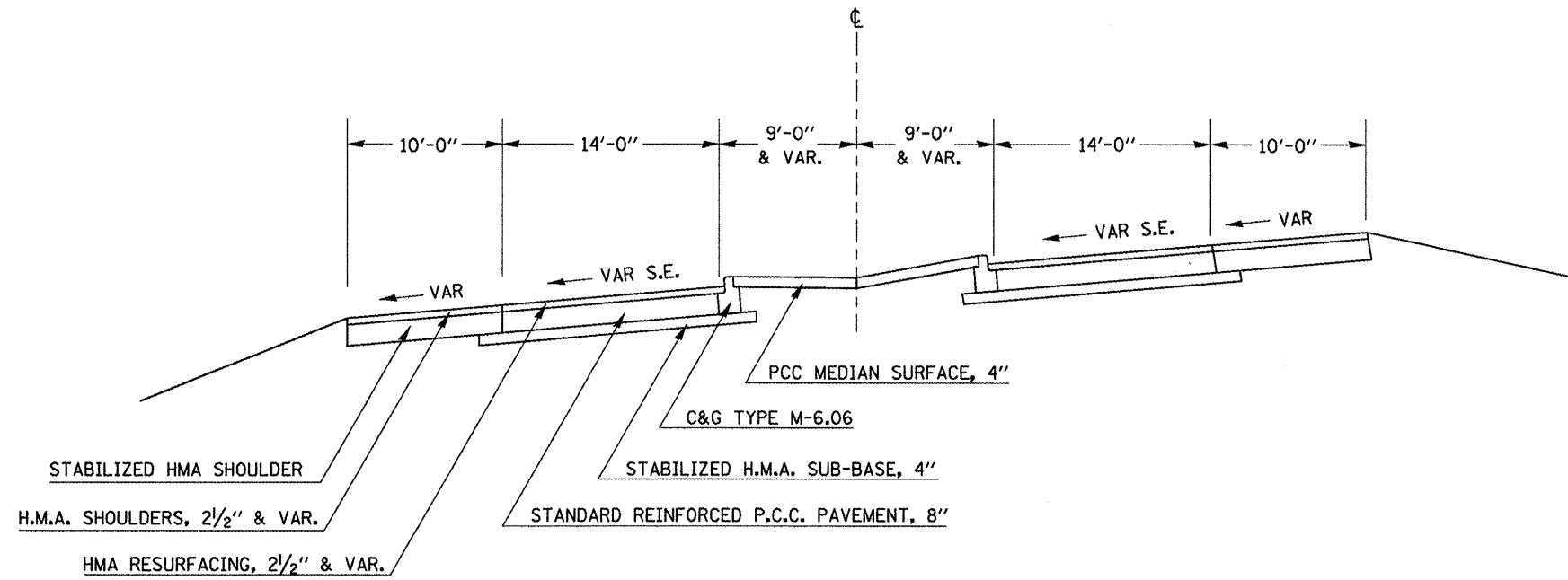
**EXISTING TYPICAL SECTIONS**

SCALE: SHEET NO. OF SHEETS STA. TO STA.

F.A.I. RTE.	SECTION	COUNTY	TOTAL SHEETS	SHEET NO.
74	(57-20(1),21,22)RS-3	MCCLEAN	150	20
CONTRACT NO. 70550				
ILLINOIS FED. AID PROJECT				

# EXISTING TYPICAL CROSS SECTION 14

C.H. 36 - SUPERELEVATED  
 STA. 34+83.43 - STA. 42+04.24  
 TRANSITION FROM NORMAL SECTION 14 AT STA. 42+04.24 TO SEC 13 AT STA. 43+84.24



FILE NAME =	USER NAME = hoganbj	DESIGNED -	REVISED - BJH 8/10/2010
ct:\pw\work\p\dot\hoganbj\d0158340\0570	50-shr-typical.dgn	DRAWN -	REVISED -
	PLOT SCALE = 100.0000 ' / IN.	CHECKED -	REVISED -
	PLOT DATE = 10/21/2010	DATE -	REVISED -

**STATE OF ILLINOIS  
 DEPARTMENT OF TRANSPORTATION**

EXISTING TYPICAL SECTIONS			
SCALE:	SHEET NO.	OF SHEETS	STA. TO STA.

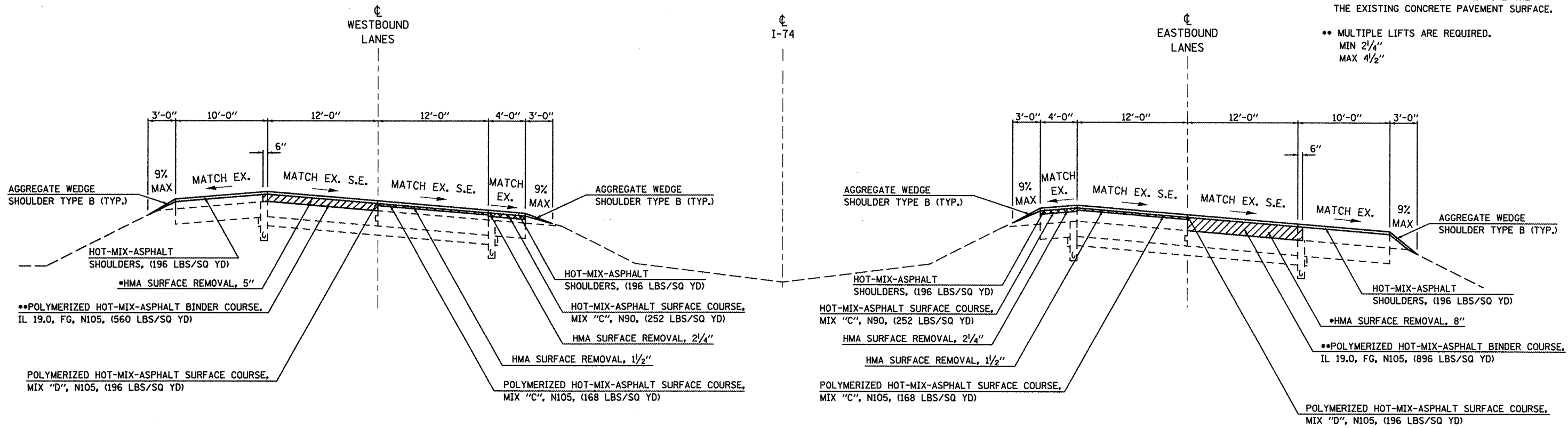
F.A.I. RTE.	SECTION	COUNTY	TOTAL SHEETS	SHEET NO.
74	(57-2011)21,22(RS-3)	MCLEAN	150	21
CONTRACT NO. 70550				
ILLINOIS FED. AID PROJECT				

# PROPOSED TYPICAL CROSS SECTION ①

STATION TO STATION  
737+00.00 TO 743+50.00  
743+50.00 TO 744+50.00 (S.E. TRANSITION) ②

NOTES:

- FULL DEPTH SURFACE REMOVAL: THE SPECIFIED DEPTH IS INTENDED TO REMOVE THE FULL THICKNESS OF EXISTING HOT-MIX ASPHALT OVERLAY AND TO TEXTURE THE EXISTING CONCRETE PAVEMENT SURFACE.
- MULTIPLE LIFTS ARE REQUIRED. MIN 2 1/4" MAX 4 1/2"

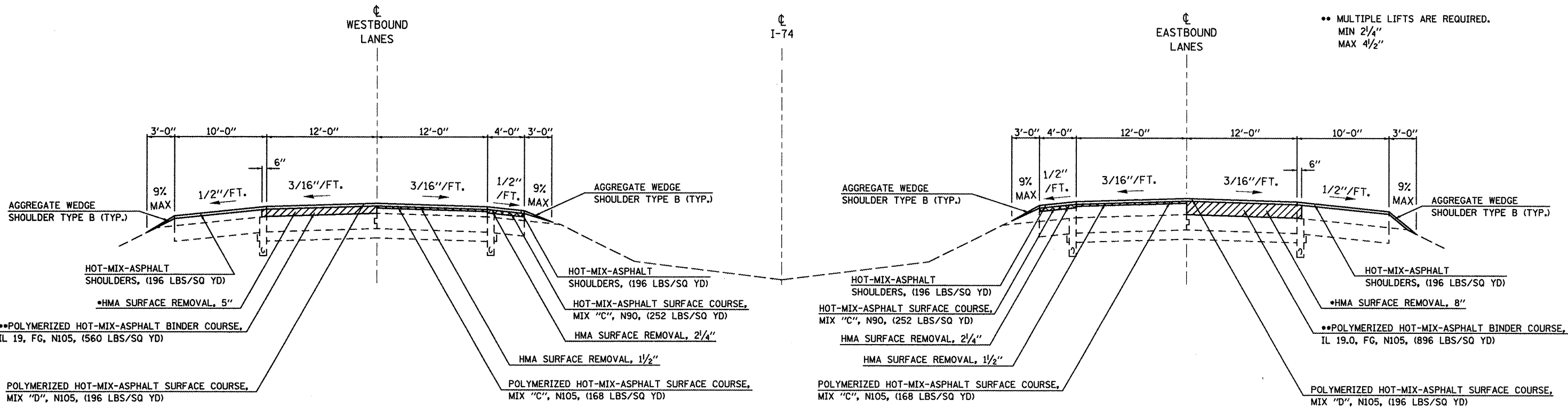


# PROPOSED TYPICAL CROSS SECTION ②

STATION TO STATION  
① 744+50.00 TO 772+00.00 ③

NOTES:

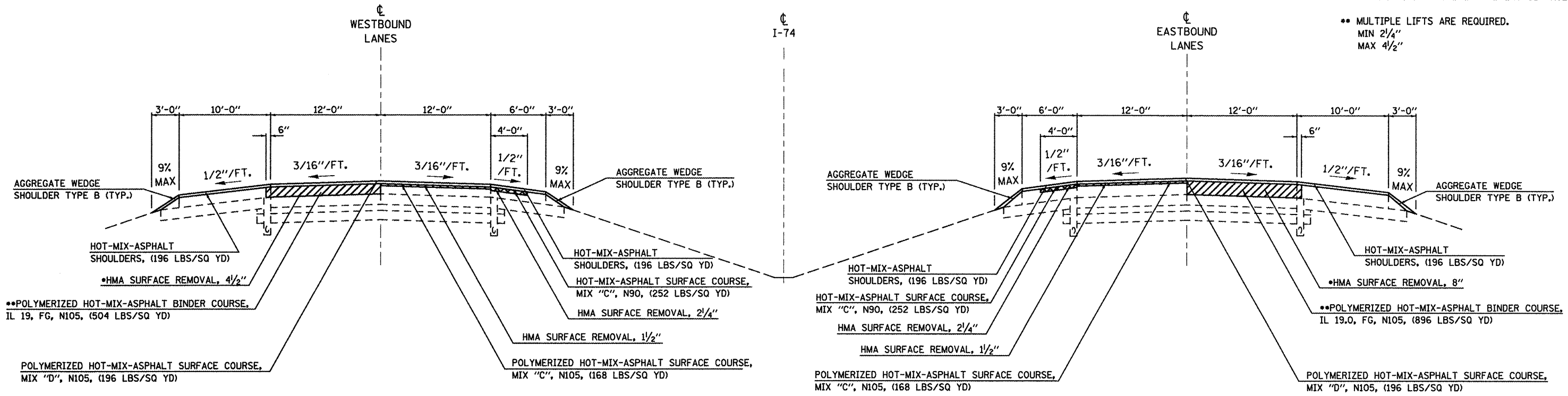
- FULL DEPTH SURFACE REMOVAL: THE SPECIFIED DEPTH IS INTENDED TO REMOVE THE FULL THICKNESS OF EXISTING HOT-MIX ASPHALT OVERLAY AND TO TEXTURE THE EXISTING CONCRETE PAVEMENT SURFACE.
- MULTIPLE LIFTS ARE REQUIRED. MIN 2 1/4" MAX 4 1/2"



FILE NAME =	USER NAME = hogenbj	DESIGNED -	REVISED - BJH 8/10/2010	<b>STATE OF ILLINOIS DEPARTMENT OF TRANSPORTATION</b>	<b>PROPOSED TYPICAL SECTIONS</b>			F.A.I. RTE.	SECTION	COUNTY	TOTAL SHEETS	SHEET NO.
ca:\pvc\work\pvidot\hogenbj\20158348\057858-shr-typical.dgn	PLOT SCALE = 100.0000' / IN.	DRAWN -	REVISED - BJH 8/12/2010					74	(57-2011)21,22RS-3	MCLEAN	150	22
PLOT DATE = 10/21/2010	DATE -	CHECKED -	REVISED -		SCALE:	SHEET NO.	OF SHEETS	STA.	TO STA.	CONTRACT NO. 70550		
										ILLINOIS FED. AID PROJECT		

### PROPOSED TYPICAL CROSS SECTION ③

STATION TO STATION  
 ② 772+00.00 779+38.47 ④

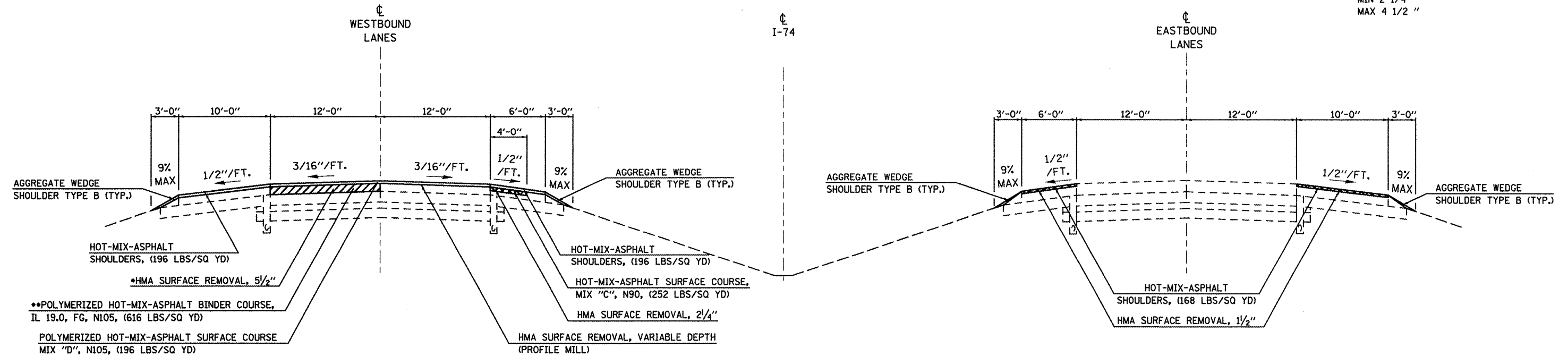


NOTES:

- FULL DEPTH SURFACE REMOVAL: THE SPECIFIED DEPTH IS INTENDED TO REMOVE THE FULL THICKNESS OF EXISTING HOT-MIX ASPHALT OVERLAY AND TO TEXTURE THE THE EXISTING CONCRETE PAVEMENT SURFACE.
- MULTIPLE LIFTS ARE REQUIRED. MIN 2 1/4" MAX 4 1/2"

### PROPOSED TYPICAL CROSS SECTION ④

STATION TO STATION  
 ③ 779+38.47 781+58.39 (OMISSION SN 057-0121 WB & SN 057-0120 EB)  
 781+58.39 782+93.91 ⑤



NOTES:

- FULL DEPTH SURFACE REMOVAL: THE SPECIFIED DEPTH IS INTENDED TO REMOVE THE FULL THICKNESS OF EXISTING HOT-MIX ASPHALT OVERLAY AND TO TEXTURE THE THE EXISTING CONCRETE PAVEMENT SURFACE.
- MULTIPLE LIFTS ARE REQUIRED. MIN 2 1/4 " MAX 4 1/2 "

FILE NAME =	USER NAME = hoganbj	DESIGNED -	REVISED - BJH 8/10/2010
ct:\pwwork\pwwork\hoganbj\d0158348\0577858-shc-typical.dgn		DRAWN -	REVISED - BJH 8/12/2010
PLOT SCALE = 1/8" = 1' / IN.		CHECKED -	REVISED -
PLOT DATE = 10/21/2010		DATE -	REVISED -

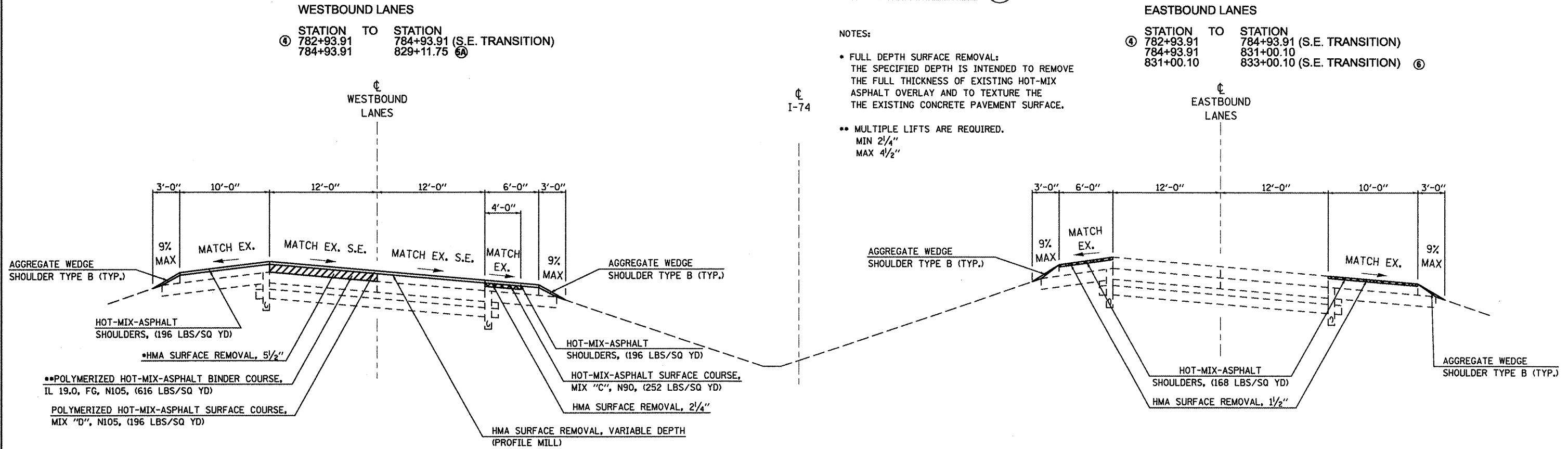
STATE OF ILLINOIS  
 DEPARTMENT OF TRANSPORTATION

PROPOSED TYPICAL SECTIONS

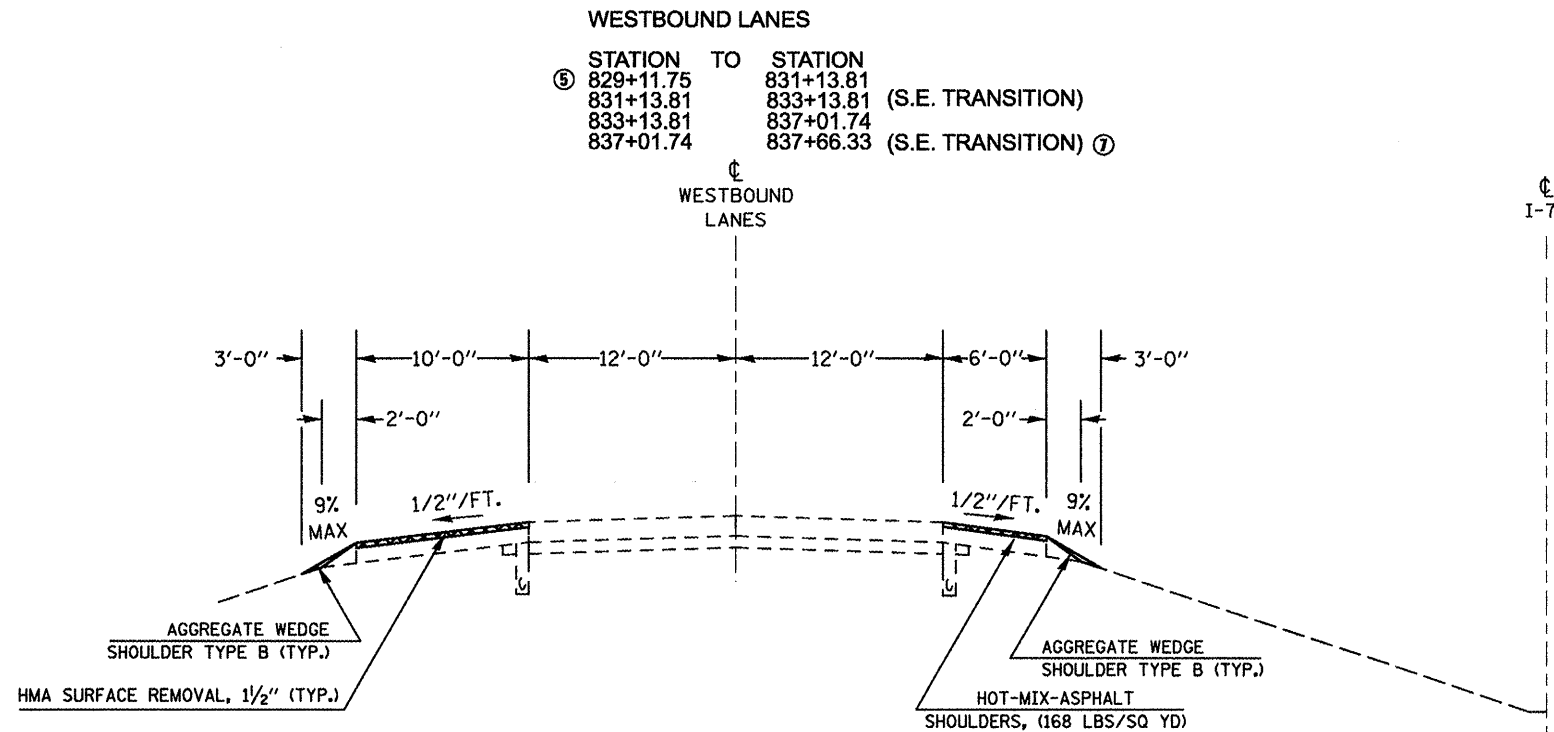
F.A.I. RTE.	SECTION	COUNTY	TOTAL SHEETS	SHEET NO.
74	(57-2011), 21, 22 (RS-3)	MCLEAN	150	23
CONTRACT NO. 70550				
ILLINOIS FED. AID PROJECT				

SCALE: SHEET NO. OF SHEETS STA. TO STA.

## PROPOSED TYPICAL CROSS SECTION 5



## PROPOSED TYPICAL CROSS SECTION 5A



FILE NAME =	USER NAME = hoganbj	DESIGNED -	REVISED - BJH 8/10/2010
ct:\pw_work\pwork\dot\hoganbj\d0158348\0570550-shr-typical.dgn		DRAWN -	REVISED - BJH 8/12/2010
PLOT SCALE = 1/8" = 1'-0"		CHECKED -	REVISED -
PLOT DATE = 10/21/2010		DATE -	REVISED -

**STATE OF ILLINOIS  
DEPARTMENT OF TRANSPORTATION**

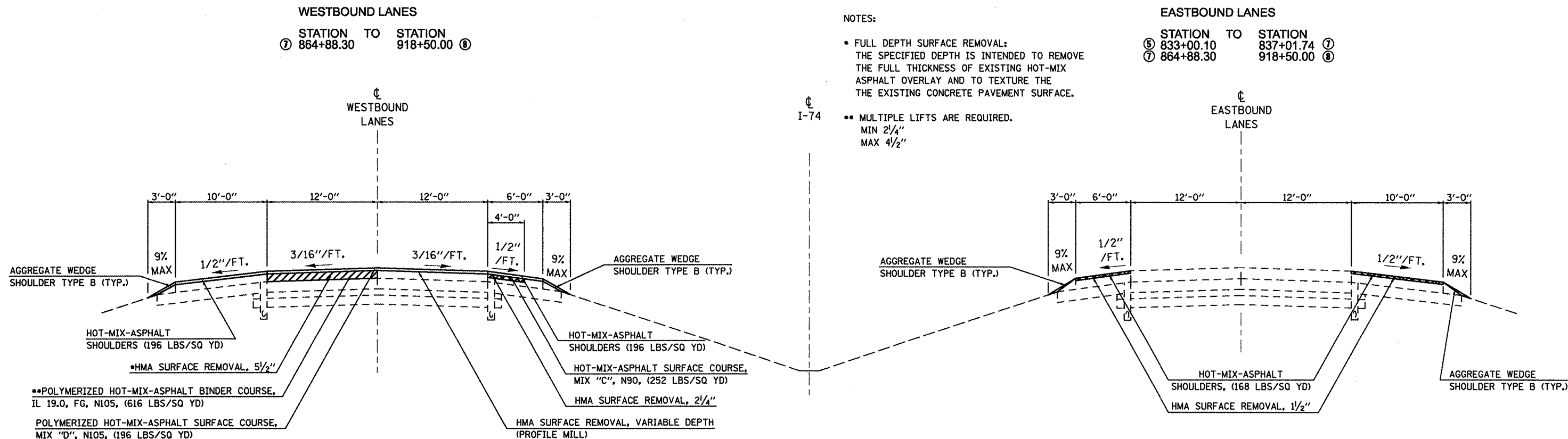
**PROPOSED TYPICAL SECTIONS**

F.A.I. RTE.	SECTION	COUNTY	TOTAL SHEETS	SHEET NO.
74	(57-2011), 21, 22, IRS-3	MCLEAN	150	24
CONTRACT NO. 70550				
ILLINOIS FED. AID PROJECT				

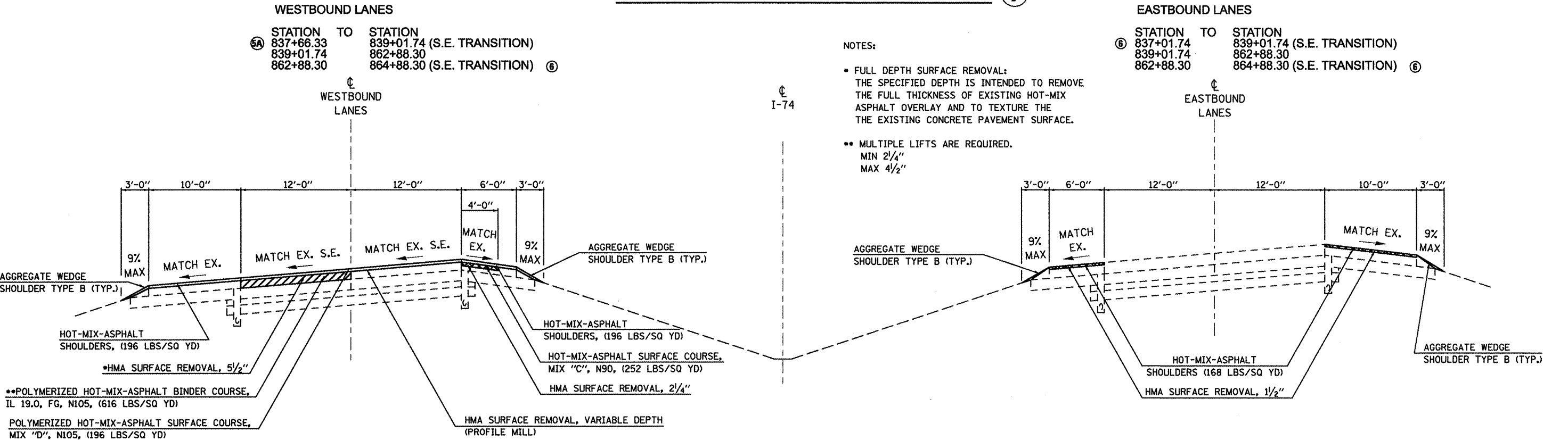
SCALE: SHEET NO. OF SHEETS STA. TO STA.



## PROPOSED TYPICAL CROSS SECTION ⑥

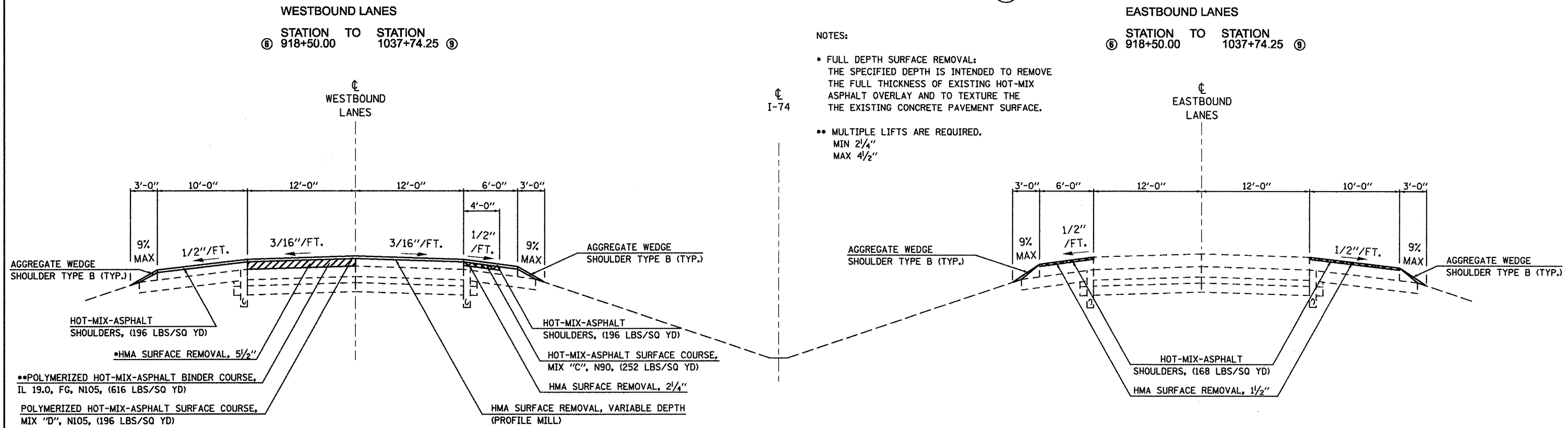


## PROPOSED TYPICAL CROSS SECTION ⑦

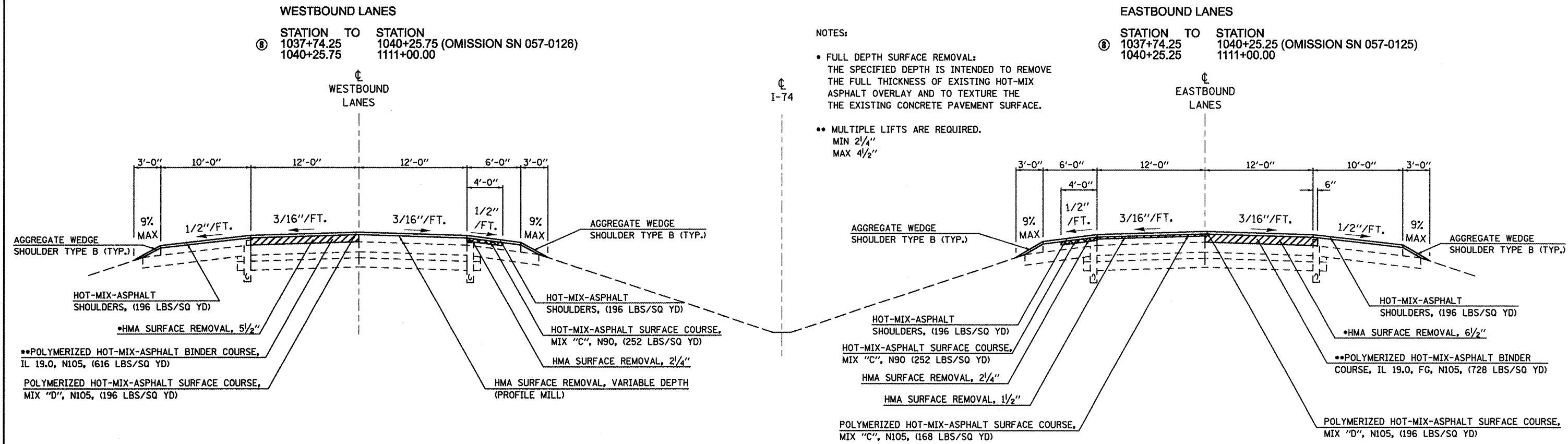


FILE NAME =	USER NAME = hoganbj	DESIGNED -	REVISED - BJH 8/10/2010	<b>STATE OF ILLINOIS DEPARTMENT OF TRANSPORTATION</b>	<b>PROPOSED TYPICAL SECTIONS</b>			F.A.I. RTE. 74	SECTION (57-20(1), 21, 22)RS-3	COUNTY MCLEAN	TOTAL SHEETS 150	SHEET NO. 25
ce:\pw\work\pwwdot\hoganbj\d0158348\057050-shr-tp10e1.dgn		DRAWN -	REVISED - BJH 8/12/2010		SCALE: SHEET NO. OF SHEETS STA. TO STA.			CONTRACT NO. 70550				
		CHECKED -	REVISED -		ILLINOIS FED. AID PROJECT							
		DATE -	REVISED -									

## PROPOSED TYPICAL CROSS SECTION ⑧



## PROPOSED TYPICAL CROSS SECTION ⑨

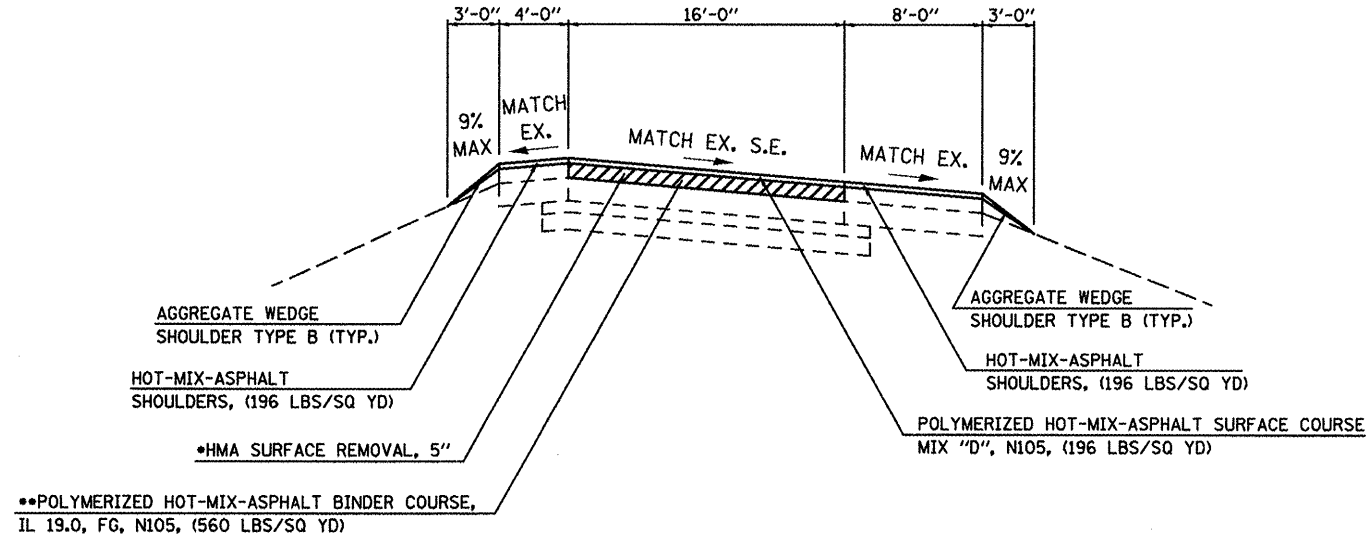


FILE NAME =	USER NAME = hogenbj	DESIGNED -	REVISED - BJH 8/10/2010	<b>STATE OF ILLINOIS DEPARTMENT OF TRANSPORTATION</b>	<b>PROPOSED TYPICAL SECTIONS</b>	F.A.I. RTE.	SECTION	COUNTY	TOTAL SHEETS	SHEET NO.
ct:\pw-work\pwwork\hogenbj\10158340\DS70550-sh-typical.dgn	DRAWN -	REVISED - BJH 8/12/2010	74			(57-20(1),21,22)RS-3	MCLEAN	150	26	
PLOT SCALE = 1/8" = 1' IN.	CHECKED -	REVISED -	CONTRACT NO. 70550							
PLOT DATE = 10/21/2010	DATE -	REVISED -	ILLINOIS FED. AID PROJECT							

## PROPOSED TYPICAL CROSS SECTION 10

OFF RAMP CB AND DA

	STATION TO STATION
CB	10+00.00 TO 28+63.98
DA	10+00.00 TO 27+60.49



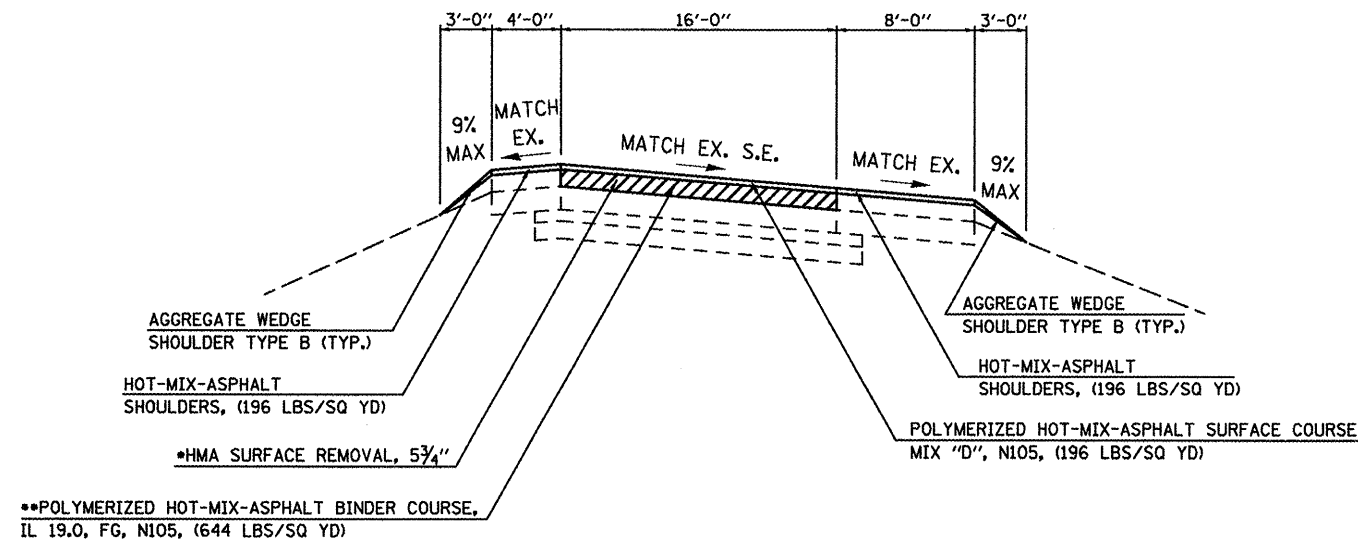
NOTES:

- FULL DEPTH SURFACE REMOVAL: THE SPECIFIED DEPTH IS INTENDED TO REMOVE THE FULL THICKNESS OF EXISTING HOT-MIX ASPHALT OVERLAY AND TO TEXTURE THE EXISTING CONCRETE PAVEMENT SURFACE.
- MULTIPLE LIFTS ARE REQUIRED.  
MIN 2/4"  
MAX 4/2"

## PROPOSED TYPICAL CROSS SECTION 11

ON RAMP AC AND BD

	STATION TO STATION
AC	10+24.00 TO 31+64.13
BD	10+24.00 TO 32+79.31



NOTES:

- FULL DEPTH SURFACE REMOVAL: THE SPECIFIED DEPTH IS INTENDED TO REMOVE THE FULL THICKNESS OF EXISTING HOT-MIX ASPHALT OVERLAY AND TO TEXTURE THE EXISTING CONCRETE PAVEMENT SURFACE.
- MULTIPLE LIFTS ARE REQUIRED.  
MIN 2/4"  
MAX 4/2"

FILE NAME =	USER NAME = hogenbj	DESIGNED -	REVISED - BJH 8/10/2010
ca:\pwwork\pwwork\hogenbj\158348\057059-shv-typ1021.dgn		DRAWN -	REVISED - BJH 8/12/2010
PLOT SCALE = 100.0000' / 1"		CHECKED -	REVISED -
PLOT DATE = 10/21/2010		DATE -	REVISED -

**STATE OF ILLINOIS  
DEPARTMENT OF TRANSPORTATION**

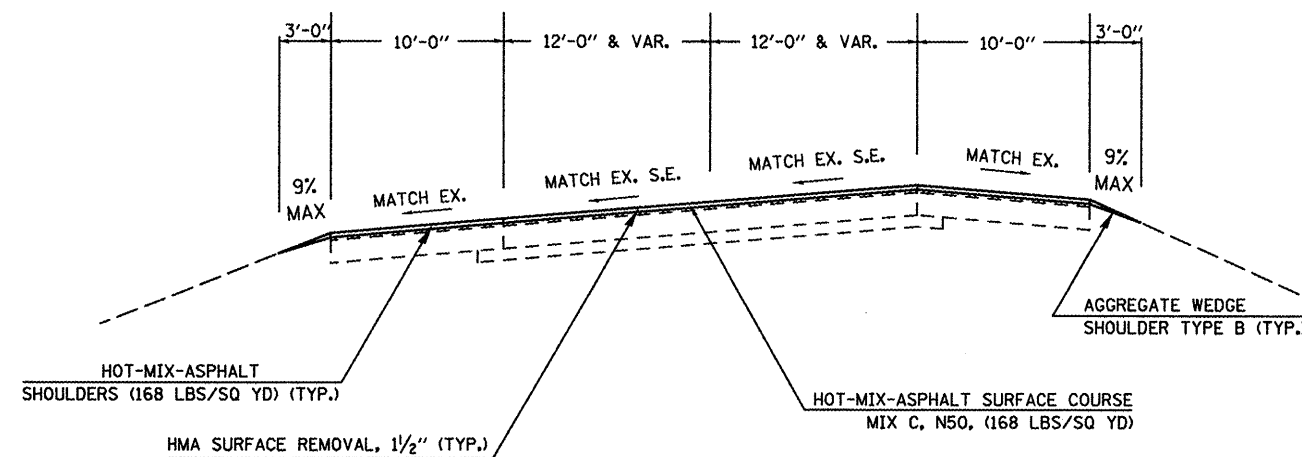
**PROPOSED TYPICAL SECTIONS**

F.A.I. RTE.	SECTION	COUNTY	TOTAL SHEETS	SHEET NO.
74	(57-20(1),21,22)RS-3	MCLEAN	150	27
CONTRACT NO. 70550				
ILLINOIS FED. AID PROJECT				

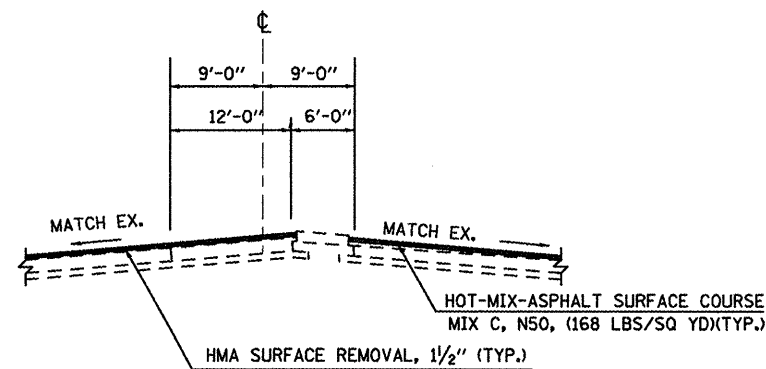
SCALE: SHEET NO. OF SHEETS STA. TO STA.

## PROPOSED TYPICAL CROSS SECTION 12

C.H. 36 - SUPERELEVATED & NORMAL W/O MEDIAN  
 STA. 16+92.44 - STA. 18+92.44  
 TRANSITION FROM NORMAL SECTION AT STA. 18+92.44 TO SEC 12 S.E. AT STA. 20+72.44  
 STA. 20+72.44 TO STA. 34+83.43  
 STA. 62+17.95 TO STA. 67+46.15  
 TRANSITION FROM SEC 12 S.E. STA. 67+46.15 TO WARP PAVEMENT TO MEET N+S RR STA. 68+96  
 MEET EXISTING CROWN SEMINARY ST. STA. 69+06 TO STA. 69+50

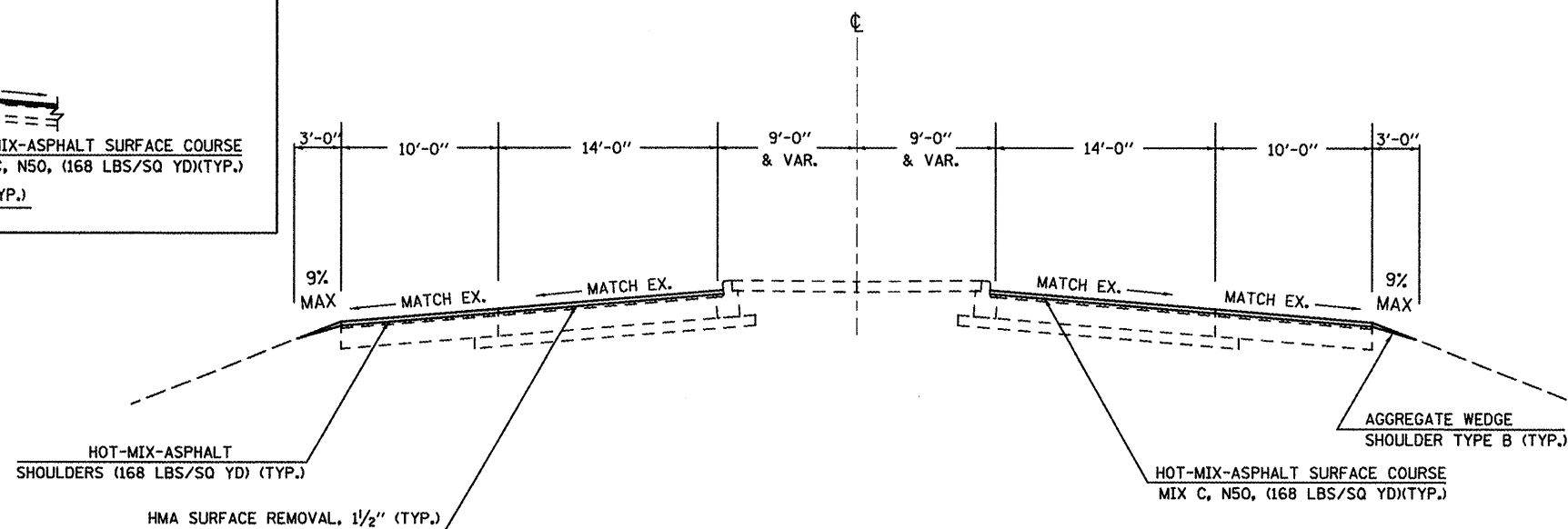


### DETAIL OF LEFT TURN LANES



## PROPOSED TYPICAL CROSS SECTION 13

C.H. 36 - NORMAL  
 STA. 43+84.24 - STA. 48+84.95  
 STA. 51+15.05 - STA. 60+67.95  
 TRANSITION FROM NORMAL SECTION 13 AT STA. 60+67.95 TO SEC 12 AT STA. 62+17.95



FILE NAME =	USER NAME = hogenbj	DESIGNED -	REVISED - BJH 8/10/2010
c:\pwwork\pwwork\hogenbj\d0158340\DS7050-sh-typical.dgn		DRAWN -	REVISED -
PLOT SCALE = 100.0000' / IN.		CHECKED -	REVISED -
PLOT DATE = 10/21/2010		DATE -	REVISED -

**STATE OF ILLINOIS  
 DEPARTMENT OF TRANSPORTATION**

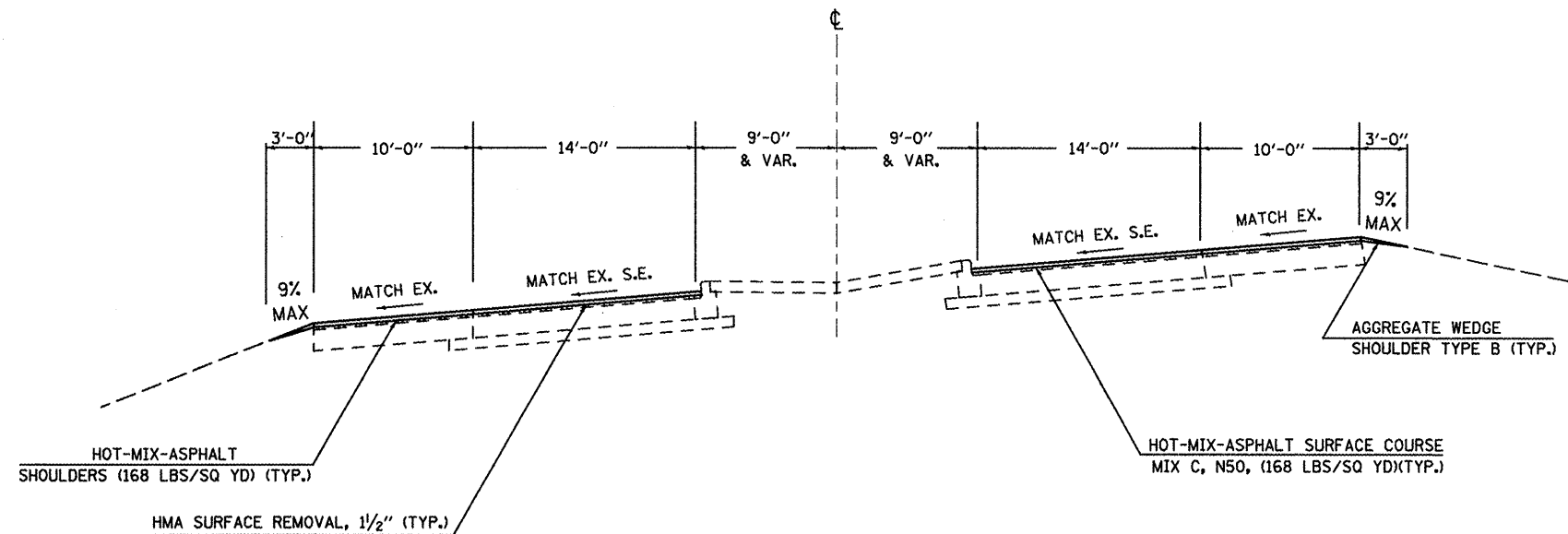
### PROPOSED TYPICAL SECTIONS

SCALE: SHEET NO. OF SHEETS STA. TO STA.

F.A.I. RTE.	SECTION	COUNTY	TOTAL SHEETS	SHEET NO.
74	(57-201), 21, 22, RS-3	MCCLEAN	150	28
CONTRACT NO. 70550				
ILLINOIS FED. AID PROJECT				

# PROPOSED TYPICAL CROSS SECTION 14

C.H. 36 - SUPERELEVATED  
 STA. 34+83.43 - STA. 42+04.24  
 TRANSITION FROM NORMAL SECTION 14 AT STA. 42+04.24 TO SEC 13 AT STA. 43+84.24



FILE NAME =	USER NAME = hogenbj	DESIGNED -	REVISED - BJH 8/10/2010	<b>STATE OF ILLINOIS DEPARTMENT OF TRANSPORTATION</b>	<b>PROPOSED TYPICAL SECTIONS</b>	F.A.I. RTE.	SECTION	COUNTY	TOTAL SHEETS	SHEET NO.
ca:\pvc\work\pvc\dot\hogenbj\0158340\0578	50-shr-typical.dgn	DRAWN -	REVISED -			74	(57-2011),21,22IRS-3	MCLEAN	150	29
PLOT SCALE = 100.0000' / IN.	CHECKED -	REVISED -				CONTRACT NO. 70550				
PLOT DATE = 10/21/2010	DATE -	REVISED -				ILLINOIS FED. AID PROJECT				
				SCALE:	SHEET NO. OF SHEETS	STA.	TO STA.			

## SCHEDULES OF QUANTITIES

### EARTH EXCAVATION

DESCRIPTION	EARTH EXCAVATION 20200100 (CU YD)	EARTH EXCAVATION ADJUSTED FOR SHRINKAGE (CU YD)	EMBANKMENT (CU YD)	EARTHWORK BALANCE WASTE (+) OR SHORTAGE (-) (CU YD)	FURNISHED EXCAVATION 20400800 (CU YD)
GUARDRAIL @ STA. 752+12 EBPS	0	0	20.7	-20.7	20.7
GUARDRAIL @ STA. 756+75 WBPS	0	0	13.3	-13.3	13.3
GUARDRAIL @ STA. 756+18 WBDS	0	0	46.6	-46.6	46.6
MEDIAN @ S.N. 057-0122	55.1	41.3	245.8	-204.5	204.5
MEDIAN @ S.N. 057-0123	105.3	79.0	82	-3.0	3.0
MEDIAN @ S.N. 057-0124	46.1	34.6	131.4	-96.8	96.8
MEDIAN @ S.N. 057-0127	69	51.8	249.5	-197.8	197.8
<b>TOTALS =</b>	<b>275.5</b>	<b>206.6</b>	<b>789.3</b>	<b>-582.7</b>	<b>582.7</b>
<b>ROUND TO:</b>	<b>280</b>				<b>600</b>

**NOTES:**

1. THE SHRINKAGE FACTOR USED IS 25%.
2. SHRINKAGE, EMBANKMENT AND BALANCE IS FOR INFORMATION ONLY.
3. NO PAYMENT WILL BE ALLOWED FOR OVERHAUL

### INCIDENTAL HOT-MIX ASPHALT

STATION	LOCATION	AREA (SQ YD)	40800010 BITUMINOUS MATERIALS (PRIME COAT) (GALLONS)	40800030 AGGREGATE (PRIME COAT) (TONS)	40800050 INCIDENTAL HMA SURFACING (TONS)	HMA SURFACE REMOVAL, BUTT JOINT 40600982 (SQ YD)
762+00	MEDIAN CROSSOVER	239.2	23.9	0.48	23.4	0
898+50	MEDIAN CROSSOVER	239.2	23.9	0.48	23.4	239.2
1051+68.8	MEDIAN CROSSOVER	239.2	23.9	0.48	23.4	0
	<b>TOTALS =</b>		<b>71.8</b>	<b>1.4</b>	<b>70.3</b>	<b>239.2</b>
	<b>ROUND TO:</b>		<b>75</b>	<b>2</b>	<b>75</b>	<b>240</b>

### TEMPORARY RAMPS

LOCATION	STATION	DEPTH (IN)	LENGTH (FT)	WIDTH (FT)	TEMPORARY RAMP 40600990 (SQ YD)
WBDL & EBDL	737+00	1.75	5.8	44.0	28.5
WBPL & EBPL	737+00	1.75	5.8	32.0	20.7
WBDL & EBDL	779+38	1.75	5.8	44.0	28.5
WBPL & EBPL	779+38	1.75	5.8	36.0	23.3
WB LANES	781+58	1.75	5.8	40.0	25.9
EB SHOULDERS	781+58	1.5	5.0	16.0	8.9
WB LANES	829+12	1.75	5.8	24.0	15.6
WB LANES	837+66	1.75	5.8	24.0	15.6
WB LANES	1037+74	1.75	5.8	40.0	25.9
EB SHOULDERS	1037+74	1.5	5.0	16.0	8.9
WB LANES & EBDL	1040+25	1.75	5.8	62.0	40.2
EBPL	1040+25	1.75	5.8	18.0	11.7
WB LANES & EBDL	1111+00	1.75	5.8	62.0	40.2
EBPL	1111+00	1.75	5.8	18.0	11.7
RAMPS @ I-74	VAR	1.75	5.8	1,000.0	648.1
RAMPS @ CH 36	VAR	1.75	5.8	672.0	435.6
CH 36	16+92	1.5	5.0	44.0	24.4
CH 36	48+85	1.5	5.0	48.0	26.7
CH 36	51+15	1.5	5.0	48.0	26.7
CH 36	68+96	1.5	5.0	44.0	24.4
CH 36	69+06	1.5	5.0	44.0	24.4
CH 36	69+50	1.5	5.0	44.0	24.4
<b>TOTAL =</b>					<b>1,540.4</b>
<b>ROUND TO:</b>					<b>1,600</b>

## SCHEDULES OF QUANTITIES

### DRAINAGE STRUCTURE IMPROVEMENT SUMMARY (SHEET 1 OF 3)

DRAINAGE STR. IMPROVEMENT #, S.N., & STA.	Grading and Shaping Ditches (FOOT) 21400100	Seeding, Class 2A (ACRE) 25000210	Nitrogen Fert. Nutr. (POUNDS) 25000400	Phosphorous Fert. Nutr. (POUNDS) 25000500	Potassium Fert. Nutr. (POUNDS) 25000600	Mulch Method 2 (ACRE) 25100115	Temp. Eros. Contr. Seeding (POUNDS) 28000250	Ditch Check Temporary (FOOT) 28000305	Inlet and Pipe Protection (EACH) 28000500	Stone Rip Rap Class A4 (SQ YD) 28100107	Filter Fabric (SQ YD) 28200200
#1. STA. 789+00 Lt.		0.009	0.81	0.81	0.81	0.009	0.9				
#2. STA. 804+55		0.005	0.45	0.45	0.45	0.005	0.5		1		
#3. STA. 825+00	14	0.014	1.26	1.26	1.26	0.014	1.4	10			
#4. STA. 834+17.5	98	0.052	4.68	4.68	4.68	0.052	5.2	10	2		
#5. STA. 847+44	123	0.065	5.85	5.85	5.85	0.065	6.5	10	2	109.3	109.3
#6. S.N. 057-8556, STA.858+38	20							10		29.8	29.8
#7. STA. 877+60.8	25	0.004	0.36	0.36	0.36	0.004	0.4	10		31.0	31.0
#8. STA. 891+00	65	0.004	0.36	0.36	0.36	0.004	0.4	10	1	30.6	30.6
#9. S.N. 057-8558, STA.895+62	72	0.023	2.1	2.1	2.1	0.023	2.3	10			
#10. STA. 907+15		0.009	0.81	0.81	0.81	0.009	0.9		1		
#11. STA. 908+76	42	0.023	2.07	2.07	2.07	0.023	2.3	10	1		
#12. STA. 919+32	27	0.009	0.81	0.81	0.81	0.009	0.9	10			
#13. STA. 928+65.5	13	0.005	0.45	0.45	0.45	0.005	0.5	15		31.1	31.1
#14. S.N. 057-8560, STA.932+47	15	0.01	0.9	0.9	0.9	0.01	1	15			
#15A. S.N. 057- 8562, STA.967+38	40	0.006	0.54	0.54	0.54	0.006	0.6			61.5	61.5
#15B. S.N. 057- 8582, STA.966+70.1 (FRONTAGE RD.)	33	0.009	0.81	0.81	0.81	0.009	0.9	20	1	58.3	58.3
#16. STA. 972+52	64							15	1	113.8	113.8
#17. S.N. 057- 8563, STA.990+56.5		0.009	0.81	0.81	0.81	0.009	0.9	15	1		
#18. STA. 1003+05		0.005	0.45	0.45	0.45	0.005	0.5	10	1		
#19. STA. 1021+00 Lt.		0.005	0.45	0.45	0.45	0.005	0.5				
#20. STA. 1069+62	25	0.009	0.81	0.81	0.81	0.009	0.9	10			
#21. STA. 18+00 WB ON-RAMP	305	0.133	11.97	11.97	11.97	0.133	13.3	15	2		
#22. STA. 25+38 EB OFF-RAMP	42	0.001	0.09	0.09	0.09	0.001	0.1	15	1	60.7	60.7
#23. STA. 1091+50		0.009	0.81	0.81	0.81	0.009	0.9		1		
<b>TOTALS</b>	<b>1023</b>	<b>0.418</b>	<b>37.65</b>	<b>37.65</b>	<b>37.65</b>	<b>0.418</b>	<b>41.8</b>	<b>220</b>	<b>16</b>	<b>526.1</b>	<b>526.1</b>
<b>ROUND TO</b>	<b>1,025</b>	<b>0.42</b>	<b>40</b>	<b>40</b>	<b>40</b>	<b>0.42</b>	<b>50</b>	<b>220</b>	<b>20</b>	<b>530</b>	<b>530</b>

FILE NAME *	USER NAME = hogenbj	DESIGNED -	REVISED -	<b>STATE OF ILLINOIS DEPARTMENT OF TRANSPORTATION</b>	<b>SCHEDULES OF QUANTITIES</b>	F.A.I. RTE.	SECTION	COUNTY	TOTAL SHEETS	SHEET NO.	
	550-shr-schedule.dgn	DRAWN -	REVISED -			74	(57-20(1),21,22)RS-3	MCLEAN	150	31	
	PLOT SCALE = 100.0000' / IN.	CHECKED -	REVISED -			SCALE: _____ SHEET NO. ____ OF ____ SHEETS STA. _____ TO STA. _____		CONTRACT NO. 70550			
	PLOT DATE = 10/20/2010	DATE -	REVISED -			ILLINOIS FED. AID PROJECT					

## SCHEDULES OF QUANTITIES

### DRAINAGE STRUCTURE IMPROVEMENT SUMMARY (SHEET 2 OF 3)

DRAINAGE STR. IMPROVEMENT #, S.N., & STA.	Paved Ditch Removal (FOOT) 44004000	Pipe Culvert Removal (FOOT) 50105220	Expansion Bolts 1/2 (EACH) 54002010	Precast Flared End Section 24" (EACH) 54213669	Flush Inlet Box For Median Standard 542546 (EACH) 54244405	Concrete Headwalls For Pipe Drains (EACH) 60100060	Concrete Collar (CU YD) 54248510	Pipe Culverts, Class A Ty 124" (FOOT) 542A0229	Storm Sewer Class B Ty 16" (FOOT) 550B0020	Storm Sewer Class B Ty 115" (FOOT) 550B0070	Storm Sewer Class B Ty 2 12" (FOOT) 550B0340
#1. STA. 789+00 Lt.				1			0.90				
#2. STA. 804+55			4				0.60		15		
#3. STA. 825+00							0.45				
#4. STA. 834+17.5		8	8		1		0.67	8			
#5. STA. 847+44	64		4		1		0.61		75	25	
#6. S.N. 057-8556, STA. 858+38											
#7. STA. 877+60.8											
#8. STA. 891+00	25					1	0.14		10		
#9. S.N. 057-8558, STA. 895+62											
#10. STA. 907+15					1		0.45		16		
#11. STA. 908+76					1		0.45		14		
#12. STA. 919+32											
#13. STA. 928+65.5											
#14. S.N. 057-8560, STA. 932+47											
#15A. S.N. 057- 8562, STA. 967+38			4				0.60		33		
#15B. S.N. 057- 8582, STA. 966+70.1 (FRONTAGE RD.)											
#16. STA. 972+52											
#17. S.N. 057- 8563, STA. 990+56.5			4				1.10			16	
#18. STA. 1003+05			4				0.13				
#19. STA. 1021+00 Lt.							0.45				
#20. STA. 1069+62											
#21. STA. 18+00 WB ON-RAMP											
#22. STA. 25+38 EB OFF-RAMP											
#23. STA. 1091+50		8	8		1		0.67	8			
<b>TOTALS</b>	<b>89</b>	<b>16</b>	<b>36</b>	<b>1</b>	<b>5</b>	<b>1</b>	<b>7.2</b>	<b>16</b>	<b>85</b>	<b>103</b>	<b>16</b>
<b>ROUND TO</b>	<b>100</b>	<b>16</b>	<b>40</b>	<b>1</b>	<b>5</b>	<b>1</b>	<b>7.2</b>	<b>16</b>	<b>85</b>	<b>103</b>	<b>16</b>

FILE NAME *	USER NAME = hoganbj	DESIGNED -	REVISED -	<b>STATE OF ILLINOIS DEPARTMENT OF TRANSPORTATION</b>	<b>SCHEDULES OF QUANTITIES</b>	F.A.I. RTE.	SECTION	COUNTY	TOTAL SHEETS	SHEET NO.	
	et\pwwork\pwwork\hoganbj\00158340\0570550-sh-t-schedule.dgn	DRAWN -	REVISED -			74	(57-2011), 21, 22, RS-3	MCLEAN	150	32	
	PLOT SCALE = 1/8" = 100.0000' / IN.	CHECKED -	REVISED -			SCALE: _____ SHEET NO. ___ OF ___ SHEETS STA. _____ TO STA. _____		CONTRACT NO. 70550			
	PLOT DATE = 10/20/2010	DATE -	REVISED -			ILLINOIS FED. AID PROJECT					



## SCHEDULES OF QUANTITIES

### DRAINAGE STRUCTURE IMPROVEMENT SUMMARY (SHEET 3 OF 3)

DRAINAGE STR. IMPROVEMENT #, S.N., & STA.	Storm Sewer Class B Ty 2 1/2" (FOOT) 550B0360	Storm Sewer Remove 6" (FOOT) 55100200	Storm Sewer Remove 12" (FOOT) 55100500	Storm Sewer Remove 15" (FOOT) 55100700	Woven Wire Fence, Remove (FOOT) 66502300	Barbed Wire Fence, Five Strand (FOOT) 66503200	Remove Concrete Flared End Section (EACH) X0322118	Tree Removal Acres, Special (ACRES) X2010350	Remove Inlet Box (EACH) X6050700	Box Culverts To Be Cleaned (FOOT) Z0005305	Culvert To Be Cleaned (FOOT) Z0014800
#1. STA. 789+00 Lt.							1				
#2. STA. 804+55				15							
#3. STA. 825+00							0.007			6	
#4. STA. 834+17.5								1			
#5. STA. 847+44		75		25			0.048	1		12	
#6. S.N. 057-8556, STA. 858+38											
#7. STA. 877+60.8							0.007				
#8. STA. 891+00											
#9. S.N. 057-8558, STA. 895+62					45	45	0.007				
#10. STA. 907+15				15				1			
#11. STA. 908+76				13				1		100	
#12. STA. 919+32					45	45			95		
#13. STA. 928+65.5											
#14. S.N. 057-8560, STA. 932+47					45	45					
#15A. S.N. 057- 8562, STA. 967+38				33							
#15B. S.N. 057- 8582, STA. 966+70.1 (FRONTAGE RD.)							0.016				
#16. STA. 972+52							0.016				
#17. S.N. 057- 8563, STA. 990+56.5	14		16	14			0.011				
#18. STA. 1003+05							0.023				
#19. STA. 1021+00 Lt.										8	
#20. STA. 1069+62										105	
#21. STA. 18+00 WB ON-RAMP									30		
#22. STA. 25+38 EB OFF-RAMP							0.002				
#23. STA. 1091+50								1			
<b>TOTALS</b>	14	75	16	115	135	135	1	0.137	5	125	231
<b>ROUND TO</b>	14	75	16	115	135	135	1	0.2	5	125	250

\* THICKNESS SHOWN FOR INFORMATION ONLY.

# SCHEDULES OF QUANTITIES

## HOT-MIX ASPHALT AND HOT-MIX ASPHALT SURFACE REMOVAL (SHEET 1 OF 8)

### WESTBOUND DRIVING LANE

LOCATION	STA.	TO	STA.	LENGTH (FEET)	WIDTH (FEET)	AREA (SQ YD)	BINDER THICKNESS (IN)	SURFACE THICKNESS (IN)	BIT. MATLS (PRIME COAT) 40600100 (GALLONS)	AGGREGATE (PRIME COAT) 40600300 (TON)	POLYMERIZED HMA BINDER COURSE, IL19.0, FG, N105 40603244 (TON)	POLYMERIZED HMA SURFACE COURSE, MIX "D", N105 40603550 (TON)	HMA SURFACE REMOVAL, 4 1/2" 44000167 (SQ YD)	HMA SURFACE REMOVAL, 5" 44000169 (SQ YD)	HMA SURFACE REMOVAL, 5 1/2" 44000171 (SQ YD)	POLYMERIZED HMA BINDER COURSE, N105 40603245 (TON)
WBDL BIND	737+00.		737+52.5	52.5	12.5	72.9	4.13	0	7.3	0.15	16.86			72.9		
WBDL BIND	737+52.5		771+92.5	3,440.0	12.5	4,777.8	5	0	477.8	9.56	1337.78			4777.8		
WBDL BIND	771+92.5		772+07.5	15.0	12.5	20.8	4.75	0	2.1	0.04	5.54		10.4	10.4		
WBDL BIND	772+07.5		778+85.97	678.5	12.5	942.3	4.5	0	94.2	1.88	237.46		942.3			
WBDL BIND	778+85.97		779+38.47	52.5	12.5	72.9	3.63	0	7.3	0.15	14.82		72.9			
WBDL SURF	737+00.		779+38.47	4,238.5	12.0	5,651.3	0	1.75				553.83				
OMMISION S.N. 057-0121	WBDL	779+38.47	781+58.39	219.9												
	WBDL	781+58.39	782+10.89	52.5	12.0	70.0	4.63	1.75	7.0	0.14	18.15	6.86			70.0	
	WBDL	782+10.89	828+59.25	4,648.4	12.0	6,197.8	5.5	1.75	619.8	12.40	1908.93	607.39			6,197.8	
OMMISION PCC PATCH	WBDL	828+59.25	829+11.75	52.5	12.0	70.0	4.63	1.75	7.0	0.14	18.15	6.86			70.0	
	WBDL	829+11.75	837+66.33	854.6												
	WBDL	837+66.33	838+18.83	52.5	12.0	70.0	4.63	1.75	7.0	0.14	18.15	6.86			70.0	
	WBDL	838+18.83	905+67.5	6,748.7	12.0	8,998.2	5.5	1.75	899.8	18.00	2771.45	881.83			8,998.2	
TRANS UNDER S.N. 057-0123	WBDL	905+67.5	906+20.	52.5	12.0	70.0	4.63	1.75	7.0	0.14	18.15	6.86			70.0	
TRANS UNDER S.N. 057-0123	WBDL	906+20.	909+25.	305.0	12.0	406.7	3.75	1.75	40.7	0.81	85.40	39.85			406.7	
TRANS UNDER S.N. 057-0123	WBDL	909+25.	909+77.5	52.5	12.0	70.0	4.63	1.75	7.0	0.14	18.15	6.86			70.0	
	WBDL	909+77.5	1005+74.5	9,597.0	12.0	12,796.0	5.5	1.75	1,279.6	25.59	3941.17	1254.01			12,796.0	
TRANS UNDER S.N. 057-0124	WBDL	1005+74.5	1006+27.	52.5	12.0	70.0	4.63	1.75	7.0	0.14	18.15	6.86			70.0	
TRANS UNDER S.N. 057-0124	WBDL	1006+27.	1009+32.	305.0	12.0	406.7	3.75	1.75	40.7	0.81	85.40	39.85			406.7	
TRANS UNDER S.N. 057-0124	WBDL	1009+32.	1009+84.5	52.5	12.0	70.0	4.63	1.75	7.0	0.14	18.15	6.86			70.0	
	WBDL	1009+84.5	1037+21.75	2,737.3	12.0	3,649.7	5.5	1.75	365.0	7.30	1124.10	357.67			3,649.7	
OMMISION S.N. 057-0126	WBDL	1037+21.75	1037+74.25	52.5	12.0	70.0	4.63	1.75	7.0	0.14	18.15	6.86			70.0	
	WBDL	1037+74.25	1040+25.75	251.5												
	WBDL	1040+25.75	1040+78.25	52.5	12.0	70.0	4.63	1.75	7.0	0.14		6.86			70.0	18.15
	WBDL	1040+78.25	1088+30.	4,751.8	12.0	6,335.7	5.5	1.75	633.6	12.67		620.90			6,335.7	1951.39
TRANS UNDER S.N. 057-0127	WBDL	1088+30.	1088+82.5	52.5	12.0	70.0	4.63	1.75	7.0	0.14		6.86			70.0	18.15
TRANS UNDER S.N. 057-0127	WBDL	1088+82.5	1091+97.5	315.0	12.0	420.0	3.75	1.75	42.0	0.84		41.16			420.0	88.20
TRANS UNDER S.N. 057-0127	WBDL	1091+97.5	1092+50.	52.5	12.0	70.0	4.63	1.75	7.0	0.14		6.86			70.0	18.15
	WBDL	1092+50.	1110+47.5	1,797.5	12.0	2,396.7	5.5	1.75	239.7	4.79		234.87			2,396.7	738.17
	WBDL	1110+47.5	1111+00.	52.5	12.0	70.0	4.63	1.75	7.0	0.14		6.86			70.0	18.15
<b>WBDL TOTALS =</b>									<b>4,833.4</b>	<b>96.7</b>	<b>11,674.1</b>	<b>4,713.7</b>	<b>1,025.6</b>	<b>4,861.1</b>	<b>42,447.4</b>	<b>2,850.4</b>

FILE NAME =	USER NAME = hogenbj	DESIGNED -	REVISED -	<b>STATE OF ILLINOIS DEPARTMENT OF TRANSPORTATION</b>	<b>SCHEDULES OF QUANTITIES</b>	F.A.I. RTE.	SECTION	COUNTY	TOTAL SHEETS	SHEET NO.	
c:\piv_work\pivdot\hogenbj\0158340\0570127	057-sht-schedule.dgn	DRAWN -	REVISED -			74	(57-201),21,22RS-3	MCLEAN	150	34	
PLOT SCALE = 1/8" = 1' IN.	CHECKED -	REVISED -	SCALE: _____			SHEET NO. _____ OF _____ SHEETS	STA. _____ TO STA. _____	ILLINOIS FED. AID PROJECT			
PLOT DATE = 10/28/2010	DATE -	REVISED -	CONTRACT NO. 70550								

\* THICKNESS SHOWN FOR INFORMATION ONLY.

# SCHEDULES OF QUANTITIES

## HOT-MIX ASPHALT AND HOT-MIX ASPHALT SURFACE REMOVAL (SHEET 2 OF 8)

### WESTBOUND PASSING LANE

LOCATION	STA.	TO	STA.	LENGTH (FEET)	WIDTH (FEET)	AREA (SQ YD)	* BINDER THICKNESS (IN)	SURFACE THICKNESS (IN)	BIT. MATLS (PRIME COAT) 40600100 (GALLONS)	AGGREGATE (PRIME COAT) 40600300 (TON)	POLYMERIZED HMA SURFACE COURSE, MIX "C", N105 40603525 (TON)	POLYMERIZED HMA SURFACE COURSE, MIX "D", N105 40603550 (TON)	HMA SURFACE REMOVAL, BUTT JOINT 40600982 (SQ YD)	HMA SURFACE REMOVAL, VAR. DEPTH X4401198 (SQ YD)	HMA SURFACE REMOVAL, 1 1/2" 44000155 (SQ YD)	HMA SURFACE REMOVAL, 1 3/4" 44000156 (SQ YD)
WBPL	737+00.		737+52.5	52.5	12.0	70.0	1.5	1.75	7.0	0.14	5.88	6.86			70.0	
WBPL	737+52.5		778+85.97	4,133.5	12.0	5,511.3	1.5	1.75	551.1	11.02	462.95	540.11			5,511.3	
WBPL	778+85.97		779+38.47	52.5	12.0	70.0	1.5	1.75	7.0	0.14	5.88	6.86			70.0	
WBPL	779+38.47		781+58.39	219.9												
WBPL	781+58.39		782+10.89	52.5	12.0	70.0	0	1.75	7.0	0.14		6.86	70.00			
WBPL	782+10.89		828+59.25	4,648.4	12.0	6,197.8	0	1.75	619.8	12.40		607.39		6,197.8		
WBPL	828+59.25		829+11.75	52.5	12.0	70.0	0	1.75	7.0	0.14		6.86	70.00			
WBPL	829+11.75		837+66.33	854.6												
WBPL	837+66.33		838+18.83	52.5	12.0	70.0	0	1.75	7.0	0.14		6.86	70.00			
WBPL	838+18.83		905+67.5	6,748.7	12.0	8,998.2	0	1.75	899.8	18.00		881.83		8,998.2		
WBPL	905+67.5		906+20.	52.5	12.0	70.0	0	1.75	7.0	0.14		6.86				70.0
WBPL	906+20.		909+25.	305.0	12.0	406.7	0	1.75	40.7	0.81		39.85				406.7
WBPL	909+25.		909+77.5	52.5	12.0	70.0	0	1.75	7.0	0.14		6.86				70.0
WBPL	909+77.5		1005+74.5	9,597.0	12.0	12,796.0	0	1.75	1,279.6	25.59		1254.01		12,796.0		
WBPL	1005+74.5		1006+27.	52.5	12.0	70.0	0	1.75	7.0	0.14		6.86				70.0
WBPL	1006+27.		1009+32.	305.0	12.0	406.7	0	1.75	40.7	0.81		39.85				406.7
WBPL	1009+32.		1009+84.5	52.5	12.0	70.0	0	1.75	7.0	0.14		6.86				70.0
WBPL	1009+84.5		1037+21.75	2,737.3	12.0	3,649.7	0	1.75	365.0	7.30		357.67		3,649.7		
WBPL	1037+21.75		1037+74.25	52.5	12.0	70.0	0	1.75	7.0	0.14		6.86	70.00			
WBPL	1037+74.25		1040+25.75	251.5												
WBPL	1040+25.75		1040+78.25	52.5	12.0	70.0	0	1.75	7.0	0.14		6.86	70.00			
WBPL	1040+78.25		1088+30.	4,751.8	12.0	6,335.7	0	1.75	633.6	12.67		620.90		6,335.7		
WBPL	1088+30.		1088+82.5	52.5	12.0	70.0	0	1.75	7.0	0.14		6.86				70.0
WBPL	1088+82.5		1091+97.5	315.0	12.0	420.0	0	1.75	42.0	0.84		41.16				420.0
WBPL	1091+97.5		1092+50.	52.5	12.0	70.0	0	1.75	7.0	0.14		6.86				70.0
WBPL	1092+50.		1110+47.5	1,797.5	12.0	2,396.7	0	1.75	239.7	4.79		234.87		2,396.7		
WBPL	1110+47.5		1111+00.	52.5	12.0	70.0	0	1.75	7.0	0.14		6.86	70.00			
WBPL TOTALS =									4,809.9	96.2	474.7	4,713.7	420.0	40,374.0	5,651.3	1,653.3

\* THICKNESS SHOWN FOR INFORMATION ONLY.

## SCHEDULES OF QUANTITIES

### HOT-MIX ASPHALT AND HOT-MIX ASPHALT SURFACE REMOVAL (SHEET 3 OF 8)

#### EASTBOUND DRIVING LANE

LOCATION	STA.	TO	STA.	LENGTH (FEET)	WIDTH (FEET)	AREA (SQ YD)	* BINDER THICKNESS (IN)	SURFACE THICKNESS (IN)	BIT. MATLS (PRIME COAT) 40600100 (GALLONS)	AGGREGATE (PRIME COAT) 40600300 (TON)	POLYMERIZED HMA BINDER COURSE, IL19.0, FG, N105 40603244 (TON)	POLYMERIZED HMA SURFACE COURSE, MIX "D", N105 40603550 (TON)	HMA SURFACE REMOVAL, 6 1/2" 44000175 (SQ YD)	HMA SURFACE REMOVAL, 8" 44000182 (SQ YD)
EBDL BIND	737+00.		737+52.5	52.5	12.5	72.9	7.13	0	7.3	0.15	29.11			72.9
EBDL BIND	737+52.5		778+85.97	4,133.5	12.5	5,740.9	8	0	574.1	11.48	2571.94			5,740.9
APPROACH S.N. 057-0120 DEPART S.N. 057-0125	EBDL BIND	778+85.97		779+38.47	52.5	72.9	7.13	0	7.3	0.15	29.11			72.9
	EBDL BIND	1040+25.25		1040+77.75	52.5	72.9	5.63	0	7.3	0.15	22.99		72.9	
TRANS UNDER S.N. 057-0127	EBDL BIND	1040+77.75		1088+37.5	4,759.8	6,610.8	6.5	0	661.1	13.22	2406.32		6,610.8	
TRANS UNDER S.N. 057-0127	EBDL BIND	1088+37.5		1088+90.	52.5	72.9	5.63	0	7.3	0.15	22.99		72.9	
TRANS UNDER S.N. 057-0127	EBDL BIND	1088+90.		1092+05.	315.0	437.5	4.75	0	43.8	0.88	116.38		437.5	
	EBDL BIND	1092+05.		1092+57.5	52.5	72.9	5.63	0	7.3	0.15	22.99		72.9	
	EBDL BIND	1092+57.5		1110+47.5	1,790.0	2,486.1	6.5	0	248.6	4.97	904.94		2,486.1	
	EBDL BIND	1110+47.5		1111+00.	52.5	72.9	5.63	0	7.3	0.15	22.99		72.9	
	EBDL SURF	737+00.		779+38.47	4,238.5	5,651.3	0	1.75				553.83		
	EBDL SURF	1040+25.25		1111+00.	7,074.8	9,433.0	0	1.75				924.43		
<b>EBDL TOTALS =</b>									<b>1,571.3</b>	<b>31.4</b>	<b>6,149.8</b>	<b>1,478.3</b>	<b>9,826.0</b>	<b>5,886.8</b>

#### EASTBOUND PASSING LANE

LOCATION	STA.	TO	STA.	LENGTH (FEET)	WIDTH (FEET)	AREA (SQ YD)	* BINDER THICKNESS (IN)	SURFACE THICKNESS (IN)	BIT. MATLS (PRIME COAT) 40600100 (GALLONS)	AGGREGATE (PRIME COAT) 40600300 (TON)	POLYMERIZED HMA SURFACE COURSE, MIX "C", N105 40603525 (TON)	POLYMERIZED HMA SURFACE COURSE, MIX "D", N105 40603550 (TON)	HMA SURFACE REMOVAL, 1 1/2" 44000155 (SQ YD)	HMA SURFACE REMOVAL, 3 1/4" 44000162 (SQ YD)
EBPL	737+00.		737+52.5	52.5	12.0	70.0	1.5	1.75	7.0	0.14	5.88	6.86	70.0	
EBPL	737+52.5		778+85.97	4,133.5	12.0	5,511.3	1.5	1.75	551.1	11.02	462.95	540.11	5,511.3	
APPROACH S.N. 057-0120 DEPART S.N. 057-0125	EBPL	778+85.97		779+38.47	52.5	70.0	1.5	1.75	7.0	0.14	5.88	6.86	70.0	
	EBPL	1040+25.25		1040+77.75	52.5	70.0	1.5	1.75	7.0	0.14	5.88	6.86	70.0	
TRANS UNDER S.N. 057-0127	EBPL	1040+77.75		1088+37.5	4,759.8	6,346.3	1.5	1.75	634.6	12.69	533.09	621.94	6,346.3	
TRANS UNDER S.N. 057-0127	EBPL	1088+37.5		1088+90.	52.5	70.0	1.5	1.75	7.0	0.14	5.88	6.86		70.0
TRANS UNDER S.N. 057-0127	EBPL	1088+90.		1092+05.	315.0	420.0	1.5	1.75	42.0	0.84	35.28	41.16		420.0
TRANS UNDER S.N. 057-0127	EBPL	1092+05.		1092+57.5	52.5	70.0	1.5	1.75	7.0	0.14	5.88	6.86		70.0
	EBPL	1092+57.5		1110+47.5	1,790.0	2,386.7	1.5	1.75	238.7	4.77	200.48	233.89	2,386.7	
	EBPL	1110+47.5		1111+00.	52.5	70.0	1.5	1.75	7.0	0.14	5.88	6.86	70.0	
<b>EBPL TOTALS =</b>									<b>1,508.4</b>	<b>30.2</b>	<b>1,267.1</b>	<b>1,478.3</b>	<b>14,524.3</b>	<b>560.0</b>

\* THICKNESS SHOWN FOR INFORMATION ONLY.

## SCHEDULES OF QUANTITIES

### HOT-MIX ASPHALT AND HOT-MIX ASPHALT SURFACE REMOVAL (SHEET 4 OF 8)

#### MAINLINE RAMPS

	LOCATION	STA.	TO	STA.	LENGTH (FEET)	WIDTH (FEET)	AREA (SQ YD)	* BINDER THICKNESS (IN)	SURFACE THICKNESS (IN)	BIT. MATLS (PRIME COAT) 40600100 (GALLONS)	AGGREGATE (PRIME COAT) 40600300 (TON)	POLYMERIZED HMA BINDER COURSE, IL19.0, FG, N105 40603244 (TON)	POLYMERIZED HMA SURFACE COURSE, MIX "D", N105 40603550 (TON)	HMA SURFACE REMOVAL, 5" 44000169 (SQ YD)	HMA SURFACE REMOVAL, 5 3/4" 44000172 (SQ YD)
WESTBOUND OFF	RAMP DA	10+00.		27+60.49	1,760.5	16 +/-	3,369.7	5	1.75	337.0	6.74	943.52	330.23	3,369.7	
EASTBOUND OFF	RAMP CB	10+00.		28+63.98	1,864.0	16 +/-	3,139.6	5	1.75	314.0	6.28	879.09	307.68	3,139.6	
WESTBOUND ON	RAMP AC	10+24.		31+64.13	2,140.1	16 +/-	3,174.3	5.75	1.75	317.4	6.35	1022.12	311.08		3,174.3
EASTBOUND ON	RAMP BD	10+24.		32+79.31	2,255.3	16 +/-	3,392.6	5.75	1.75	339.3	6.79	1092.42	332.47		3,392.6
RAMP TOTALS =										1,307.6	26.2	3,937.1	1,281.5	6,509.3	6,566.9

#### RAMP SHOULDERS

	LOCATION	STA.	TO	STA.	LENGTH (FEET)	WIDTH (FEET)	AREA (SQ YD)	* BINDER THICKNESS (IN)	SURFACE THICKNESS (IN)	BIT. MATLS (PRIME COAT) 40600100 (GALLONS)	AGGREGATE (PRIME COAT) 40600300 (TON)	HOT-MIX ASPHALT SHOULDERS 48203100 (TON)
WESTBOUND OFF	RAMP DA SHLD	10+00.		27+60.49	1,760.5	12' +/-	2,110.9	0	1.75	211.1	4.22	206.9
EASTBOUND OFF	RAMP CB SHLD	10+00.		28+63.98	1,864.0	12' +/-	2,248.9	0	1.75	224.9	4.50	220.4
WESTBOUND ON	RAMP AC SHLD	10+24.		31+64.13	2,140.1	12' +/-	2,431.7	0	1.75	243.2	4.86	238.3
EASTBOUND ON	RAMP BD SHLD	10+24.		32+79.31	2,255.3	12' +/-	2,584.9	0	1.75	258.5	5.17	253.3
RAMP SHLD TOTALS =										937.6	18.8	918.9

#### MAINLINE COUNTY HIGHWAY 36

	LOCATION	STA.	TO	STA.	LENGTH (FEET)	WIDTH (FEET)	AREA (SQ YD)	* BINDER THICKNESS (IN)	SURFACE THICKNESS (IN)	BIT. MATLS (PRIME COAT) 40600100 (GALLONS)	AGGREGATE (PRIME COAT) 40600300 (TON)	POLYMERIZED HMA SURFACE COURSE, MIX "C", N50 40603310 (TON)	HMA SURFACE REMOVAL, 1 1/2" 44000155 (SQ YD)
	CH 36	16+92.44		69+50.	5,257.6	VAR	15,505.3	0	1.5	1,550.5	31.01	1302.45	15,505.3

#### COUNTY HIGHWAY 36 SHOULDERS

	LOCATION	STA.	TO	STA.	LENGTH (FEET)	WIDTH (FEET)	AREA (SQ YD)	* BINDER THICKNESS (IN)	SURFACE THICKNESS (IN)	BIT. MATLS (PRIME COAT) 40600100 (GALLONS)	AGGREGATE (PRIME COAT) 40600300 (TON)	HMA SURFACE REMOVAL, 1 1/2" 44000155 (SQ YD)	HOT-MIX ASPHALT SHOULDERS 48203100 (TON)
	CH 36 SHLD	16+92.44		69+50.	5,257.6	20' +/-	11,149.9	0	1.5	1,115.0	22.30	11149.9	936.6

\* THICKNESS SHOWN FOR INFORMATION ONLY.

## SCHEDULES OF QUANTITIES

### HOT-MIX ASPHALT AND HOT-MIX ASPHALT SURFACE REMOVAL (SHEET 5 OF 8)

#### WESTBOUND DRIVING SHOULDER

LOCATION	STA.	TO	STA.	LENGTH (FEET)	WIDTH (FEET)	AREA (SQ YD)	* BINDER THICKNESS (IN)	SURFACE THICKNESS (IN)	BIT. MATLS (PRIME COAT) 40600100 (GALLONS)	AGGREGATE (PRIME COAT) 40600300 (TON)	HMA SURFACE REMOVAL, BUTT JOINT 40600982 (SQ YD)	HMA SURFACE REMOVAL, 1 1/2" 44000155 (SQ YD)	HMA SURFACE REMOVAL, 1 3/4" 44000156 (SQ YD)	HOT-MIX ASPHALT SHOULDERS 48203100 (TON)
	WBDS	737+00.	737+52.5	52.5	10.0	58.3	0	1.75	5.8	0.12	58.33			5.7
	WBDS	737+52.5	778+85.97	4,133.5	10.0	4,592.7	0	1.75	459.3	9.19				450.1
OMMISION S.N. 057-0121	WBDS	778+85.97	779+38.47	52.5	10.0	58.3	0	1.75	5.8	0.12	58.33			5.7
	WBDS	779+38.47	781+58.39	219.9										
	WBDS	781+58.39	782+10.89	52.5	10.0	58.3	0	1.75	5.8	0.12	58.33			5.7
	WBDS	782+10.89	828+59.25	4,648.4	10.0	5,164.8	0	1.75	516.5	10.33				506.2
PCC PATCH	WBDS	828+59.25	829+11.75	52.5	10.0	58.3	0	1.75	5.8	0.12	58.33			5.7
	WBDS	829+11.75	837+66.33	854.6	10.0	949.5	0	1.5	95.0	1.90		949.5		79.8
	WBDS	837+66.33	838+18.83	52.5	10.0	58.3	0	1.75	5.8	0.12	58.33			5.7
	WBDS	838+18.83	905+67.5	6,748.7	10.0	7,498.5	0	1.75	749.9	15.00				734.9
TRANS UNDER S.N. 057-0123	WBDS	905+67.5	906+20.	52.5	10.0	58.3	0	1.75	5.8	0.12			58.3	5.7
TRANS UNDER S.N. 057-0123	WBDS	906+20.	909+25.	305.0	10.0	338.9	0	1.75	33.9	0.68			338.9	33.2
TRANS UNDER S.N. 057-0123	WBDS	909+25.	909+77.5	52.5	10.0	58.3	0	1.75	5.8	0.12			58.3	5.7
	WBDS	909+77.5	1005+74.5	9,597.0	10.0	10,663.3	0	1.75	1,066.3	21.33				1,045.0
TRANS UNDER S.N. 057-0124	WBDS	1005+74.5	1006+27.	52.5	10.0	58.3	0	1.75	5.8	0.12			58.3	5.7
TRANS UNDER S.N. 057-0124	WBDS	1006+27.	1009+32.	305.0	10.0	338.9	0	1.75	33.9	0.68			338.9	33.2
TRANS UNDER S.N. 057-0124	WBDS	1009+32.	1009+84.5	52.5	10.0	58.3	0	1.75	5.8	0.12			58.3	5.7
	WBDS	1009+84.5	1037+21.75	2,737.3	10.0	3,041.4	0	1.75	304.1	6.08				298.1
OMMISION S.N. 057-0126	WBDS	1037+21.75	1037+74.25	52.5	10.0	58.3	0	1.75	5.8	0.12	58.33			5.7
	WBDS	1037+21.75	1040+25.25	303.5										
	WBDS	1040+25.25	1040+77.75	52.5	10.0	58.3	0	1.75	5.8	0.12	58.33			5.7
	WBDS	1040+77.75	1088+30.	4,752.3	10.0	5,280.3	0	1.75	528.0	10.56				517.5
TRANS UNDER S.N. 057-0127	WBDS	1088+30.	1088+82.5	52.5	10.0	58.3	0	1.75	5.8	0.12			58.3	5.7
TRANS UNDER S.N. 057-0127	WBDS	1088+82.5	1091+97.5	315.0	10.0	350.0	0	1.75	35.0	0.70			350.0	34.3
TRANS UNDER S.N. 057-0127	WBDS	1091+97.5	1092+50.	52.5	10.0	58.3	0	1.75	5.8	0.12			58.3	5.7
	WBDS	1092+50.	1110+47.5	1,797.5	10.0	1,997.2	0	1.75	199.7	3.99				195.7
	WBDS	1110+47.5	1111+00.	52.5	10.0	58.3	0	1.75	5.8	0.12	58.33			5.7
<b>WBDS TOTALS</b>									<b>4,103.2</b>	<b>82.1</b>	<b>466.7</b>	<b>949.5</b>	<b>1,377.8</b>	<b>4,007.9</b>

FILE NAME =	USER NAME = hoganbj	DESIGNED -	REVISED -	<b>STATE OF ILLINOIS DEPARTMENT OF TRANSPORTATION</b>	<b>SCHEDULES OF QUANTITIES</b>	F.A.I. RTE.	SECTION	COUNTY	TOTAL SHEETS	SHEET NO.	
ca:\pwwork\pwwork\hoganbj\d0156340\057052-sht-quantity.dgn		DRAWN -	REVISED -			74	(57-20(1),21,22)RS-3	MCLEAN	150	38	
PLOT SCALE = 1/8" = 1' IN.		CHECKED -	REVISED -			SCALE: _____ SHEET NO. ___ OF ___ SHEETS STA. _____ TO STA. _____		CONTRACT NO. 70550			
PLOT DATE = 10/20/2010		DATE -	REVISED -			ILLINOIS FED. AID PROJECT					

\* THICKNESS SHOWN FOR INFORMATION ONLY.

# SCHEDULES OF QUANTITIES

## HOT-MIX ASPHALT AND HOT-MIX ASPHALT SURFACE REMOVAL (SHEET 6 OF 8)

### WESTBOUND PASSING SHOULDER

LOCATION	STA.	TO	STA.	LENGTH (FEET)	WIDTH (FEET)	AREA (SQ YD)	* BINDER THICKNESS (IN)	SURFACE THICKNESS (IN)	BIT. MATLS (PRIME COAT) 40600100 (GALLONS)	AGGREGATE (PRIME COAT) 40600300 (TON)	POLYMERIZED HMA SURFACE COURSE, MIX "C", N90 40603320 (TON)	HMA SURFACE REMOVAL, BUTT JOINT 40600982 (SQ YD)	HMA SURFACE REMOVAL, 1 1/2" 44000155 (SQ YD)	HMA SURFACE REMOVAL, 1 3/4" 44000156 (SQ YD)	HMA SURFACE REMOVAL, 2 1/4" 44000158 (SQ YD)	HOT-MIX ASPHALT SHOULDERS 48203100 (TON)	
WBPS	737+00.		737+52.5	52.5	4.0	23.3	0	1.75	2.3	0.05		23.33				2.3	
WBPS	737+52.5		772+00.	3,447.5	4.0	1,532.2	0	1.75	153.2	3.06						150.2	
WBPS	772+00.		778+85.97	686.0	6.0	457.3	0	1.75	45.7	0.91						44.8	
WBPS	778+85.97		779+38.47	52.5	6.0	35.0	0	1.75	3.5	0.07		35.00				3.4	
OMMISION S.N. 057-0121	WBPS	779+38.47	781+58.39	219.9													
	WBPS	781+58.39	782+10.89	52.5	6.0	35.0	0	1.75	3.5	0.07		35.00				3.4	
	WBPS	782+10.89	828+59.25	4,648.4	6.0	3,098.9	0	1.75	309.9	6.20						303.7	
PCC PATCH	WBPS	828+59.25	829+11.75	52.5	6.0	35.0	0	1.75	3.5	0.07		35.00				3.4	
	WBPS	829+11.75	837+66.33	854.6	6.0	569.7	0	1.5	57.0	1.14			569.7			47.9	
	WBPS	837+66.33	838+18.83	52.5	6.0	35.0	0	1.75	3.5	0.07		35.00				3.4	
	WBPS	838+18.83	905+67.5	6,748.7	6.0	4,499.1	0	1.75	449.9	9.00						440.9	
TRANS UNDER S.N. 057-0123	WBPS	905+67.5	906+20.	52.5	6.0	35.0	0	1.75	3.5	0.07			35.0			3.4	
TRANS UNDER S.N. 057-0123	WBPS	906+20.	909+25.	305.0	6.0	203.3	0	1.75	20.3	0.41			203.3			19.9	
TRANS UNDER S.N. 057-0123	WBPS	909+25.	909+77.5	52.5	6.0	35.0	0	1.75	3.5	0.07			35.0			3.4	
	WBPS	909+77.5	1005+74.5	9,597.0	6.0	6,398.0	0	1.75	639.8	12.80						627.0	
TRANS UNDER S.N. 057-0124	WBPS	1005+74.5	1006+27.	52.5	6.0	35.0	0	1.75	3.5	0.07			35.0			3.4	
TRANS UNDER S.N. 057-0124	WBPS	1006+27.	1009+32.	305.0	6.0	203.3	0	1.75	20.3	0.41			203.3			19.9	
TRANS UNDER S.N. 057-0124	WBPS	1009+32.	1009+84.5	52.5	6.0	35.0	0	1.75	3.5	0.07			35.0			3.4	
	WBPS	1009+84.5	1037+21.75	2,737.3	6.0	1,824.8	0	1.75	182.5	3.65						178.8	
OMMISION S.N. 057-0126	WBPS	1037+21.75	1037+74.25	52.5	6.0	35.0	0	1.75	3.5	0.07		35.00				3.4	
	WBPS	1037+74.25	1040+25.25	251.0													
	WBPS	1040+25.25	1040+77.75	52.5	6.0	35.0	0	1.75	3.5	0.07		35.00				3.4	
	WBPS	1040+77.75	1088+30.	4,752.3	6.0	3,168.2	0	1.75	316.8	6.34						310.5	
TRANS UNDER S.N. 057-0127	WBPS	1088+30.	1088+82.5	52.5	6.0	35.0	0	1.75	3.5	0.07			35.0			3.4	
TRANS UNDER S.N. 057-0127	WBPS	1088+82.5	1091+97.5	315.0	6.0	210.0	0	1.75	21.0	0.42			210.0			20.6	
TRANS UNDER S.N. 057-0127	WBPS	1091+97.5	1092+50.	52.5	6.0	35.0	0	1.75	3.5	0.07			35.0			3.4	
	WBPS	1092+50.	1110+47.5	1,797.5	6.0	1,198.3	0	1.75	119.8	2.40						117.4	
	WBPS	1110+47.5	1111+00.	52.5	6.0	35.0	0	1.75	3.5	0.07		35.00				3.4	
OMMISION S.N. 057-0121	WBPS 4' INLAY	737+00.	779+38.47	4,238.5	4.0	1,883.8	2.25	0	188.4	3.77	237.35				1,883.8		
	WBPS 4' INLAY	779+38.47	781+58.39														
OMMISION PCC PATCH	WBPS 4' INLAY	781+58.39	829+11.75	4,753.4	4.0	2,112.6	2.25	0	211.3	4.23	266.19				2,112.6		
	WBPS 4' INLAY	829+11.75	837+66.33														
OMMISION S.N. 057-0126	WBPS 4' INLAY	837+66.33	1037+74.25	20,007.9	4.0	8,892.4	2.25	0	889.2	17.78	1120.44				8,892.4		
	WBPS 4' INLAY	1037+74.25	1040+25.75														
	WBPS 4' INLAY	1040+25.75	1116+00.	7,574.3	4.0	3,366.3	2.25	0	336.6	6.73	424.16				3,366.3		
									WBPS TOTALS =	4,009.7	80.2	2,048.1	268.3	569.7	826.7	16,255.1	2,328.5

\* THICKNESS SHOWN FOR INFORMATION ONLY.

## SCHEDULES OF QUANTITIES

### HOT-MIX ASPHALT AND HOT-MIX ASPHALT SURFACE REMOVAL (SHEET 7 OF 8)

#### EASTBOUND DRIVING SHOULDER

LOCATION	STA.	TO	STA.	LENGTH (FEET)	WIDTH (FEET)	AREA (SQ YD)	* BINDER THICKNESS (IN)	SURFACE THICKNESS (IN)	BIT. MATLS (PRIME COAT) 40600100 (GALLONS)	AGGREGATE (PRIME COAT) 40600300 (TON)	HMA SURFACE REMOVAL, BUTT JOINT 40600982 (SQ YD)	HMA SURFACE REMOVAL, 1 1/2" 44000155 (SQ YD)	HMA SURFACE REMOVAL, 1 3/4" 44000156 (SQ YD)	HOT-MIX ASPHALT SHOULDERS 48203100 (TON)
EBDS	737+00.		737+52.5	52.5	10.0	58.3	0	1.75	5.8	0.12	58.33			5.7
EBDS	737+52.5		778+85.97	4,133.5	10.0	4,592.7	0	1.75	459.3	9.19				450.1
EBDS	778+85.97		779+38.47	52.5	10.0	58.3	0	1.75	5.8	0.12	58.33			5.7
EBDS	779+38.47		781+58.39	219.9										
EBDS	781+58.39		1037+74.25	25,615.9	10.0	28,462.1	0	1.5	2,846.2	56.92		28,462.1		2,390.8
EBDS	1037+74.25		1040+25.25	251.0										
EBDS	1040+25.25		1040+77.75	52.5	10.0	58.3	0	1.75	5.8	0.12	58.33			5.7
EBDS	1040+77.75		1088+37.5	4,759.8	10.0	5,288.6	0	1.75	528.9	10.58				518.3
EBDS	1088+37.5		1088+90.	52.5	10.0	58.3	0	1.75	5.8	0.12		58.3		5.7
EBDS	1088+90.		1092+05.	315.0	10.0	350.0	0	1.75	35.0	0.70		350.0		34.3
EBDS	1092+05.		1092+57.5	52.5	10.0	58.3	0	1.75	5.8	0.12		58.3		5.7
EBDS	1092+57.5		1110+47.5	1,790.0	10.0	1,988.9	0	1.75	198.9	3.98				194.9
EBDS	1110+47.5		1111+00.	52.5	10.0	58.3	0	1.75	5.8	0.12	58.33			5.7
<b>EBDS TOTALS =</b>									<b>4,103.2</b>	<b>82.1</b>	<b>233.3</b>	<b>28,462.1</b>	<b>466.7</b>	<b>3,622.7</b>

#### EASTBOUND PASSING SHOULDER

LOCATION	STA.	TO	STA.	LENGTH (FEET)	WIDTH (FEET)	AREA (SQ YD)	* BINDER THICKNESS (IN)	SURFACE THICKNESS (IN)	BIT. MATLS (PRIME COAT) 40600100 (GALLONS)	AGGREGATE (PRIME COAT) 40600300 (TON)	POLYMERIZED HMA SURFACE COURSE, MIX "C", N90 40603320 (TON)	HMA SURFACE REMOVAL, BUTT JOINT 40600982 (SQ YD)	HMA SURFACE REMOVAL, 1 1/2" 44000155 (SQ YD)	HMA SURFACE REMOVAL, 1 3/4" 44000156 (SQ YD)	HMA SURFACE REMOVAL, 2 1/4" 44000158 (SQ YD)	HOT-MIX ASPHALT SHOULDERS 48203100 (TON)
EBPS	737+00.		737+52.5	52.5	4.0	23.3	0	1.75	2.3	0.05		23.33				2.3
EBPS	737+52.5		772+00.	3,447.5	4.0	1,532.2	0	1.75	153.2	3.06						150.2
EBPS	772+00.		778+85.97	686.0	6.0	457.3	0	1.75	45.7	0.91						44.8
EBPS	778+85.97		779+38.47	52.5	6.0	35.0	0	1.75	3.5	0.07		35.00				3.4
EBPS	779+38.47		781+58.39	219.9												
EBPS	781+58.39		1037+74.25	25,615.9	6.0	17,077.2	0	1.5	1,707.7	34.15			17,077.2			1,434.5
EBPS	1037+74.25		1040+25.25	251.0												
EBPS	1040+25.25		1040+77.75	52.5	6.0	35.0	0	1.75	3.5	0.07		35.00				3.4
EBPS	1040+77.75		1088+37.5	4,759.8	6.0	3,173.2	0	1.75	317.3	6.35						311.0
EBPS	1088+37.5		1088+90.	52.5	6.0	35.0	0	1.75	3.5	0.07			35.0			3.4
EBPS	1088+90.		1092+05.	315.0	6.0	210.0	0	1.75	21.0	0.42			210.0			20.6
EBPS	1092+05.		1092+57.5	52.5	6.0	35.0	0	1.75	3.5	0.07			35.0			3.4
EBPS	1097+57.5		1110+47.5	1,290.0	6.0	860.0	0	1.75	86.0	1.72						84.3
EBPS	1110+47.5		1111+00.	52.5	6.0	35.0	0	1.75	3.5	0.07		35.00				3.4
EBPS 4' INLAY	737+00.		779+38.47	4,238.5	4.0	1,883.8	2.25	0	188.4	3.77	237.35				1,883.8	
EBPS 4' INLAY	1040+25.25		1116+00.	7,574.8	4.0	3,366.6	2.25	0	336.7	6.73	424.19				3,366.6	
<b>EBPS TOTALS =</b>									<b>2,875.9</b>	<b>57.5</b>	<b>661.5</b>	<b>128.3</b>	<b>17,077.2</b>	<b>280.0</b>	<b>5,250.3</b>	<b>2,064.7</b>



## SCHEDULES OF QUANTITIES

### HOT-MIX ASPHALT AND HOT-MIX ASPHALT SURFACE REMOVAL (SHEET 8 OF 8)

#### HOT-MIX ASPHALT SURFACE REMOVAL SUMMARY

LOCATION	HMA SURFACE REMOVAL, BUTT JOINT 40600982 (SQ YD)	HMA SURFACE REMOVAL, VAR. DEPTH X4401198 (SQ YD)	HMA SURFACE REMOVAL, 1 1/2" 44000155 (SQ YD)	HMA SURFACE REMOVAL, 1 3/4" 44000156 (SQ YD)	HMA SURFACE REMOVAL, 2 1/4" 44000158 (SQ YD)	HMA SURFACE REMOVAL, 3 1/4" 44000162 (SQ YD)	HMA SURFACE REMOVAL, 4 1/2" 44000167 (SQ YD)	HMA SURFACE REMOVAL, 5" 44000169 (SQ YD)	HMA SURFACE REMOVAL, 5 1/2" 44000171 (SQ YD)	HMA SURFACE REMOVAL, 5 3/4" 44000172 (SQ YD)	HMA SURFACE REMOVAL, 6 1/2" 44000175 (SQ YD)	HMA SURFACE REMOVAL, 8" 44000182 (SQ YD)
WBDL	0.0	0.0	0.0	0.0	0.0	0.0	1,025.6	4,861.1	42,447.4	0.0	0.0	0.0
WBPL	420.0	40,374.0	5,651.3	1,653.3	0.0	0.0	0.0	0.0	0.0	0.0	0.0	0.0
EBDL	0.0	0.0	0.0	0.0	0.0	0.0	0.0	0.0	0.0	0.0	9,826.0	5,886.8
EBPL	0.0	0.0	14,524.3	0.0	0.0	560.0	0.0	0.0	0.0	0.0	0.0	0.0
RAMPS	0.0	0.0	0.0	0.0	0.0	0.0	0.0	6,509.3	0.0	6,566.9	0.0	0.0
WBDS	466.7	0.0	949.5	1,377.8	0.0	0.0	0.0	0.0	0.0	0.0	0.0	0.0
WBPS	268.3	0.0	569.7	826.7	16,255.1	0.0	0.0	0.0	0.0	0.0	0.0	0.0
EBDS	233.3	0.0	28,462.1	466.7	0.0	0.0	0.0	0.0	0.0	0.0	0.0	0.0
EBPS	128.3	0.0	17,077.2	280.0	5,250.3	0.0	0.0	0.0	0.0	0.0	0.0	0.0
RAMP SHLD	0.0	0.0	0.0	0.0	0.0	0.0	0.0	0.0	0.0	0.0	0.0	0.0
CH 36	0.0	0.0	15,505.3	0.0	0.0	0.0	0.0	0.0	0.0	0.0	0.0	0.0
CH 36 SHLD	0.0	0.0	11,149.9	0.0	0.0	0.0	0.0	0.0	0.0	0.0	0.0	0.0
INCIDENTAL	240.0	0.0	0.0	0.0	0.0	0.0	0.0	0.0	0.0	0.0	0.0	0.0
GRAND TOTAL	1,756.7	40,374.0	93,889.3	4,604.4	21,505.4	560.0	1,025.6	11,370.4	42,447.4	6,566.9	9,826.0	5,886.8
ROUND TO:	1,800	40,400	94,000	4,625	21,550	565	1,035	11,400	42,500	6,575	9,850	5,900

#### HOT-MIX ASPHALT SUMMARY

LOCATION	BIT. MATLS (PRIME COAT) 40600100 (GALLONS)	AGGREGATE (PRIME COAT) 40600300 (TON)	POLYMERIZED HMA BINDER COURSE, IL 19.0, FG, N105 40603244 (TON)	POLYMERIZED HMA SURFACE COURSE, MIX "C", N50 40603310 (TON)	POLYMERIZED HMA SURFACE COURSE, MIX "C", N90 40603320 (TON)	POLYMERIZED HMA SURFACE COURSE, MIX "C", N105 40603525 (TON)	POLYMERIZED HMA SURFACE COURSE, MIX "D", N105 40603550 (TON)	BIT MATERIAL (PRIME COAT) 40800010 (GALLONS)	AGGREGATE (PRIME COAT) 40800030 (TONS)	INCIDENTAL HMA SURFACING 40800050 (TONS)	HOT-MIX ASPHALT SHOULDERS 48203100 (TON)	POLYMERIZED HMA BINDER COURSE, IL 19.0, N105 40603245 (TON)
WBDL	4,833.4	96.7	11,674.1	0.0	0.0	0.0	4,713.7	0.0	0.0	0.0	0.0	2,850.4
WBPL	4,809.9	96.2	0.0	0.0	0.0	474.7	4,713.7	0.0	0.0	0.0	0.0	0.0
EBDL	1,571.3	31.4	6,149.8	0.0	0.0	0.0	1,478.3	0.0	0.0	0.0	0.0	0.0
EBPL	1,508.4	30.2	0.0	0.0	0.0	1,267.1	1,478.3	0.0	0.0	0.0	0.0	0.0
RAMPS	1,307.6	26.2	3,937.1	0.0	0.0	0.0	1,281.5	0.0	0.0	0.0	0.0	0.0
WBDS	4,103.2	82.1	0.0	0.0	0.0	0.0	0.0	0.0	0.0	0.0	4,007.9	0.0
WBPS	4,009.7	80.2	0.0	0.0	2,048.1	0.0	0.0	0.0	0.0	0.0	2,328.5	0.0
EBDS	4,103.2	82.1	0.0	0.0	0.0	0.0	0.0	0.0	0.0	0.0	3,622.7	0.0
EBPS	2,875.9	57.5	0.0	0.0	661.5	0.0	0.0	0.0	0.0	0.0	2,064.7	0.0
RAMP SHLD	937.6	18.8	0.0	0.0	0.0	0.0	0.0	0.0	0.0	0.0	918.9	0.0
CH 36	1,550.5	31.0	0.0	1,302.4	0.0	0.0	0.0	0.0	0.0	0.0	0.0	0.0
CH 36 SHLD	1,115.0	22.3	0.0	0.0	0.0	0.0	0.0	0.0	0.0	0.0	936.6	0.0
INCIDENTAL	0.0	0.0	0.0	0.0	0.0	0.0	0.0	75.0	2.0	75.0	0.0	0.0
GRAND TOTAL	32,725.8	654.5	21,761.0	1,302.4	2,709.7	1,741.8	13,665.3	75.0	2.0	75.0	13,879.3	2,850.4
ROUND TO:	33,000	655	21,800	1,325	2,715	1,750	13,700	75	2	75	13,900	2,860

## SCHEDULES OF QUANTITIES

### CLASS A PATCHES, 7"

STATION I-74	DIRECTION	LANE DRIVING	LENGTH  (ft)	WIDTH  (ft)	PATCH AREA				SAW CUTS  (ft)	TIE BARS 3/4"  (each)	PATCHING REINFORCEMENT 44213000  (sq yd)
					TYPE I 7.0" 44200513 (sq. yd)	TYPE II 7.0" 44200517 (sq. yd)	TYPE III 7.0" 44200521 (sq. yd)	TYPE IV 7.0" 44200523 (sq. yd)			
					1090+00	EB	DL	50			
1109+10	EB	DL	10	12	0.0	13.3	0.0	0.0	68	0	13.3
777+08	WB	DL	10	6	0.0	6.7	0.0	0.0	44	0	6.7
779+30	WB	DL	100	6	0.0	0.0	0.0	66.7	224	50	66.7
783+30	WB	DL	10	12	0.0	13.3	0.0	0.0	68	0	13.3
832+15	WB	DL	25	12	0.0	0.0	0.0	33.3	98	13	33.3
869+69	WB	DL	6	6	4.0	0.0	0.0	0.0	36	0	4
980+25	WB	DL	10	12	0.0	13.3	0.0	0.0	68	0	13.3
1111+00	WB	DL	12	12	0.0	0.0	16.0	0.0	72	0	16
<b>CLASS A PATCH, 7" TOTAL:</b>					4.0	46.6	16.0	166.7	826	88	233.3
<b>ROUND TO:</b>					5	50	20	170	830	90	245

### CLASS A PATCHES, 13"

STATION I-74	DIRECTION	LANE	LENGTH	WIDTH	PATCH AREA				SAW CUTS  (ft)	TIE BARS 3/4"  (each)	PATCHING REINFORCEMENT 44213000  (sq yd)
					TYPE I	TYPE II 13.0" 44200610 (sq. yd)	TYPE III	TYPE IV 13.0" 44200614 (sq. yd)			
					838+80	WB	PL	10			
980+25	WB	PL	10	12	0.0	13.3	0.0	0.0	68	0	13.3
1109+77	WB	PL	6	12	0.0	8.0	0.0	0.0	60	0	8.0
1111+00	WB	PL	10	12	0.0	13.3	0.0	0.0	68	0	13.3
1090+00	EB	PL	50	12	0.0	0.0	0.0	66.7	148	25	66.7
<b>CLASS A PATCH, 13" TOTAL:</b>					0.0	47.9	0.0	66.7	412	25	114.6
<b>ROUND TO:</b>						50		70	420	25	120

<b>CLASS A PATCH GRAND TOTAL:</b>								1250	115	365
-----------------------------------	--	--	--	--	--	--	--	------	-----	-----

## SCHEDULES OF QUANTITIES

### CLASS B PATCHES, 10"

STATION I-74	DIRECTION	LANE	LENGTH (ft)	WIDTH (ft)	PATCH AREA				DOWEL BARS 1 1/2" 44201299 (each)	SAW CUTS 44213200 (ft)	TIE BARS 3/4" 44213204 (each)	PAVEMENT FABRIC 44213100 (sq yd)	CLASS B PATCH EXPANSION JOINT 44201294 (ft)
					TYPE I (sq. yd)	TYPE II 10.0" 44200970 (sq. yd)	TYPE III (sq. yd)	TYPE IV 10.0" 44200976 (sq. yd)					
755+67	EB	DL	25	12	0.0	0.0	0.0	33.3	30	86	13	33.3	12.0
759+93	EB	DL	6	12	0.0	8.0	0.0	0.0	20	48	0	0	0
767+11	EB	DL	10	12	0.0	13.3	0.0	0.0	20	56	0	0	0
768+80	EB	DL	6	12	0.0	8.0	0.0	0.0	20	48	0	0	0
738+00	WB	DL	50	12	0.0	0.0	0.0	66.7	40	136	25	66.7	12.0
739+97	WB	DL	6	12	0.0	8.0	0.0	0.0	20	48	0	0	0
741+98	WB	DL	6	12	0.0	8.0	0.0	0.0	20	48	0	0	0
743+63	WB	DL	6	12	0.0	8.0	0.0	0.0	20	48	0	0	0
745+02	WB	DL	6	12	0.0	8.0	0.0	0.0	20	48	0	0	0
746+34	WB	DL	6	12	0.0	8.0	0.0	0.0	20	48	0	0	0
746+71	WB	DL	6	12	0.0	8.0	0.0	0.0	20	48	0	0	0
747+33	WB	DL	6	12	0.0	8.0	0.0	0.0	20	48	0	0	0
747+86	WB	DL	6	12	0.0	8.0	0.0	0.0	20	48	0	0	0
748+02	WB	DL	6	12	0.0	8.0	0.0	0.0	20	48	0	0	0
748+40	WB	DL	6	12	0.0	8.0	0.0	0.0	20	48	0	0	0
751+06	WB	DL	6	12	0.0	8.0	0.0	0.0	20	48	0	0	0
751+66	WB	DL	6	12	0.0	8.0	0.0	0.0	20	48	0	0	0
752+48	WB	DL	6	12	0.0	8.0	0.0	0.0	20	48	0	0	0
752+76	WB	DL	6	12	0.0	8.0	0.0	0.0	20	48	0	0	0
753+27	WB	DL	6	12	0.0	8.0	0.0	0.0	20	48	0	0	0
755+51	WB	DL	6	12	0.0	8.0	0.0	0.0	20	48	0	0	0
757+10	WB	DL	8	12	0.0	10.7	0.0	0.0	20	52	0	0	0
757+30	WB	DL	6	12	0.0	8.0	0.0	0.0	20	48	0	0	0
762+47	WB	DL	6	12	0.0	8.0	0.0	0.0	20	48	0	0	0
763+38	WB	DL	6	12	0.0	8.0	0.0	0.0	20	48	0	0	0
764+14	WB	DL	6	12	0.0	8.0	0.0	0.0	20	48	0	0	0
764+75	WB	DL	6	12	0.0	8.0	0.0	0.0	20	48	0	0	0
766+66	WB	DL	8	12	0.0	10.7	0.0	0.0	20	52	0	0	0
766+97	WB	DL	8	12	0.0	10.7	0.0	0.0	20	52	0	0	0
767+13	WB	DL	6	12	0.0	8.0	0.0	0.0	20	48	0	0	0
768+13	WB	DL	6	12	0.0	8.0	0.0	0.0	20	48	0	0	0
768+67	WB	DL	6	12	0.0	8.0	0.0	0.0	20	48	0	0	0
769+15	WB	DL	6	12	0.0	8.0	0.0	0.0	20	48	0	0	0
770+14	WB	DL	10	12	0.0	13.3	0.0	0.0	20	56	0	0	0
771+14	WB	DL	10	12	0.0	13.3	0.0	0.0	20	56	0	0	0
772+17	WB	DL	6	12	0.0	8.0	0.0	0.0	20	48	0	0	0
772+53	WB	DL	6	12	0.0	8.0	0.0	0.0	20	48	0	0	0
<b>CLASS B PATCH, 10" TOTALS:</b>						304.0		100.0	770	1938	38	100.0	24.0
<b>ROUND TO:</b>						305		100	775	1950	40	100	25

## SCHEDULES OF QUANTITIES

### CLASS B PATCHES, 15"

STATION I-74	DIRECTION	LANE	LENGTH (ft)	WIDTH (ft)	PATCH AREA				DOWEL BARS 1 1/2" 44201299 (each)	SAW CUTS 44213200 (ft)	TIE BARS 3/4" 44213204 (each)	PAVEMENT FABRIC 44213100 (sq yd)	CLASS B PATCH EXPANSION JOINT 44201294 (ft)
					TYPE I (sq. yd)	TYPE II 15.0" 44201031 (sq. yd)	TYPE III (sq. yd)	TYPE IV (sq. yd)					
741+49	WB	PL	6	12	0.0	8.0	0.0	0.0	20	48	0	0	0
741+98	WB	PL	6	12	0.0	8.0	0.0	0.0	20	48	0	0	0
743+63	WB	PL	6	12	0.0	8.0	0.0	0.0	20	48	0	0	0
745+02	WB	PL	6	12	0.0	8.0	0.0	0.0	20	48	0	0	0
747+86	WB	PL	6	12	0.0	8.0	0.0	0.0	20	48	0	0	0
748+42	WB	PL	6	12	0.0	8.0	0.0	0.0	20	48	0	0	0
751+06	WB	PL	6	12	0.0	8.0	0.0	0.0	20	48	0	0	0
751+66	WB	PL	6	12	0.0	8.0	0.0	0.0	20	48	0	0	0
752+48	WB	PL	6	12	0.0	8.0	0.0	0.0	20	48	0	0	0
753+07	WB	PL	6	12	0.0	8.0	0.0	0.0	20	48	0	0	0
757+10	WB	PL	8	12	0.0	10.7	0.0	0.0	20	52	0	0	0
764+14	WB	PL	6	12	0.0	8.0	0.0	0.0	20	48	0	0	0
766+15	WB	PL	6	12	0.0	8.0	0.0	0.0	20	48	0	0	0
768+13	WB	PL	6	12	0.0	8.0	0.0	0.0	20	48	0	0	0
770+14	WB	PL	10	12	0.0	13.3	0.0	0.0	20	56	0	0	0
771+14	WB	PL	6	12	0.0	8.0	0.0	0.0	20	48	0	0	0
771+47	WB	PL	6	12	0.0	8.0	0.0	0.0	20	48	0	0	0
772+17	WB	PL	6	12	0.0	8.0	0.0	0.0	20	48	0	0	0
<b>CLASS B PATCH, 15" TOTALS:</b>						152.0			360	876			
<b>ROUND TO:</b>						155			360	900			

### CLASS B PATCHES, 18"

STATION I-74	DIRECTION	LANE	LENGTH (ft)	WIDTH (ft)	PATCH AREA				DOWEL BARS 1 1/2" 44201299 (each)	SAW CUTS 44213200 (ft)	TIE BARS 3/4" 44213204 (each)	PAVEMENT FABRIC 44213100 (sq yd)	CLASS B PATCH EXPANSION JOINT 44201294 (ft)	PATCHING REINFORCEMENT 44213000 (sq yd)
					TYPE I (sq yd)	TYPE II 18.0" 44201063 (sq yd)	TYPE III (sq yd)	TYPE IV (sq yd)						
752+42	EB	PL	6	12	0.0	8.0	0.0	0.0	20	48	0	0	0	0
759+93	EB	PL	6	12	0.0	8.0	0.0	0.0	20	48	0	0	0	0
764+35	EB	PL	6	12	0.0	8.0	0.0	0.0	20	48	0	0	0	0
766+35	EB	PL	6	12	0.0	8.0	0.0	0.0	20	48	0	0	0	0
772+13	EB	PL	6	12	0.0	8.0	0.0	0.0	20	48	0	0	0	0
<b>CLASS B PATCH, 18" TOTALS:</b>						40.0			100	240				
<b>ROUND TO:</b>						40			100	250				

CLASS B PATCH GRAND TOTAL:					1235	3100	40	100	25	0
CLASS A PATCH GRAND TOTAL:					0	1250	115	0	0	365
JOB TOTAL:					1235	4350	155	100	25	365

## SCHEDULES OF QUANTITIES

### CLASS D PATCHES, 10"

STATION CH 36	DIRECTION	LANE	LENGTH (ft)	WIDTH (ft)	PATCH AREA			
					TYPE I 10.0" (sq. yd)	TYPE II 10.0" 44201765 (sq. yd)	TYPE III 10.0" 44201769 (sq. yd)	TYPE IV 10.0" 44201771 (sq. yd)
17+48	NB	DL	4	12	0.0	5.3	0.0	0.0
18+50	NB	DL	4	12	0.0	5.3	0.0	0.0
19+50	NB	DL	4	12	0.0	5.3	0.0	0.0
21+50	NB	DL	6	12	0.0	8.0	0.0	0.0
24+50	NB	DL	4	12	0.0	5.3	0.0	0.0
25+50	NB	DL	4	12	0.0	5.3	0.0	0.0
26+85	NB	DL	4	12	0.0	5.3	0.0	0.0
27+89	NB	DL	4	12	0.0	5.3	0.0	0.0
28+89	NB	DL	4	12	0.0	5.3	0.0	0.0
30+94	NB	DL	4	12	0.0	5.3	0.0	0.0
31+95	NB	DL	4	12	0.0	5.3	0.0	0.0
33+13	NB	DL	4	12	0.0	5.3	0.0	0.0
35+76	NB	DL	6	14	0.0	9.3	0.0	0.0
38+63	NB	DL	6	14	0.0	9.3	0.0	0.0
42+09	NB	DL	6	14	0.0	9.3	0.0	0.0
42+29	NB	DL	4	14	0.0	6.2	0.0	0.0
43+10	NB	DL	10	14	0.0	0.0	15.6	0.0
43+64	NB	DL	6	14	0.0	9.3	0.0	0.0
45+03	NB	DL	6	12	0.0	8.0	0.0	0.0
45+52	NB	DL	8	12	0.0	10.7	0.0	0.0
46+53	NB	DL	10	14	0.0	0.0	15.6	0.0
47+53	NB	DL	10	14	0.0	0.0	15.6	0.0
48+01	NB	DL	20	14	0.0	0.0	0.0	31.1
48+34	NB	DL	15	14	0.0	0.0	23.3	0.0
51+74	NB	DL	110	14	0.0	0.0	0.0	171.1
53+24	NB	DL	4	12	0.0	5.3	0.0	0.0
53+24	NB	LTL	4	12	0.0	5.3	0.0	0.0
53+68	NB	DL	10	12	0.0	13.3	0.0	0.0
53+68	NB	LTL	6	12	0.0	8.0	0.0	0.0
54+64	NB	DL	10	12	0.0	13.3	0.0	0.0
54+64	NB	LTL	6	12	0.0	8.0	0.0	0.0
55+64	NB	DL	15	12	0.0	0.0	20.0	0.0
55+64	NB	LTL	6	12	0.0	8.0	0.0	0.0
59+37	NB	DL	12	14	0.0	0.0	18.7	0.0
59+77	NB	DL	6	14	0.0	9.3	0.0	0.0
60+37	NB	DL	6	14	0.0	9.3	0.0	0.0
60+79	NB	DL	6	14	0.0	9.3	0.0	0.0
61+38	NB	DL	6	14	0.0	9.3	0.0	0.0
62+24	NB	DL	6	14	0.0	9.3	0.0	0.0
62+41	NB	DL	10	14	0.0	0.0	15.6	0.0
62+62	NB	DL	8	14	0.0	12.4	0.0	0.0
62+88	NB	DL	8	14	0.0	12.4	0.0	0.0
63+40	NB	DL	8	14	0.0	12.4	0.0	0.0
64+43	NB	DL	6	14	0.0	9.3	0.0	0.0

### CLASS D PATCHES, 10" CONTINUED

STATION CH 36	DIRECTION	LANE	LENGTH (ft)	WIDTH (ft)	PATCH AREA			
					TYPE I 10.0" (sq. yd)	TYPE II 10.0" 44201765 (sq. yd)	TYPE III 10.0" 44201769 (sq. yd)	TYPE IV 10.0" 44201771 (sq. yd)
65+30	NB	DL	6	14	0.0	9.3	0.0	0.0
67+97	NB	DL	6	14	0.0	9.3	0.0	0.0
68+39	NB	DL	6	14	0.0	9.3	0.0	0.0
69+03	NB	DL	6	12	0.0	8.0	0.0	0.0
69+17	NB	DL	4	12	0.0	5.3	0.0	0.0
17+48	SB	DL	4	12	0.0	5.3	0.0	0.0
18+50	SB	DL	4	12	0.0	5.3	0.0	0.0
19+50	SB	DL	4	12	0.0	5.3	0.0	0.0
21+50	SB	DL	6	12	0.0	8.0	0.0	0.0
24+50	SB	DL	4	12	0.0	5.3	0.0	0.0
25+50	SB	DL	4	12	0.0	5.3	0.0	0.0
26+85	SB	DL	4	12	0.0	5.3	0.0	0.0
27+89	SB	DL	4	12	0.0	5.3	0.0	0.0
28+89	SB	DL	4	12	0.0	5.3	0.0	0.0
30+94	SB	DL	4	12	0.0	5.3	0.0	0.0
31+95	SB	DL	4	12	0.0	5.3	0.0	0.0
33+13	SB	DL	4	12	0.0	5.3	0.0	0.0
34+00	SB	DL	4	16	0.0	7.1	0.0	0.0
34+97	SB	DL	4	14	0.0	6.2	0.0	0.0
36+00	SB	DL	6	14	0.0	9.3	0.0	0.0
37+00	SB	DL	6	14	0.0	9.3	0.0	0.0
38+00	SB	DL	6	14	0.0	9.3	0.0	0.0
38+63	SB	DL	6	14	0.0	9.3	0.0	0.0
39+06	SB	DL	6	14	0.0	9.3	0.0	0.0
40+05	SB	DL	6	14	0.0	9.3	0.0	0.0
41+09	SB	DL	6	14	0.0	9.3	0.0	0.0
42+09	SB	DL	6	14	0.0	9.3	0.0	0.0
42+29	SB	DL	4	14	0.0	6.2	0.0	0.0
43+10	SB	DL	4	14	0.0	6.2	0.0	0.0
43+64	SB	DL	4	14	0.0	6.2	0.0	0.0
44+55	SB	DL	4	12	0.0	5.3	0.0	0.0
44+55	SB	LTL	4	12	0.0	5.3	0.0	0.0
45+52	SB	DL	8	12	0.0	10.7	0.0	0.0
45+52	SB	LTL	8	12	0.0	10.7	0.0	0.0
46+53	SB	DL	4	12	0.0	5.3	0.0	0.0
46+53	SB	LTL	4	12	0.0	5.3	0.0	0.0
47+53	SB	DL	4	12	0.0	5.3	0.0	0.0
47+53	SB	LTL	4	12	0.0	5.3	0.0	0.0
48+63	SB	DL	4	14	0.0	6.2	0.0	0.0
51+74	SB	DL	4	14	0.0	6.2	0.0	0.0
52+78	SB	DL	4	14	0.0	6.2	0.0	0.0
53+68	SB	DL	4	14	0.0	6.2	0.0	0.0
54+64	SB	DL	6	14	0.0	9.3	0.0	0.0
55+64	SB	DL	6	14	0.0	9.3	0.0	0.0

FILE NAME =	USER NAME = hogenbj	DESIGNED -	REVISED -	<b>STATE OF ILLINOIS DEPARTMENT OF TRANSPORTATION</b>	<b>SCHEDULES OF QUANTITIES</b>	F.A.I. RTE.	SECTION	COUNTY	TOTAL SHEETS	SHEET NO.	
ca:\pvc\work\pvc\dot\hogenbj\d0158340\0578	658-sh-t-schedule.dgn	DRAWN -	REVISED -			74	(57-201),21,22RS-3	MCLEAN	150	45	
	PLOT SCALE = 100.0000' / IN.	CHECKED -	REVISED -			CONTRACT NO. 70550					
	PLOT DATE = 10/28/2018	DATE -	REVISED -			ILLINOIS FED. AID PROJECT					

## SCHEDULES OF QUANTITIES

### CLASS D PATCHES, 10" CONTINUED

STATION CH 36	DIRECTION	LANE	LENGTH (ft)	WIDTH (ft)	PATCH AREA			
					TYPE I 10.0"	TYPE II 10.0"	TYPE III 10.0"	TYPE IV 10.0"
					(sq. yd)	44201765 (sq. yd)	44201769 (sq. yd)	44201771 (sq. yd)
56+63	SB	DL	4	14	0.0	6.2	0.0	0.0
59+37	SB	DL	6	14	0.0	9.3	0.0	0.0
60+37	SB	DL	4	14	0.0	6.2	0.0	0.0
60+79	SB	DL	4	14	0.0	6.2	0.0	0.0
61+38	SB	DL	4	14	0.0	6.2	0.0	0.0
62+41	SB	DL	6	14	0.0	9.3	0.0	0.0
63+40	SB	DL	6	14	0.0	9.3	0.0	0.0
64+43	SB	DL	6	14	0.0	9.3	0.0	0.0
65+30	SB	DL	6	14	0.0	9.3	0.0	0.0
66+34	SB	DL	6	14	0.0	9.3	0.0	0.0
67+36	SB	DL	6	14	0.0	9.3	0.0	0.0
68+00	SB	DL	6	14	0.0	9.3	0.0	0.0
68+75	SB	DL	6	14	0.0	9.3	0.0	0.0
69+25	SB	DL	4	12	0.0	5.3	0.0	0.0
<b>CLASS D PATCH, 10" TOTALS:</b>						706.8	124.4	202.2
<b>ROUND TO:</b>						710	125	205

### AGGREGATE WEDGE SHOULDER, TYPE B

LOCATION	STA.	TO	STA.	# OF SIDES	AVE DEPTH (IN)	LENGTH (FT)	WIDTH (FT)	AGGREGATE WEDGE SHOULDER, TYPE B 48102100 (TON)
WB & EB SHLDS	737+00		779+38	4	1.9	4,238.5	3.0	536.9
WB & EB SHLDS	781+58		1037+74	4	1.9	25,615.9	3.0	3,244.7
WB & EB SHLDS	1040+25		1111+00	4	1.9	7,074.8	3.0	896.1
RAMP AC - WB ON	10+24		31+64	2	1.9	2,140.1	3.0	135.5
RAMP DA - WB OFF	10+00		27+60	2	1.9	1,760.5	3.0	111.5
RAMP CB - EB OFF	10+00		28+64	2	1.9	1,864.0	3.0	118.1
RAMP BD - EB ON	10+24		32+79	2	1.9	2,255.3	3.0	142.8
CROSS OVERS	VAR		VAR	6	1.9	73.1	3.0	13.9
C.H. 36	16+92		48+85	2	1	3,192.5	3.0	106.4
C.H. 36	51+15		68+96	2	1	1,781.0	3.0	59.4
C.H. 36	69+06		69+50	2	1	44.0	3.0	1.5
<b>TOTAL =</b>								5,366.7
<b>ROUND TO:</b>								5,400

TONNAGE = (((AVE D" / 12 IN/FT) X LENGTH' X WIDTH') / (27 CF/CY)) X (# SIDES) X (1.8 TONS/CY)

### PARTIAL DEPTH PATCHES

STATION	DIRECTION	LANE	LENGTH (ft)	WIDTH (ft)	EXISTING HMA OVERLAY THICKNESS (inch)	PD PATCHING (SPECIAL) X0556100 (sq yd)	ESTIMATED HMA QUANTITY * (ton)
16+40	EB		4	16	0.0	7.1	1.2
16+62	EB		4	16	0.0	7.1	1.2
18+57	EB		4	16	0.0	7.1	1.2
20+50	EB		4	16	0.0	7.1	1.2
25+57	EB		4	16	0.0	7.1	1.2
26+63	EB		4	16	0.0	7.1	1.2
27+68	EB		6	16	0.0	10.7	1.8
<b>EB ON-RAMP "CB"</b>							
10+60	EB		4	16	0.0	7.1	1.2
12+50	EB		4	16	0.0	7.1	1.2
14+56	EB		4	16	0.0	7.1	1.2
16+10	EB		4	16	0.0	7.1	1.2
16+25	EB		4	16	0.0	7.1	1.2
16+77	EB		4	16	0.0	7.1	1.2
18+58	EB		4	16	0.0	7.1	1.2
<b>WB OFF-RAMP "DA"</b>							
16+07	WB		4	16	0.0	7.1	1.2
26+55	WB		4	16	0.0	7.1	1.2
26+90	WB		40	4	0.0	17.8	3.0
27+25	WB		30	6	0.0	20.0	3.4
<b>WB ON-RAMP "AC"</b>							
11+10	WB		6	18	0.0	12.0	2.0
<b>CH 36</b>							
20+50	NB	D	4	12	2.5	5.3	1.6
23+50	NB	D	4	12	2.5	5.3	1.6
20+50	SB	D	4	12	2.5	5.3	1.6
23+50	SB	D	4	12	2.5	5.3	1.6
<b>PARTIAL DEPTH PATCH TOTALS:</b>						188.2	34.6
<b>ROUND TO:</b>						190	

\*THIS QUANTITY IS FOR INFORMATION ONLY. THE COST OF THE HOT-MIX ASPHALT SHALL BE INCLUDED WITH THE PARTIAL DEPTH PATCHING (SPECIAL) PAY ITEM WITH NO ADDITIONAL COMPENSATION ALLOWED.

FILE NAME =	USER NAME = hogenbj	DESIGNED -	REVISED -	<b>STATE OF ILLINOIS DEPARTMENT OF TRANSPORTATION</b>	<b>SCHEDULES OF QUANTITIES</b>	F.A.I. RTE. 74	SECTION (57-201), 21, 22, RS-3	COUNTY MCLEAN	TOTAL SHEETS 150	SHEET NO. 46
et:\pwork\pwork\hogenbj\0158340\057050-sh-t-schedule.dgn		DRAWN -	REVISED -							
PLOT SCALE = 1/8" = 1' / IN.		CHECKED -	REVISED -							
PLOT DATE = 10/28/2010		DATE -	REVISED -							
					SCALE: _____	SHEET NO. ___ OF ___ SHEETS		STA. _____ TO STA. _____		
ILLINOIS FED. AID PROJECT										

# SCHEDULES OF QUANTITIES

## GUARDRAIL

STATION	TO	STATION	LANE	STEEL PLATE BEAM GUARDRAIL 63000001 (FOOT)	TRAFFIC BARRIER TERMINAL, TYPE 1, (SPECIAL) TANGENT 63100167 (EACH)	TRAFFIC BARRIER TERMINAL, TYPE 2 63100045 (EACH)	TRAFFIC BARRIER TERMINAL, TYPE 6B 63100089 (EACH)	VERTICAL ADJUSTMENT OF GUARDRAIL 63300900 (FOOT)	TRAFFIC BARRIER TERMINAL REMOVAL TYPE 6 63304805 (EACH)	GUARDRAIL MARKERS, TYPE A 78200410 (EACH)	TERMINAL MARKERS - DIRECT APPLIED 78201000 (EACH)
754+60.44		754+72.94	WBDS			1.0					
754+72.94		757+10.44	WBDS	237.5						5.0	
757+10.44		757+60.44	WBDS		1.0						1.0
754+80.44		754+92.94	WBPS			1.0					
754+92.94		758+05.44	WBPS	312.5						6.0	
758+05.44		758+55.44	WBPS		1.0						1.0
750+24.32		750+74.32	EBPS		1.0						1.0
750+74.32		753+99.32	EBPS	325.0						6.0	
753+99.32		754+11.82	EBPS			1.0					
1089+74.65		1090+32.8	EBDS				1.0			1.0	
1089+74.65		1090+20.3	EBDS						1.0		
1090+59.8		1091+17.9	WBDS				1.0			1.0	
1090+72.3		1091+17.9	WBDS						1.0		
829+46.11		832+55.76	EBDS					309.65			
833+78.78		837+01.4	WBDS					322.62			
905+39.72		908+56.36	EBDS					316.64			
907+49.29		910+56.15	WBDS					306.86			
942+34.24		945+37.5	EBDS					303.26			
944+88.82		947+92.9	WBDS					304.08			
1005+54.46		1008+60.9	EBDS					306.44			
1007+58.14		1010+65.8	WBDS					307.73			
1087+06.49		1089+74.6	EBDS					268.16			
1091+17.95		1093+74.8	WBDS					256.91			
TOTALS =				875.0	3.0	3.0	2.0	3002.35	2.0	19.0	3.0
ROUND TO:				875	3	3	2	3025	2	20	3

## SCHEDULES OF QUANTITIES

### POLYUREA PAVEMENT MARKING

STA.	TO	STA.	DIRECTION	LENGTH (FT)	NUMBER OF STRIPES	EDGE LINE LENGTH (FT)	SKIP DASH LENGTH (FT)	SKIP DASH NEAREST 10' (FT)	POLYUREA PAVEMENT MARKING, TYPE 2, LINE 4" 78008310 (FT)
779+38.47		781+58.39	WB	219.9	2	439.8	55.0	60	499.8
779+38.47		781+58.39	EB	219.9	2	439.8	55.0	60	499.8
1037+74.25		1040+25.75	WB	251.5	2	503.0	62.9	70	573.0
1037+74.25		1040+25.25	EB	251.0	2	502.0	62.8	70	572.0
829+11.75		837+66.33	WB	854.6	2	1,709.2	213.6	220	1,929.2
TOTAL =									4,073.8
ROUND TO:									4,100

YELLOW =  $[4100' - (60' + 60' + 70' + 70' + 220')] / 2 = 1810'$   
 WHITE =  $4100' - 1810' = 2290'$

### PREFORMED PLASTIC PAVEMENT MARKING

STA.	TO	TO STA.	DIRECTION	LENGTH (FT)	SKIP DASH LENGTH (FT)	PREFORMED PLASTIC PAVEMENT MARKING, TYPE B, LINE 4" 78003110 (FT)
737+00		779+38.47	WB	4,238.5	1,059.6	1,060
737+00		779+38.47	EB	4,238.5	1,059.6	1,060
781+58.39		829+11.75	WB	4,753.4	1,188.3	1,190
837+66.33		1037+74.25	WB	20,007.9	5,002.0	5,010
1040+25.25		1111+00	EB	7,074.8	1,768.7	1,770
1040+25.75		1111+00	WB	7,074.3	1,768.6	1,770
TOTAL =						11,860
ROUND TO:						12,000

### THERMOPLASTIC PAVEMENT MARKING, LETTERS & SYMBOLS

STA.	LOCATION	TYPE	AREA EACH (SQ FT)	NUMBER	THERMOPLASTIC PAVEMENT MARKING, LETTERS & SYMBOLS 78000100 (SQ FT)
44+70.9	SB CH 36	LEFT TURN	15.6	1	15.6
45+33.23	SB CH 36	LEFT TURN	15.6	1	15.6
45+95.56	SB CH 36	LEFT TURN	15.6	1	15.6
46+57.89	SB CH 36	LEFT TURN	15.6	1	15.6
53+35.27	SB CH 36	LEFT TURN	15.6	1	15.6
53+97.60	NB CH 36	LEFT TURN	15.6	1	15.6
54+59.93	NB CH 36	LEFT TURN	15.6	1	15.6
55+22.26	NB CH 36	LEFT TURN	15.6	1	15.6
TOTAL =					124.8
ROUND TO:					125

FILE NAME =	USER NAME = hogenbj	DESIGNED -	REVISED -
ca:\pwork\pwork\hogenbj\0158340\057258-sht-schedule.dgn		DRAWN -	REVISED -
PLOT SCALE = 100.0000' / IN.		CHECKED -	REVISED -
PLOT DATE = 10/28/2010		DATE -	REVISED -

**STATE OF ILLINOIS  
DEPARTMENT OF TRANSPORTATION**

**SCHEDULES OF QUANTITIES**

SCALE: \_\_\_\_\_ SHEET NO. \_\_\_ OF \_\_\_ SHEETS STA. \_\_\_\_\_ TO STA. \_\_\_\_\_

F.A.I. RTE.	SECTION	COUNTY	TOTAL SHEETS	SHEET NO.
74	(57-201), 21, 22 RS-3	MCLEAN	150	48
CONTRACT NO. 70550			ILLINOIS FED. AID PROJECT	



## SCHEDULES OF QUANTITIES

### THERMOPLASTIC PAVEMENT MARKING, LINE 4"

STA.	TO	STA.	LOCATION	COLOR	LENGTH (FT)	NUMBER OF STRIPES	THERMOPLASTIC PAVEMENT MARKING, LINE 4" 78000200 (FT)
737+00		779+38.47	WB (Edge)	WHITE	4,238.5	1	4,238.5
737+00		779+38.47	EB (Edge)	WHITE	4,238.5	1	4,238.5
781+58.39		829+11.75	WB (Edge)	WHITE	4,753.4	1	4,753.4
837+66.33		1037+74.25	WB (Edge)	WHITE	20,007.9	1	20,007.9
1040+25.75		1071+39.65	WB (Edge)	WHITE	3,113.9	1	3,113.9
1040+25.25		1072+86.39	EB (Edge)	WHITE	3,261.1	1	3,261.1
1082+00		1100+42	WB (Edge)	WHITE	1,842.0	1	1,842.0
1079+65		1099+80	EB (Edge)	WHITE	2,015.0	1	2,015.0
1106+96.89		1111+00	WB (Edge)	WHITE	403.1	1	403.1
1110+56		1111+00	EB (Edge)	WHITE	44.0	1	44.0
737+00		779+38.47	WB (Edge)	YELLOW	4,238.5	1	4,238.5
737+00		779+38.47	EB (Edge)	YELLOW	4,238.5	1	4,238.5
781+58.39		829+11.75	WB (Edge)	YELLOW	4,753.4	1	4,753.4
837+66.33		1037+74.25	WB (Edge)	YELLOW	20,007.9	1	20,007.9
1040+25.75		1071+39.65	WB (Edge)	YELLOW	3,113.9	1	3,113.9
1040+25.25		1072+86.39	EB (Edge)	YELLOW	3,261.1	1	3,261.1
1082+00		1100+42	WB (Edge)	YELLOW	1,842.0	1	1,842.0
1079+65		1099+80	EB (Edge)	YELLOW	2,015.0	1	2,015.0
1106+96.89		1111+00	WB (Edge)	YELLOW	403.1	1	403.1
1110+56		1111+00	EB (Edge)	YELLOW	44.0	1	44.0
1071+39.65		1082+00	WB (Edge)	YELLOW	1,060.4	1	1,060.4
1100+42		1106+96.89	WB (Edge)	YELLOW	654.9	1	654.9
1072+86.39		1079+65	EB (Edge)	YELLOW	678.6	1	678.6
1099+80		1110+56	EB (Edge)	YELLOW	1,076.0	1	1,076.0
10+24		31+64.13	RAMP AC	WHITE	2,140.1	1	2,140.1
10+24		21+00	RAMP AC	YELLOW	1,076.0	1	1,076.0
10+00		27+60.49	RAMP DA	WHITE	1,760.5	1	1,760.5
16+54		27+60.49	RAMP DA	YELLOW	1,106.5	1	1,106.5
10+24		32+79.31	RAMP BD	WHITE	2,255.3	1	2,255.3
10+24		22+05	RAMP BD	YELLOW	1,181.0	1	1,181.0
10+00		28+63.98	RAMP CB	WHITE	1,864.0	1	1,864.0
16+77		28+63.98	RAMP CB	YELLOW	1,187.0	1	1,187.0
16+92.44		25+25	CH 36	WHITE	832.6	2	1,665.1
26+20		40+18	CH 36	WHITE	1,398.0	2	2,796.0
40+18		40+98	CH 36	WHITE	80.0	1	80.0
40+98		42+35	CH 36	WHITE	137.0	2	274.0
42+35		42+66	CH 36	WHITE	31.0	1	31.0
44+05		44+15	CH 36	WHITE	10.0	1	10.0
44+15		44+52.9	CH 36	WHITE	37.9	2	75.8
44+52.9		46+57.89	CH 36	WHITE	205.0	3	615.0
46+57.89		53+35.27	CH 36	WHITE	677.4	2	1,354.8
<b>SUB TOTAL =</b>							<b>110,776.6</b>

### THERMOPLASTIC PAVEMENT MARKING, LINE 4" CONTINUED

STA.	TO	STA.	LOCATION	COLOR	LENGTH (FT)	NUMBER OF STRIPES	THERMOPLASTIC PAVEMENT MARKING, LINE 4" 78000200 (FT)
53+35.27		55+40.26	CH 36	WHITE	205.0	3	615.0
55+40.26		55+75	CH 36	WHITE	34.7	2	69.5
55+75		55+86	CH 36	WHITE	11.0	1	11.0
57+53		66+48	CH 36	WHITE	895.0	2	1,790.0
66+48		67+69	CH 36	WHITE	121.0	1	121.0
67+69		68+86	CH 36	WHITE	117.0	2	234.0
68+96		69+50	CH 36	WHITE	54.0	2	108.0
16+92.44		40+24	CH 36	YELLOW	2,331.6	2	4,663.1
40+77		43+76	CH 36	YELLOW	299.0	2	598.0
44+52.9		55+40.26	CH 36	YELLOW	1,087.4	2	2,174.7
56+15		68+86	CH 36	YELLOW	1,271.0	2	2,542.0
68+96		69+50	CH 36	YELLOW	54.0	2	108.0
<b>SUB TOTAL =</b>							<b>13,034.3</b>
<b>GRAND TOTAL =</b>							<b>123,810.9</b>
<b>ROUND TO:</b>							<b>125,000</b>

### THERMOPLASTIC PAVEMENT MARKING, LINE 6"

LOCATION	TYPE	THERMOPLASTIC PAVEMENT MARKING, LINE 6" 78000400 (SQ FT)
EB OFF RAMP	CB ISLAND	213
WB OFF RAMP	DA ISLAND	148
<b>TOTAL =</b>		<b>361</b>
<b>ROUND TO:</b>		<b>375</b>

## SCHEDULES OF QUANTITIES

### THERMOPLASTIC PAVEMENT MARKING, LINE 8"

STA.	TO	STA.	LOCATION	COLOR	LENGTH (FT)	NUMBER OF STRIPES	THERMOPLASTIC PAVEMENT MARKING, LINE 8" 78000500 (FT)
1079+25		1082+00	RAMP AC	WHITE	275	2	550
1075+74		1079+65	RAMP CB	WHITE	391	2	782
1100+42		1103+42	RAMP DA	WHITE	300	2	600
1099+80		1102+60	RAMP BD	WHITE	280	2	560
TOTAL =							2492
ROUND TO:							2500

### THERMOPLASTIC PAVEMENT MARKING, LINE 12"

LOCATION	TYPE	THERMOPLASTIC PAVEMENT MARKING, LINE 12" 78000600 (SQ FT)
EB OFF RAMP	CB ISLAND	148
WB OFF RAMP	DA ISLAND	89
TOTAL =		237
ROUND TO:		250

### CHANGEABLE MESSAGE SIGN

CHANGEABLE MESSAGE SIGN X7015005	14 DAYS BEFORE CONSTRUCTION OPERATIONS BEGIN (STAGE 1) (CAL DAY)	7 DAYS BEFORE RAMP CLOSURES (CAL DAY)	DURING RAMP CLOSURES (CAL DAY)
LOCATION			
I-74 EAST OF THE JOB (WB LANES)	14		
I-74 WEST OF THE JOB (EB LANES)	14		
I-74 EAST OF LEROY (WB LANES)		7	5
I-74 BETWEEN LEROY & DOWNS (WB)		7	
I-74 WEST OF US 51 (EB LANES)		7	5
I-74 BETWEEN US 51 AND DOWNS (EB)		7	
US 150 EAST OF TOWANDA-BARNES ROAD / US 150 INTERSECTION (EB)		7	5
US 150 EAST OF DOWNS (WB)		7	5
US 51 SOUTH OF VETERAN'S PKWY (SB)			5
US 51 SOUTH OF I-74 (NB)			5
TOTALS =	28	42	30

GRAND TOTAL = 100 CAL DAYS

### THERMOPLASTIC PAVEMENT MARKING, LINE 24"

LOCATION	TYPE	THERMOPLASTIC PAVEMENT MARKING, LINE 24" 78000650 (SQ FT)
EB OFF RAMP	CB RT. TURN	18
EB OFF RAMP	CB LT. TURN	16
WB OFF RAMP	DA RT. TURN	18
WB OFF RAMP	DA LT. TURN	20
TOTAL =		72
ROUND TO:		75

**NOTE:**

THE EXISTING STRUCTURE AT STATION 789+00 LT. CONSISTS OF A 24" R.C.C.P. WITH A MEDIAN INLET AND A PRECAST DOWNSTREAM END SECTION. THE STRUCTURE IS IN GOOD CONDITION BUT HAS THE FOLLOWING DEFICIENCIES. WHILE THE JOINT BETWEEN THE DOWNSTREAM END SECTION AND THE FIRST SECTION OF PIPE IS INTACT, THE NEXT JOINT UPSTREAM HAS SEPARATED ALLOWING SOIL TO ENTER THE STRUCTURE AND IS CAUSING A SINKHOLE IN THE FORESLOPE. ALSO, THE DOWNSTREAM END SECTION IS BROKEN.

THE PROPOSED SCOPE OF WORK IS TO REPLACE THE DOWNSTREAM END SECTION WITH A NEW PRECAST END SECTION. THE EXISTING SAFETY GRATE SHALL BE REUSED. A CONCRETE COLLAR SHALL BE USED TO CONNECT THE PROPOSED END SECTION TO THE STRUCTURE. ALSO, A CONCRETE COLLAR SHALL BE USED TO SEAL THE SEPARATED JOINT. THE COST OF EXCAVATION NECESSARY TO PERFORM THE REQUIRED WORK IS INCLUDED IN THE VARIOUS PAY ITEMS AND NO ADDITIONAL COMPENSATION WILL BE ALLOWED.

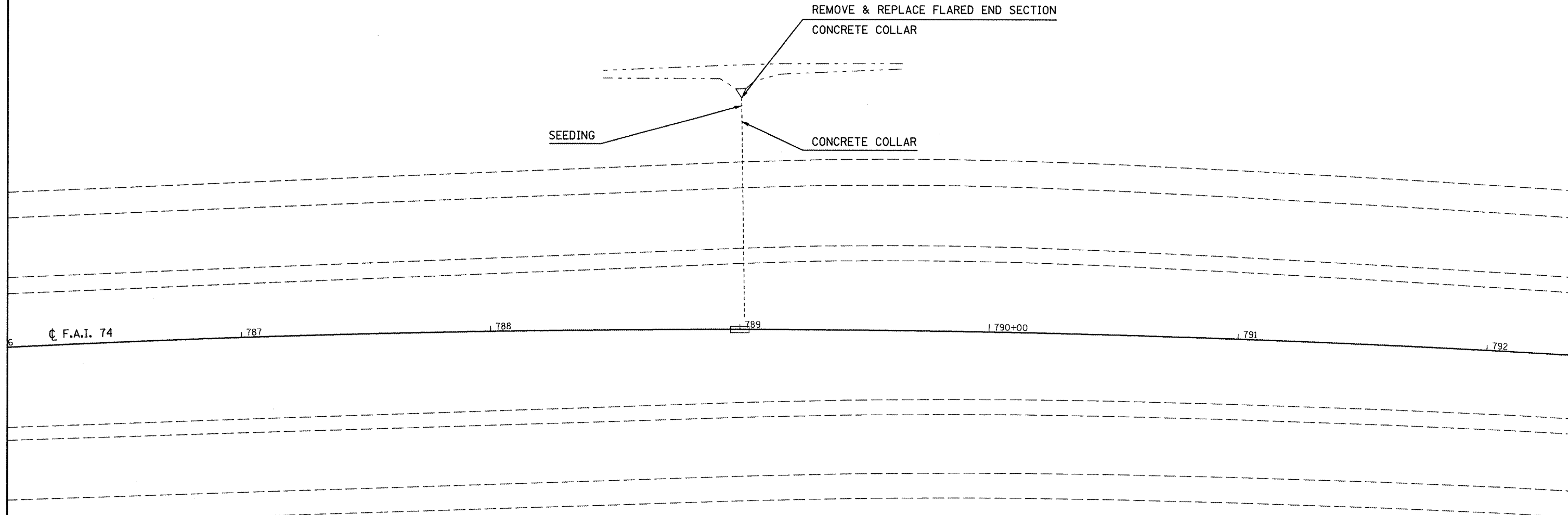
# DRAINAGE STRUCTURE IMPROVEMENT DETAIL

## LOCATION #1 STA. 789 + 00



LOC. #1 STA. 789+00 LT.

ITEM# AND DESCRIPTION	UNIT	QUANTITY
25000210 Seeding, Class 2A	ACRE	0.009
25000400 Nitrogen Fert. Nutr.	POUND	0.81
25000500 Phosphorous Fert. Nutr.	POUND	0.81
25000600 Potassium Fert. Nutr.	POUND	0.81
25100115 Mulch Method 2	ACRE	0.009
28000250 Temp. Eros. Contr. Seeding	POUND	0.9
54213669 Precast Flared End Section 24"	EACH	1.0
54248510 Concrete Collar	CUYD	0.90
X0322118 Remove Concrete Flared End Section	EACH	1.0



FILE NAME =	USER NAME = hogenbj	DESIGNED - BJM	REVISED -
c:\pw\work\pwsdot\hogenbj\015834\0570	58-sht-am_struct_det.dgn	DRAWN -	REVISED -
PLOT SCALE = 40.0000' / IN.	CHECKED -	REVISIONS -	REVISIONS -
PLOT DATE = 10/21/2010	DATE - 09/23/10	REVISIONS -	REVISIONS -

**STATE OF ILLINOIS  
DEPARTMENT OF TRANSPORTATION**

**DRAINAGE STRUCTURE IMPROVEMENT DETAIL  
LOCATION #1 STA. 789 + 00**

SCALE: 1" = 20'    SHEET NO.    OF    SHEETS    STA.    TO STA.

F.A.I. RTE.	SECTION	COUNTY	TOTAL SHEETS	SHEET NO.
74	(57-2011), 21, 22, RS-3	McLean	150	51
CONTRACT NO. 70550			ILLINOIS FED. AID PROJECT	

# DRAINAGE STRUCTURE IMPROVEMENT DETAIL

## LOCATION #2 STA. 804 + 55



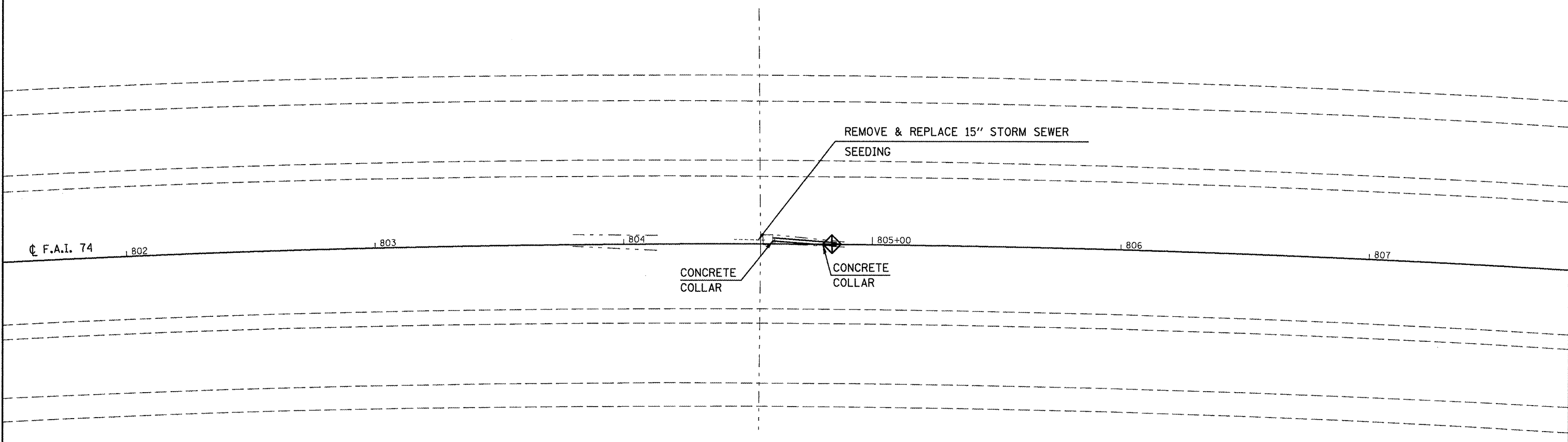
**NOTE:**

THE EXISTING STRUCTURE AT STATION 804+55 CONSISTS OF A 24" R.C.C.P. WITH AN OFFSET MEDIAN INLET. THE A/R PIPE, END SECTIONS AND INLET BOX ARE IN GOOD CONDITION BUT THE 15" C.M.P. BETWEEN THE INLET BOX AND THE PIPE IS RUSTED OUT AND CAUSING A SINKHOLE IN THE MEDIAN.

THE PROPOSED SCOPE OF WORK IS TO REPLACE THE 15" C.M.P. WITH A 15" STORM SEWER PIPE CLASS "B". THE 24" R.C.C.P., INLET BOX AND ALL GRATES SHALL BE SALVAGED. THE COST OF THE EXCAVATION NECESSARY TO PERFORM THE REQUIRED WORK IS INCLUDED IN THE VARIOUS PAY ITEMS AND NO ADDITIONAL COMPENSATION WILL BE ALLOWED.

LOC. #2 STA.804+55

ITEM # AND DESCRIPTION	UNIT	QUANTITY
25000210 Seeding, Class 2A	ACRE	0.005
25000400 Nitrogen Fert. Nutr.	POUND	0.45
25000500 Phosphorous Fert. Nutr.	POUND	0.45
25000600 Potassium Fert. Nutr.	POUND	0.45
25100115 Mulch Method 2	ACRE	0.005
28000250 Temp. Eros. Contr. Seeding	POUND	0.5
28000500 Inlet and Pipe Protection	EACH	1
54002010 Expansion Bolts 1/2	EACH	4
54248510 Concrete Collar	CU YD	0.60
550B0070 Storm Sewer Class B Ty 115"	FOOT	15
55100700 Storm Sewer Remove 15"	FOOT	15



FILE NAME =	USER NAME = hogenbj	DESIGNED - BJM	REVISED -
ca:\p\work\pws\dot\hogenbj\40158340\057050-shr-am struat det.dgn		DRAWN -	REVISED -
PLOT SCALE = 40.0000' / IN.		CHECKED -	REVISED -
PLOT DATE = 10/21/2010		DATE - 09/23/10	REVISED -

**STATE OF ILLINOIS  
DEPARTMENT OF TRANSPORTATION**

**DRAINAGE STRUCTURE IMPROVEMENT DETAIL  
LOCATION #2 STA. 804 + 55**

SCALE: 1" = 20'    SHEET NO.    OF    SHEETS    STA.    TO STA.

F.A.I. RTE.	SECTION	COUNTY	TOTAL SHEETS	SHEET NO.
74	(57-20(1),21,22)RS-3	McLean	150	52
CONTRACT NO. 70550			ILLINOIS FED. AID PROJECT	

# DRAINAGE STRUCTURE IMPROVEMENT DETAIL

## LOCATION #3 STA. 825 + 00

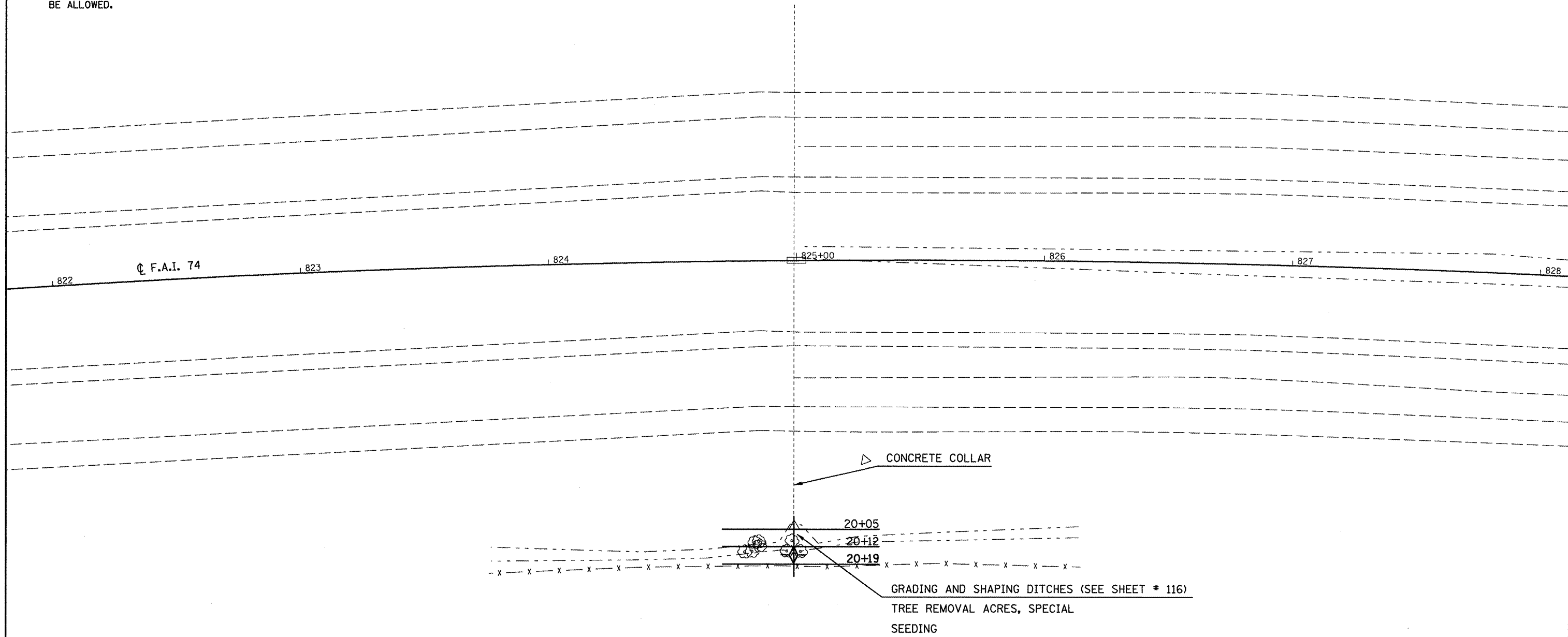


LOC. #3 STA. 825+00		
ITEM# AND DESCRIPTION	UNIT	QUANTITY
21400100 Grading and Shaping Ditches	FOOT	14
25000210 Seeding, Class 2A	ACRE	0.014
25000400 Nitrogen Fert. Nutr.	POUND	1.26
25000500 Phosphorous Fert. Nutr.	POUND	1.26
25000600 Potassium Fert. Nutr.	POUND	1.26
25100115 Mulch Method 2	ACRE	0.014
28000250 Temp. Eros. Contr. Seeding	POUND	1.4
28000305 Ditch Check Temporary	FOOT	10
54248510 Concrete Collar	CU YD	0.45
X2010350 Tree Removal Acres, Special	ACRE	0.007
Z0014800 Culvert To Be Cleaned	FOOT	6

**NOTE:**

THE EXISTING STRUCTURE AT STATION 825+00 CONSISTS OF A 24" R.C.C.P. WITH A MEDIAN INLET. THE STRUCTURE IS IN FAIR CONDITION WITH THE FOLLOWING DEFICIENCIES. WHILE THE JOINT BETWEEN THE DOWNSTREAM END SECTION AND THE FIRST SECTION OF PIPE IS INTACT, THE NEXT JOINT UPSTREAM IS SEPARATED AND IS CAUSING A SINKHOLE IN THE FORESLOPE. ALSO, THE DOWNSTREAM END SECTION IS SILTED-IN APPROXIMATELY 18". THE DOWNSTREAM OUTFALL IS RESTRICTED BY SILTATION, TREES AND BRUSH.

THE PROPOSED SCOPE OF WORK IS TO EXCAVATE TO AND SEAL THE SEPARATED JOINT WITH A CONCRETE COLLAR. THE SILTATION SHALL BE CLEANED OUT OF THE DOWNSTREAM END OF THE STRUCTURE. THE DOWNSTREAM CHANNEL SHALL BE CLEANED AND GRADED AWAY FROM THE STRUCTURE TO PROVIDE POSITIVE DRAINAGE. THE TREES AND BRUSH SHOULD BE REMOVED AND PROPERLY DISPOSED OF. THE COST OF EXCAVATION REQUIRED TO PLACE THE CONCRETE COLLAR IS INCLUDED IN THE VARIOUS PAY ITEMS AND NO ADDITIONAL COMPENSATION WILL BE ALLOWED.



FILE NAME =	USER NAME = hogenbj	DESIGNED - BJM	REVISED -
ca:\p\work\p\dot\hogenbj\d0158340\0572	50-sh-t-am struct det.dgn	DRAWN -	REVISED -
	PLOT SCALE = 40.0000' / IN.	CHECKED -	REVISED -
	PLOT DATE = 10/21/2010	DATE - 09/23/10	REVISED -

**STATE OF ILLINOIS**  
**DEPARTMENT OF TRANSPORTATION**

**DRAINAGE STRUCTURE IMPROVEMENT DETAIL**  
**LOCATION #3 STA. 825 + 00**

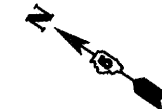
SCALE: 1" = 20'    SHEET NO.    OF    SHEETS    STA.    TO STA.

F.A.I. RTE.	SECTION	COUNTY	TOTAL SHEETS	SHEET NO.
74	(57-20(1),21,22)RS-3	McLean	150	53
CONTRACT NO. 70550			ILLINOIS FED. AID PROJECT	

LOC. #4 STA. 834+17.5

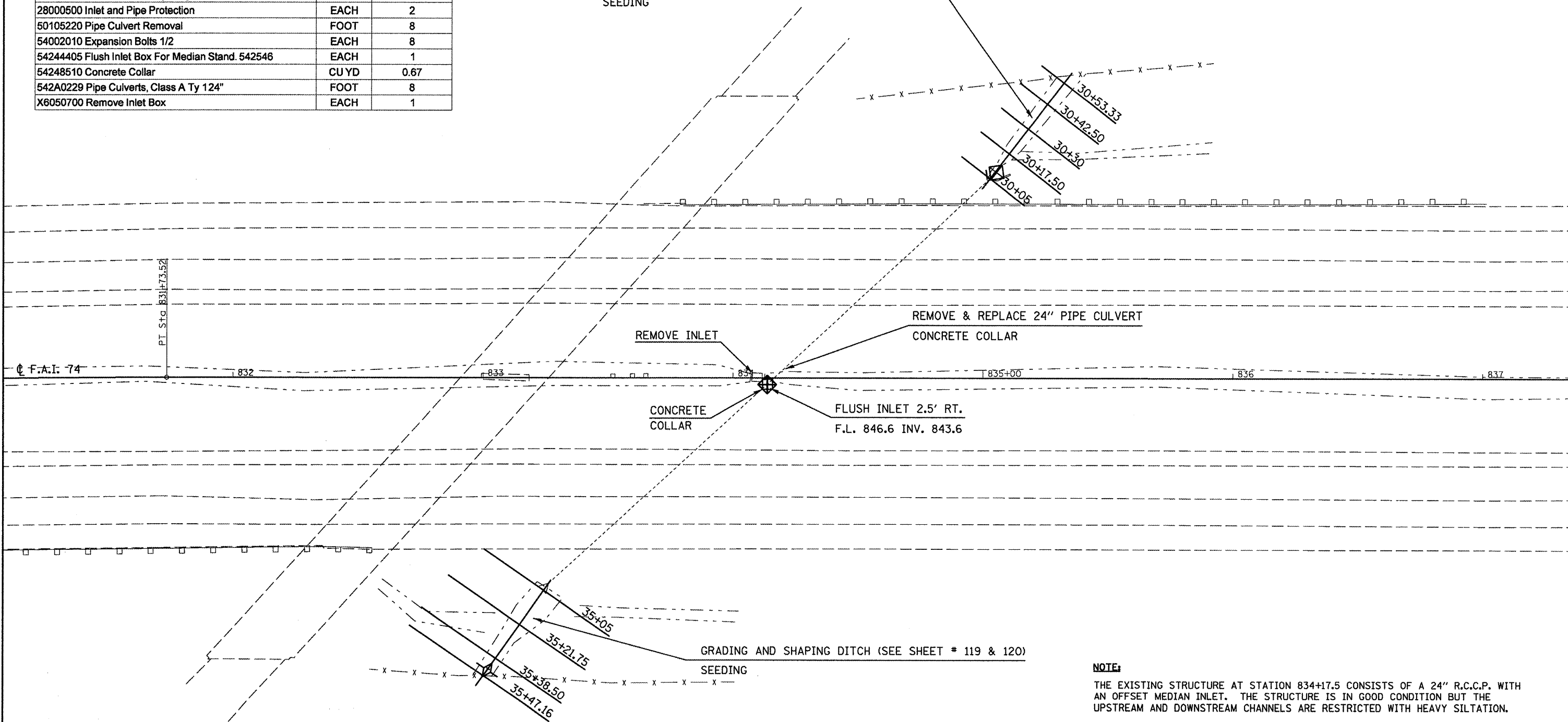
# DRAINAGE STRUCTURE IMPROVEMENT DETAIL

## LOCATION #4 STA. 834 + 17.5



ITEM # AND DESCRIPTION	UNIT	QUANTITY
21400100 Grading and Shaping Ditches	FOOT	98
25000210 Seeding, Class 2A	ACRE	0.052
25000400 Nitrogen Fert. Nutr.	POUND	4.68
25000500 Phosphorous Fert. Nutr.	POUND	4.68
25000600 Potassium Fert. Nutr.	POUND	4.68
25100115 Mulch Method 2	ACRE	0.052
28000250 Temp. Eros. Contr. Seeding	POUND	5.2
28000305 Ditch Check Temporary	FOOT	10
28000500 Inlet and Pipe Protection	EACH	2
50105220 Pipe Culvert Removal	FOOT	8
54002010 Expansion Bolts 1/2	EACH	8
54244405 Flush Inlet Box For Median Stand. 542546	EACH	1
54248510 Concrete Collar	CU YD	0.67
542A0229 Pipe Culverts, Class A Ty 124"	FOOT	8
X6050700 Remove Inlet Box	EACH	1

GRADING AND SHAPING DITCHES (SEE SHEET # 117 & 118)  
SEEDING



**NOTE:**

THE EXISTING STRUCTURE AT STATION 834+17.5 CONSISTS OF A 24" R.C.C.P. WITH AN OFFSET MEDIAN INLET. THE STRUCTURE IS IN GOOD CONDITION BUT THE UPSTREAM AND DOWNSTREAM CHANNELS ARE RESTRICTED WITH HEAVY SILTATION.

THE PROPOSED SCOPE OF WORK IS TO GRADE AND SHAPE THE CHANNEL UPSTREAM AND DOWNSTREAM OF THE STRUCTURE TO PROVIDE POSITIVE DRAINAGE TO AND AWAY FROM THE STRUCTURE. ALSO, THE MEDIAN INLET BOX AND LATERAL PIPE SHALL BE REPLACED TO ACCOMMODATE THE EXCAVATION REQUIRED TO CONSTRUCT THE IMPACT ATTENUATOR BASE AT THE ADJACENT OVERHEAD STRUCTURE.

FILE NAME =	USER NAME = hogenbj	DESIGNED - BJM	REVISED -
ca:\pwork\pwork\hogenbj\0158340\057050-shr-am_struct_det.dgn		DRAWN -	REVISED -
PLOT SCALE = 40.0000' / IN.		CHECKED -	REVISED -
PLOT DATE = 10/21/2010		DATE - 09/23/10	REVISED -

**STATE OF ILLINOIS  
DEPARTMENT OF TRANSPORTATION**

**DRAINAGE STRUCTURE IMPROVEMENT DETAIL  
LOCATION #4 STA. 834 + 17.5**

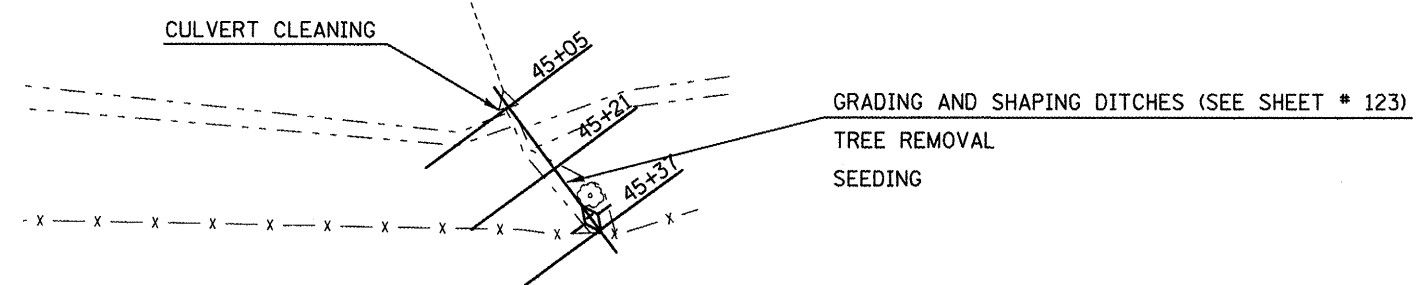
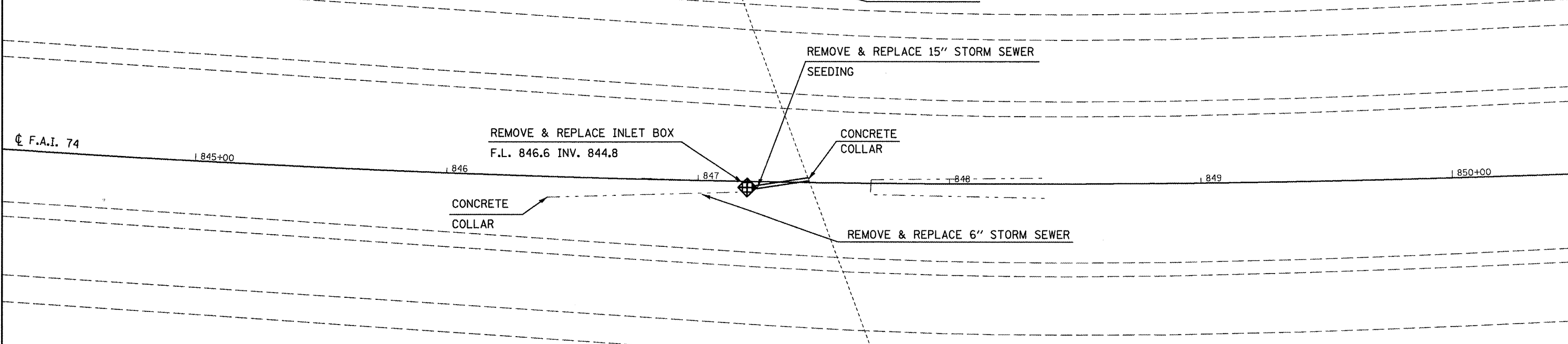
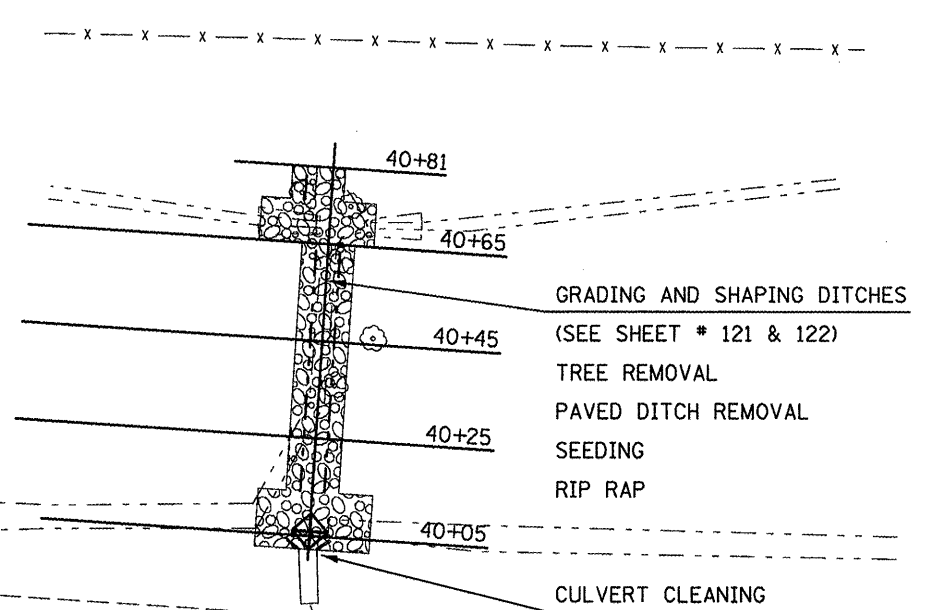
SCALE: 1" = 20'    SHEET NO. OF SHEETS    STA. TO STA.

F.A.I. RTE.	SECTION	COUNTY	TOTAL SHEETS	SHEET NO.
74	(57-2011), 21, 22 IRS-3	McLean	150	54
CONTRACT NO. 70550			ILLINOIS FED. AID PROJECT	

# DRAINAGE STRUCTURE IMPROVEMENT DETAIL LOCATION #5 STA. 847+44

LOC. #5 STA. 847+44

ITEM # AND DESCRIPTION	UNIT	QUANTITY
21400100 Grading and Shaping Ditches	FOOT	123
25000210 Seeding, Class 2A	ACRE	0.065
25000400 Nitrogen Fert. Nutr.	POUND	5.85
25000500 Phosphorous Fert. Nutr.	POUND	5.85
25000600 Potassium Fert. Nutr.	POUND	5.85
25100115 Mulch Method 2	ACRE	0.065
28000250 Temp. Eros. Contr. Seeding	POUND	6.5
28000305 Ditch Check Temporary	FOOT	10
28000500 Inlet and Pipe Protection	EACH	2
28100107 Stone Rip Rap Class A4	SQ YD	109.3
28200200 Filter Fabric	SQ YD	109.3
44004000 Paved Ditch Removal	FOOT	64
54244405 Flush Inlet Box For Median Stand. 542546	EACH	1
54248510 Concrete Collar	CU YD	0.61
550B0020 Storm Sewer Class B Ty 16"	FOOT	75
550B0070 Storm Sewer Class B Ty 115"	FOOT	25
55100200 Storm Sewer Remove 6"	FOOT	75
55100700 Storm Sewer Remove 15"	FOOT	25
X2010350 Tree Removal Acres, Special	ACRE	0.048
X6050700 Remove Inlet Box	EACH	1
Z0014800 Culvert To Be Cleaned	FOOT	12



**NOTE:**

THE EXISTING STRUCTURE AT STATION 847+44 CONSISTS OF A 24" R.C.C.P. WITH AN OFFSET MEDIAN INLET. THE STRUCTURE IS IN FAIR CONDITION WITH THE FOLLOWING DEFICIENCIES. THE 15" C.M.P. CONNECTING THE INLET BOX TO THE STRUCTURE HAS FAILED AND IS CAUSING A SINKHOLE IN THE MEDIAN. ALSO, THERE IS A 6" C.M.P. ENTERING THE INLET BOX THAT IS HEAVILY RUSTED. THE UPSTREAM AND DOWNSTREAM ENDS OF THE STRUCTURE HAVE EXPERIENCED HEAVY SILTATION. ALSO, A PAVED DITCH THAT IS LOCATED ON THE BACKSLOPE UPSTREAM OF THE STRUCTURE HAS FAILED AND SEVERE UNDERMINING HAS RENDERED IT A SAFETY HAZARD TO MAINTENANCE AT THIS TIME.

THE RECOMMENDED SCOPE OF WORK IS TO REPLACE THE MEDIAN INLET BOX WITH A NEW FLUSH INLET BOX. THE 15" C.M.P. SHALL BE REPLACED WITH A 15" STORM SEWER, CLASS "B" AND THE 6" C.M.P. SHALL BE REPLACED AS WELL. THE UPSTREAM AND DOWNSTREAM CHANNELS SHALL BE GRADED AND SHAPED TO PROVIDED POSITIVE DRAINAGE TO AND AWAY FROM THE STRUCTURE, AND THE PAVED DITCH SHALL BE REMOVED AND REPLACED WITH A RIPRAP DITCH. TREES SHALL BE REMOVED AT EACH END OF THE STRUCTURE. FINALLY, THE CULVERT SHALL BE CLEANED OUT TO REMOVE SILTATION FROM BOTH ENDS.

FILE NAME =	USER NAME = hogenbj	DESIGNED - BJM	REVISED -
ca\pwwork\pwwork\hogenbj\0815834\0570	58-shit-am struct detdgn	DRAWN -	REVISED -
	PLOT SCALE = 1/8" = 10.0000' / IN.	CHECKED -	REVISED -
	PLOT DATE = 10/21/2010	DATE - 09/23/10	REVISED -

**STATE OF ILLINOIS  
DEPARTMENT OF TRANSPORTATION**

**DRAINAGE STRUCTURE IMPROVEMENT DETAIL  
LOCATION #5 STA. 847+44**

SCALE: 1" = 20'    SHEET NO. OF SHEETS    STA. TO STA.

F.A.I. RTE.	SECTION	COUNTY	TOTAL SHEETS	SHEET NO.
74	(57-2011)21.22IRS-3	McLean	150	55
			CONTRACT NO. 70550	
ILLINOIS FED. AID PROJECT				

# DRAINAGE STRUCTURE IMPROVEMENT DETAIL

## LOCATION #6 STA. 858 + 38

### S.N. 057-8556

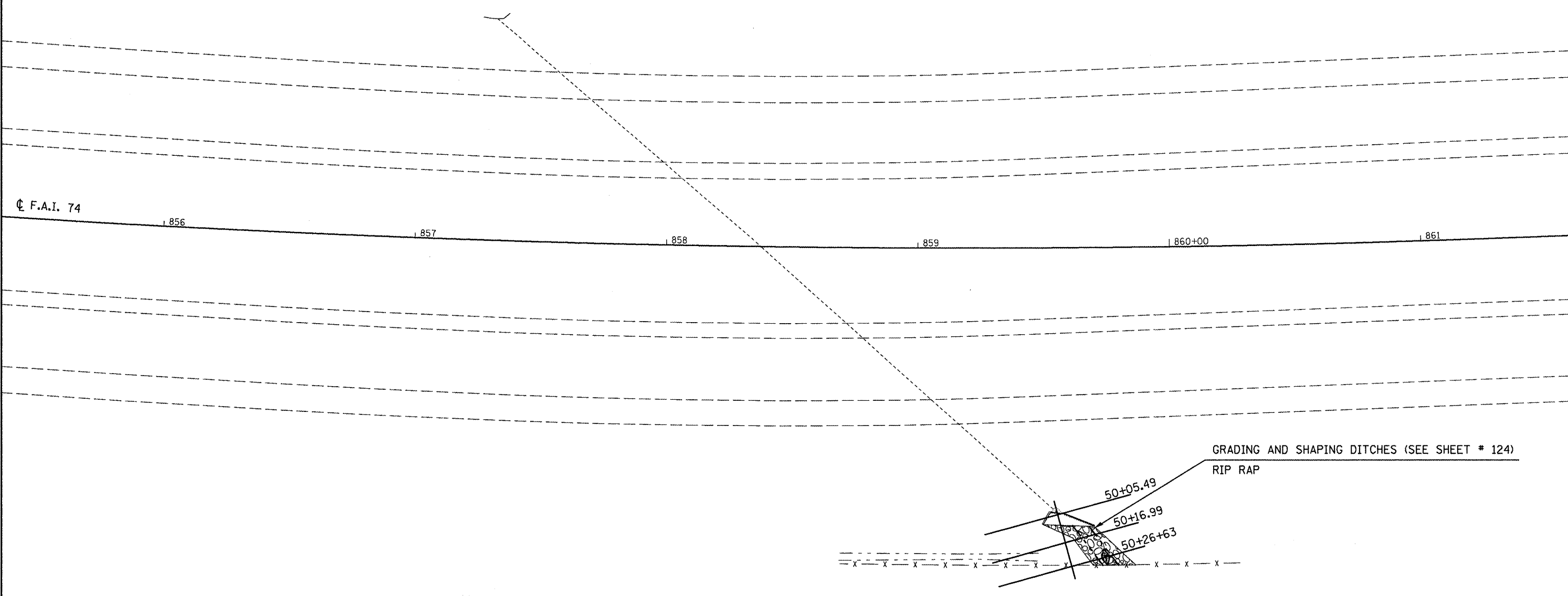
LOC. #6 STA.858+38

ITEM # AND DESCRIPTION	UNIT	QUANTITY
21400100 Grading and Shaping Ditches	FOOT	20
28000305 Ditch Check Temporary	FOOT	10
28100107 Stone Rip Rap Class A4	SQ YD	29.8
28200200 Filter Fabric	SQ YD	29.8

**NOTE:**

THE EXISTING STRUCTURE AT STATION 858+38 CONSISTS OF A 36" R.C.C.P. WITH CAST IN PLACE END SECTIONS. THE STRUCTURE IS IN GOOD CONDITION BUT THE DOWNSTREAM CHANNEL HAS EXPERIENCED SCOUR AND THE TOEWALL IS EXPOSED.

THE PROPOSED SCOPE OF WORK IS TO REGRADE THE DOWNSTREAM CHANNEL AND PROTECT IT WITH A TREATMENT OF RIPRAP WITHIN THE R.O.W.



FILE NAME =	USER NAME = hoganbj	DESIGNED - BJM	REVISED -	<b>STATE OF ILLINOIS DEPARTMENT OF TRANSPORTATION</b>	<b>DRAINAGE STRUCTURE IMPROVEMENT DETAIL LOCATION #6 STA. 858 + 38</b>	F.A.I. RTE. =	SECTION	COUNTY	TOTAL SHEETS	SHEET NO.
c:\pwwork\pwwork\hoganbj\d0158340\057058-ah-struct det.dgn	DRAWN -	REVISED -	74			(57-2011),21,22RS-3	McLean	150	56	
PLOT SCALE = 40.0000' / IN.	CHECKED -	REVISED -	CONTRACT NO. T0550							
PLOT DATE = 10/21/2010	DATE - 09/23/10	REVISED -	ILLINOIS FED. AID PROJECT							
				SCALE: 1" = 20'	SHEET NO. OF SHEETS	STA.	TO STA.			



# DRAINAGE STRUCTURE IMPROVEMENT DETAIL

## LOCATION #7 STA. 877 + 60.8



**NOTE:**

THE EXISTING STRUCTURE AT STATION 877+60.8 CONSISTS OF A 5'x4' R.C. BOX CULVERT WITH AN OFFSET MEDIAN INLET. THE STRUCTURE IS IN GOOD CONDITION BUT THE DOWNSTREAM CHANNEL HAS EXPERIENCED SCOUR THAT IS APPROXIMATELY 15" DEEP AT THE DOWNSTREAM TOEWALL. THERE ARE ALSO TREE GROWING AT THE DOWNSTREAM END OF THE STRUCTURE THAT ARE RESTRICTING DRAINAGE AWAY FROM THE STRUCTURE.

THE PROPOSED SCOPE OF WORK IS TO REMOVE THE TREES AT THE DOWNSTREAM END AND REGRADE THE CHANNEL TO ACCEPT A TREATMENT OF RIPRAP WITHIN R.O.W.

LOC. #7 STA. 877+60.8

ITEM # AND DESCRIPTION	UNIT	QUANTITY
21400100 Grading and Shaping Ditches	FOOT	25
25000210 Seeding, Class 2A	ACRE	0.004
25000400 Nitrogen Fert. Nutr.	POUND	0.36
25000500 Phosphorous Fert. Nutr.	POUND	0.36
25000600 Potassium Fert. Nutr.	POUND	0.36
25100115 Mulch Method 2	ACRE	0.004
28000250 Temp. Eros. Contr. Seeding	POUND	0.4
28000305 Ditch Check Temporary	FOOT	10
28100107 Stone Rip Rap Class A4	SQ YD	31.0
28200200 Filter Fabric	SQ YD	31.0
X2010350 Tree Removal Acres, Special	ACRE	0.007

☉ F.A.I. 74

| 875+00

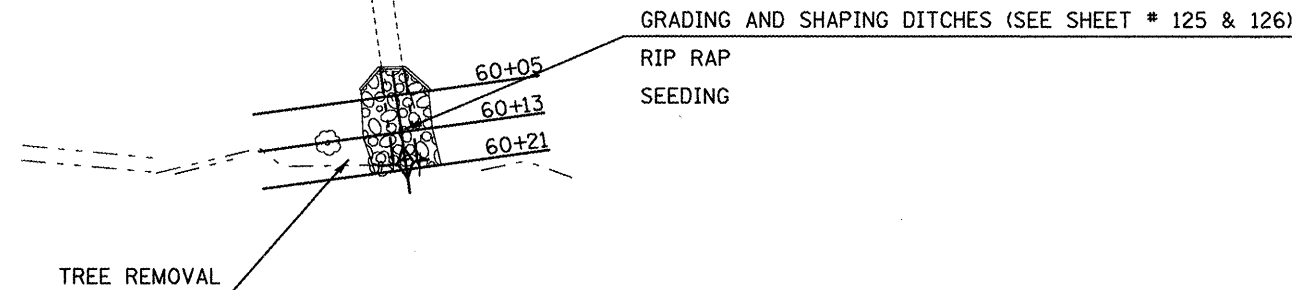
| 876

| 877

| 878

| 879

| 880+00



FILE NAME =	USER NAME = hogenbj	DESIGNED - BJM	REVISED -
c:\pw\work\pwsdot\hogenbj\d0158340\057050-shr-sm struct deLdgn		DRAWN -	REVISED -
PLOT SCALE = 40,0000 ' / IN.		CHECKED -	REVISED -
PLOT DATE = 10/21/2010		DATE - 09/23/10	REVISED -

**STATE OF ILLINOIS  
DEPARTMENT OF TRANSPORTATION**

**DRAINAGE STRUCTURE IMPROVEMENT DETAIL  
LOCATION #7 STA. 877 + 60.8**

SCALE: 1" = 20'    SHEET NO.    OF    SHEETS    STA.    TO STA.

F.A.I. RTE.	SECTION	COUNTY	TOTAL SHEETS	SHEET NO.
74	(57-20(1),21,22)RS-3	MaLean	150	57
			CONTRACT NO. 70550	
ILLINOIS FED. AID PROJECT				

# DRAINAGE STRUCTURE IMPROVEMENT DETAIL

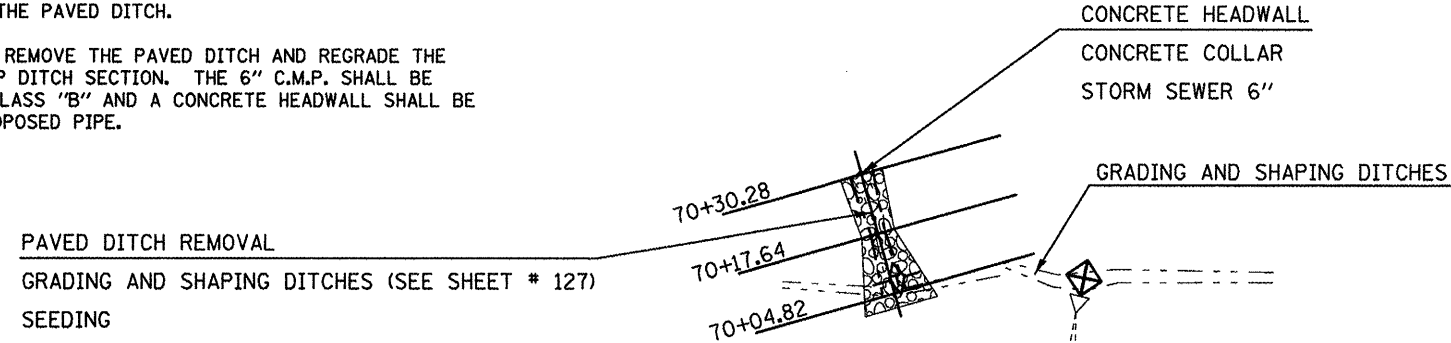
## LOCATION #8 STA. 891 + 00

LOC. #8 STA. 891+00

**NOTE:**

THE EXISTING STRUCTURE AT STATION 891+00 CONSISTS OF A 36" R.C.C.P. WITH AN OFFSET MEDIAN INLET. THE STRUCTURE IS IN GOOD CONDITION BUT A PAVED DITCH LOCATED ON THE BACKSLOPE APPROXIMATELY 50 FT. UPSTREAM AND WEST OF THE STRUCTURE HAS FAILED. SEVERE UNDERMINING AND COLLAPSE OF THE PAVED DITCH HAS RENDERED IT A SAFETY HAZARD TO MAINTENANCE AT THIS TIME. THERE IS A 6" C.M.P. AT THE TOP OF THE BACKSLOPE THAT OUTLETS ONTO THE PAVED DITCH.

THE PROPOSED SCOPE OF WORK IS TO REMOVE THE PAVED DITCH AND REGRADE THE BACKSLOPE TO ACCOMMODATE A RIPRAP DITCH SECTION. THE 6" C.M.P. SHALL BE EXTENDED WITH A 6" STORM SEWER, CLASS "B" AND A CONCRETE HEADWALL SHALL BE PROVIDED AT THE OUTLET OF THE PROPOSED PIPE.



ITEM # AND DESCRIPTION	UNIT	QUANTITY
21400100 Grading and Shaping Ditches	FOOT	65
25000210 Seeding, Class 2A	ACRE	0.004
25000400 Nitrogen Fert. Nutr.	POUND	0.36
25000500 Phosphorous Fert. Nutr.	POUND	0.36
25000600 Potassium Fert. Nutr.	POUND	0.36
25100115 Mulch Method 2	ACRE	0.004
28000250 Temp. Eros. Contr. Seeding	POUND	0.4
28000305 Ditch Check Temporary	FOOT	10
28000500 Inlet and Pipe Protection	EACH	1
28100107 Stone Rip Rap Class A4	SQ YD	30.6
28200200 Filter Fabric	SQ YD	30.6
44004000 Paved Ditch Removal	FOOT	25
54248510 Concrete Collar	CU YD	0.14
550B0020 Storm Sewer Class B Ty 16"	FOOT	10
60100060 Concrete Headwalls for Pipe Drains	EACH	1

PAVED DITCH REMOVAL  
 GRADING AND SHAPING DITCHES (SEE SHEET # 127)  
 SEEDING

888      C F.A.I. 74      889      890+00      891      892      893      894

FILE NAME =	USER NAME = hoganbj	DESIGNED - BJM	REVISED -	<b>STATE OF ILLINOIS DEPARTMENT OF TRANSPORTATION</b>	<b>DRAINAGE STRUCTURE IMPROVEMENT DETAIL LOCATION #8 STA. 891 + 00</b>	F.A.I. RTE.	SECTION	COUNTY	TOTAL SHEETS	SHEET NO.	
DRAWN -	CHECKED -	DATE - 09/23/10	REVISED -			74	(57-20(1),21,22)RS-3	McLean	150	58	
PLOT SCALE = 48,0000' / IN.	PLOT DATE = 10/21/2010	SCALE: 1" = 20'	SHEET NO. OF SHEETS			STA.	TO STA.	CONTRACT NO. 70550 ILLINOIS FED. AID PROJECT			
CONTRACT NO. 70550											

# DRAINAGE STRUCTURE IMPROVEMENT DETAIL

## LOCATION #9 STA. 895 + 62

### S.N. 057-8558



**NOTE:**

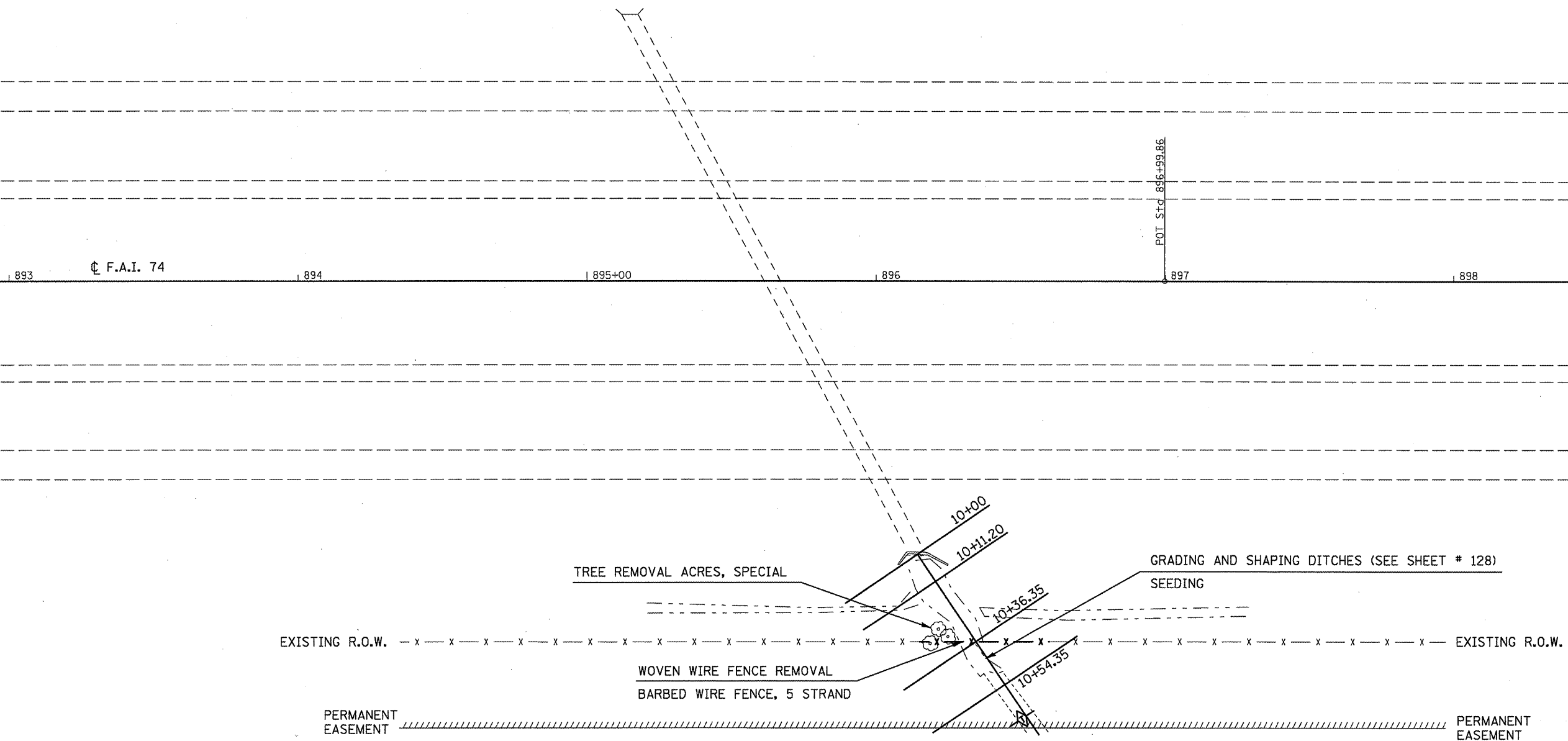
THE EXISTING STRUCTURE AT STATION 895+62 CONSISTS OF A 5'x4' R.C. BOX CULVERT. THE STRUCTURE IS IN GOOD CONDITION BUT THE DOWNSTREAM CHANNEL HAS EXPERIENCED SILTATION THE IS LIKELY DUE TO AN ACCUMULATION OF AGRICULTURAL DEBRIS ON THE ACCESS CONTROL FENCE. THERE ARE ALSO SOME TREES AND BRUSH GROWING AT THE DOWNSTREAM END.

THE PROPOSED SCOPE OF WORK IS TO REMOVE AND PROPERLY DISPOSE OF THE TREES AT THE DOWNSTREAM END AND TO GRADE AND SHAPE THE DOWNSTREAM CHANNEL WITHIN THE 30' PERMANENT EASEMENT. ALSO, A PORTION OF THE EXISTING WOVEN WIRE ACCESS CONTROL FENCE SHALL BE REMOVED AND REPLACED WITH A FIVE-STRAND BARBED WIRE FENCE TO MITIGATE FUTURE DEBRIS COLLECTION.

LOC. #9 STA. 895+62

ITEM # AND DESCRIPTION	UNIT	QUANTITY
21400100 Grading and Shaping Ditches	FOOT	72
25000210 Seeding, Class 2A	ACRE	0.023
25000400 Nitrogen Fert. Nutr.	POUND	2.1
25000500 Phosphorous Fert. Nutr.	POUND	2.1
25000600 Potassium Fert. Nutr.	POUND	2.1
25100115 Mulch Method 2	ACRE	0.023
28000250 Temp. Eros. Contr. Seeding	POUND	2.3
28000305 Ditch Check Temporary	FOOT	10
Z0022800 Fence Removal	FOOT	45
66503200 Barbed Wire Fence, Five Strand	FOOT	45
X2010350 Tree Removal Acres, Special	ACRE	0.007

\* EXACT LOCATION OF FENCE REMOVAL AND BARBED WIRE FENCE, FIVE STRAND TO BE DETERMINED IN FIELD.



FILE NAME =	USER NAME = hoganbj	DESIGNED - BJM	REVISED -
ca:\pwwork\pwwork\hoganbj\d0168340\057858-shr-sm_struct_det.dgn		DRAWN -	REVISED -
PLOT SCALE = 48.0000' / IN.		CHECKED -	REVISED -
PLOT DATE = 10/27/2010		DATE - 09/23/10	REVISED -

**STATE OF ILLINOIS  
DEPARTMENT OF TRANSPORTATION**

<b>DRAINAGE STRUCTURE IMPROVEMENT DETAIL</b>			
<b>LOCATION #9 STA. 895 + 62</b>			
SCALE: 1" = 20'	SHEET NO.	OF SHEETS	STA. TO STA.

F.A.I. RTE.	SECTION	COUNTY	TOTAL SHEETS	SHEET NO.
74	(57-20(1),21,22)RS-3	McLean	150	59
CONTRACT NO. 70550				
ILLINOIS FED. AID PROJECT				

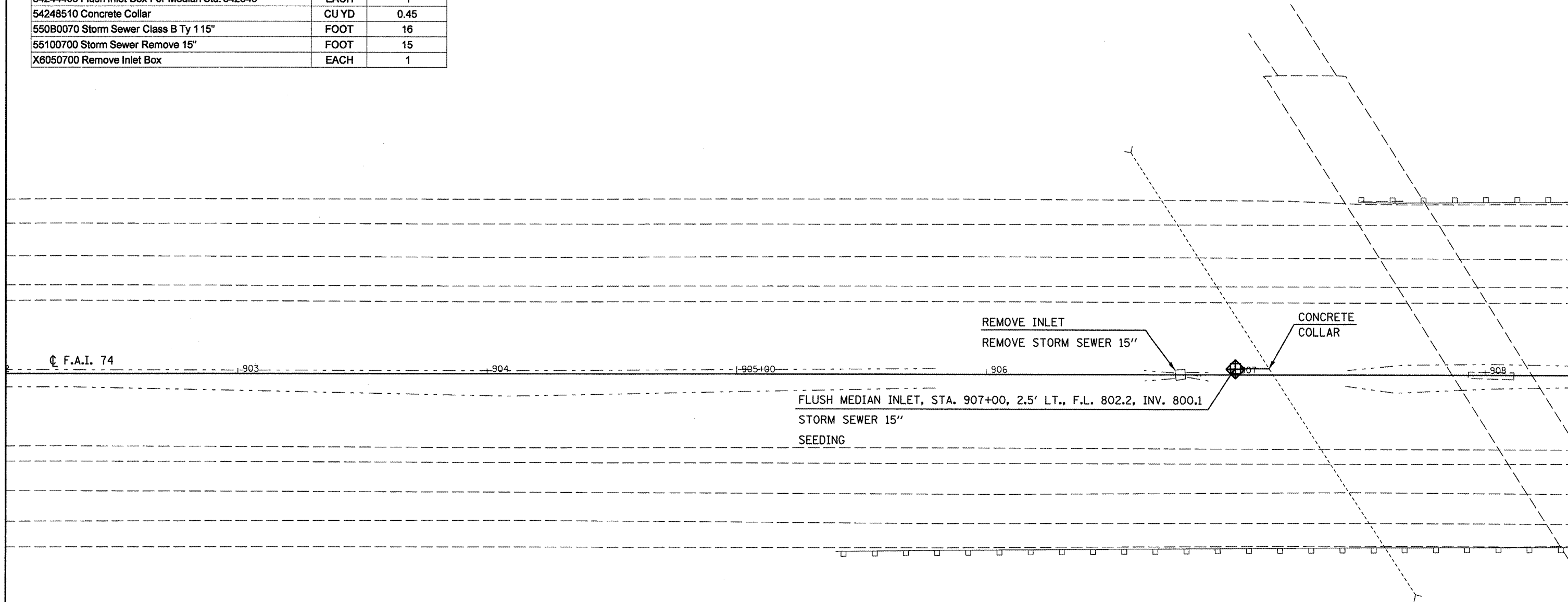
# DRAINAGE STRUCTURE IMPROVEMENT DETAIL

## LOCATION #10 STA. 907 + 15



LOC. #10 STA. 907+15

ITEM # AND DESCRIPTION	UNIT	QUANTITY
25000210 Seeding, Class 2A	ACRE	0.009
25000400 Nitrogen Fert. Nutr.	POUND	0.81
25000500 Phosphorous Fert. Nutr.	POUND	0.81
25000600 Potassium Fert. Nutr.	POUND	0.81
25100115 Mulch Method 2	ACRE	0.009
28000250 Temp. Eros. Contr. Seeding	POUND	0.9
28000500 Inlet and Pipe Protection	EACH	1
54244405 Flush Inlet Box For Median Std. 542546	EACH	1
54248510 Concrete Collar	CU YD	0.45
550B0070 Storm Sewer Class B Ty 115"	FOOT	16
55100700 Storm Sewer Remove 15"	FOOT	15
X6050700 Remove Inlet Box	EACH	1



**NOTE:**

THE EXISTING STRUCTURE AT STATION 907+15 CONSISTS OF A 24" R.C.C.P. WITH AN OFFSET MEDIAN INLET. THE STRUCTURE IS IN GOOD CONDITION BUT THE 15" C.M.P. CONNECTING THE MEDIAN INLET TO THE STRUCTURE HAS FAILED CAUSING A SINKHOLE IN THE MEDIAN.

THE PROPOSED SCOPE OF WORK IS TO REPLACE THE MEDIAN INLET AND LATERAL TO ACCOMMODATE THE EXCAVATION REQUIRED TO CONSTRUCT A PROPOSED IMPACT ATTENUATOR BASE AT THE ADJACENT OVERHEAD STRUCTURE.

FILE NAME =	USER NAME = hogenbj	DESIGNED - BJM	REVISED -	<b>STATE OF ILLINOIS DEPARTMENT OF TRANSPORTATION</b>	<b>DRAINAGE STRUCTURE IMPROVEMENT DETAIL LOCATION #10 STA. 907 + 15</b>	F.A.I. RTE. = 74	SECTION = (57-204),21,22RS-3	COUNTY = McLean	TOTAL SHEETS = 150	SHEET NO. = 60	
ca\pw_work\pwsdat\hogenbj\20150340\0570	550-aht-am struct det.dgn	DRAWN -	REVISED -			SCALE: 1" = 20'	SHEET NO. OF SHEETS STA. TO STA.	CONTRACT NO. 70550			
	PLOT SCALE = 40.0000' / IN.	CHECKED -	REVISED -			ILLINOIS FED. AID PROJECT					
	PLOT DATE = 10/21/2010	DATE = 09/23/10	REVISED -								

# DRAINAGE STRUCTURE IMPROVEMENT DETAIL

## LOCATION #11 STA. 908 + 76



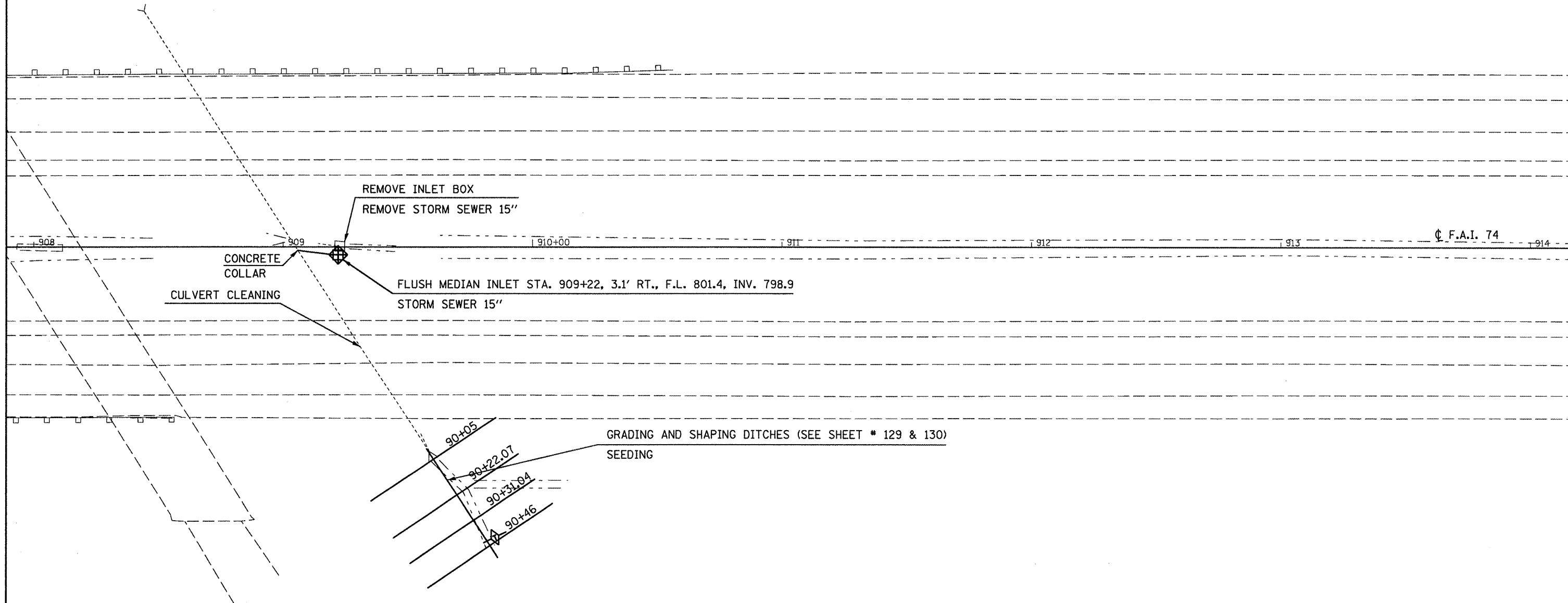
**NOTE:**

THE EXISTING STRUCTURE AT STATION 908+76 CONSISTS OF A 24" R.C.C.P. WITH AN OFFSET MEDIAN INLET. THE STRUCTURE IS IN GOOD CONDITION BUT THE 15" C.M.P. CONNECTING THE MEDIAN INLET TO THE STRUCTURE HAS FAILED CAUSING A SINKHOLE IN THE MEDIAN. THE DOWNSTREAM CHANNEL IS RESTRICTED WITH SILTATION AND HAS CAUSED SILTATION IN THE DOWNSTREAM END OF THE STRUCTURE.

THE PROPOSED SCOPE OF WORK IS TO REPLACE THE MEDIAN INLET AND LATERAL TO ACCOMMODATE THE EXCAVATION REQUIRED TO CONSTRUCT A PROPOSED IMPACT ATTENUATOR BASE AT THE ADJACENT OVERHEAD STRUCTURE. ALSO, THE DOWNSTREAM END OF THE STRUCTURE SHOULD BE CLEANED OUT AND THE DOWNSTREAM CHANNEL SHOULD BE GRADED AND SHAPED AWAY FROM THE STRUCTURE TO PROVIDE POSITIVE DRAINAGE.

LOC. #11 STA. 908+76

ITEM# AND DESCRIPTION	UNIT	QUANTITY
21400100 Grading and Shaping Ditches	FOOT	42
25000210 Seeding, Class 2A	ACRE	0.023
25000400 Nitrogen Fert. Nutr.	POUND	2.07
25000500 Phosphorous Fert. Nutr.	POUND	2.07
25000600 Potassium Fert. Nutr.	POUND	2.07
25100115 Mulch Method 2	ACRE	0.023
28000250 Temp. Eros. Contr. Seeding	POUND	2.3
28000305 Ditch Check Temporary	FOOT	10
28000500 Inlet and Pipe Protection	EACH	1
54244405 Flush Inlet Box For Median Std. 542546	EACH	1
54248510 Concrete Collar	CU YD	0.45
550B0070 Storm Sewer Class B Ty 115"	FOOT	14
55100700 Storm Sewer Remove 15"	FOOT	13
X6050700 Remove Inlet Box	EACH	1
Z0014800 Culvert To Be Cleaned	FOOT	100



FILE NAME =	USER NAME = hogenbj	DESIGNED - BJM	REVISED -
c:\pwwork\pwwork\hogenbj\d0158340\057850-shit-sm struct det.dgn		DRAWN -	REVISED -
PLOT SCALE = 48.0000' / IN.		CHECKED -	REVISED -
PLOT DATE = 10/21/2010		DATE - 09/23/10	REVISED -

**STATE OF ILLINOIS  
DEPARTMENT OF TRANSPORTATION**

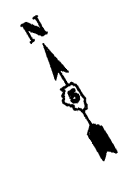
**DRAINAGE STRUCTURE IMPROVEMENT DETAIL  
LOCATION #11 STA. 908 + 76**

SCALE: 1" = 20'    SHEET NO. OF SHEETS    STA. TO STA.

F.A.I. RTE. 74	SECTION (57-20(1),21,22)RS-3	COUNTY McLean	TOTAL SHEETS 150	SHEET NO. 61
CONTRACT NO. 70550			ILLINOIS FED. AID PROJECT	

# DRAINAGE STRUCTURE IMPROVEMENT DETAIL

## LOCATION #12 STA. 919 + 32



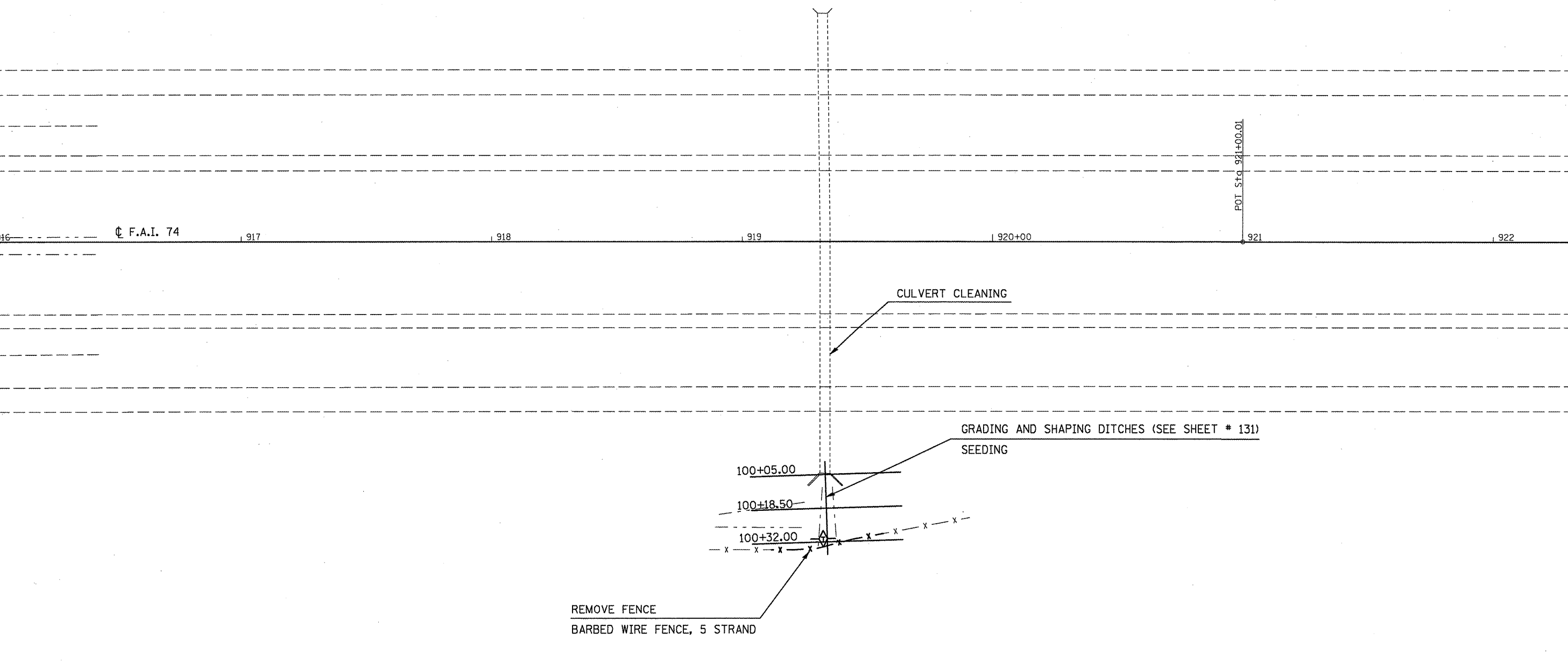
**NOTE:**

THE EXISTING STRUCTURE AT STATION 919+32 CONSISTS OF A 4'x4' R.C. BOX CULVERT. THE DOWNSTREAM END OF THE BOX AND CHANNEL HAVE EXPERIENCED MILD SILTATION THAT IS LIKELY A RESULT OF THE COLLECTION OF AGRICULTURAL DEBRIS ON THE ACCESS CONTROL FENCE.

THE RECOMMENDED SCOPE OF WORK IS TO CLEAN OUT THE DOWNSTREAM END OF THE BOX AND GRADE AND SHAPE THE DOWNSTREAM CHANNEL AWAY FROM THE STRUCTURE WITHIN R.O.W. TO PROVIDE POSITIVE DRAINAGE AWAY FROM THE STRUCTURE. ALSO, A PORTION OF THE EXISTING WOVEN WIRE ACCESS CONTROL FENCE SHALL BE REMOVED AND REPLACED WITH A FIVE STRAND BARBED WIRE FENCE TO MITIGATE FUTURE DEBRIS COLLECTION.

LOC. #12 STA.919+32		
ITEM # AND DESCRIPTION	UNIT	QUANTITY
21400100 Grading and Shaping Ditches	FOOT	27
25000210 Seeding, Class 2A	ACRE	0.009
25000400 Nitrogen Fert. Nutr.	POUND	0.81
25000500 Phosphorous Fert. Nutr.	POUND	0.81
25000600 Potassium Fert. Nutr.	POUND	0.81
25100115 Mulch Method 2	ACRE	0.009
28000250 Temp. Eros. Contr. Seeding	POUND	0.9
28000305 Ditch Check Temporary	FOOT	10
Z0022800 Fence Removal	FOOT	45
66503200 Barbed Wire Fence, Five Strand	FOOT	45
Z0005305 Box Culverts To Be Cleaned	FOOT	95

• EXACT LOCATION OF FENCE REMOVAL AND BARBED WIRE FENCE, FIVE STRAND TO BE DETERMINED IN FIELD.



FILE NAME =	USER NAME = hogenbj	DESIGNED - BJM	REVISED -
al\p\work\p\dot\hogenbj\d0158348\0578	58-sh-tram struct det.dgn	DRAWN -	REVISED -
PLOT SCALE = 40.0000 "/ IN.	CHECKED -	REVISED -	REVISED -
PLOT DATE = 10/27/2010	DATE - 09/23/10	REVISED -	REVISED -

**STATE OF ILLINOIS**  
**DEPARTMENT OF TRANSPORTATION**

**DRAINAGE STRUCTURE IMPROVEMENT DETAIL**  
**LOCATION #12 STA. 919 + 32**

SCALE: 1" = 20'    SHEET NO.    OF    SHEETS    STA.    TO STA.

F.A.I. RTE.	SECTION	COUNTY	TOTAL SHEETS	SHEET NO.
74	(57-2011)21,22(RS-3	McLean	150	62
CONTRACT NO. 70550			ILLINOIS FED. AID PROJECT	

# DRAINAGE STRUCTURE IMPROVEMENT DETAIL

## LOCATION #13 STA. 928 + 65.5



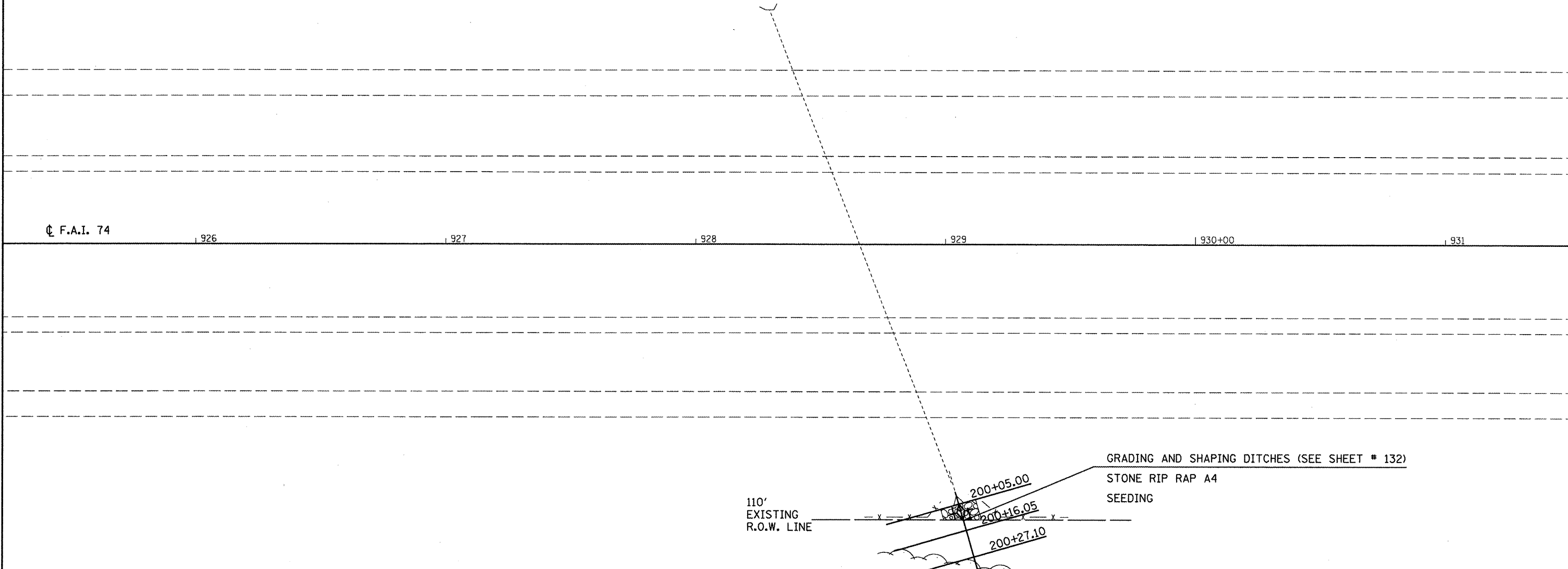
**NOTE:**

THE EXISTING STRUCTURE AT STATION 928+65.5 CONSISTS OF A 36" R.C.C.P. WITH A MEDIAN INLET AND PRECAST END SECTIONS. THERE IS MILD SCOUR AT THE DOWNSTREAM END OF THE STRUCTURE THAT HAS ALSO LED TO SOME MILD SLOPE FAILURE AROUND THE DOWNSTREAM END SECTION.

THE PROPOSED SCOPE OF WORK IS TO RE-ESTABLISH THE FORESLOPE AROUND THE DOWNSTREAM END SECTION AND GRADE THE DOWNSTREAM CHANNEL WITHIN R.O.W. TO ACCEPT A TREATMENT OF RIPRAP.

LOC. #13 STA. 928+65.5

ITEM # AND DESCRIPTION	UNIT	QUANTITY
21400100 Grading and Shaping Ditches	FOOT	13
25000210 Seeding, Class 2A	ACRE	0.005
25000400 Nitrogen Fert. Nutr.	POUND	0.45
25000500 Phosphorous Fert. Nutr.	POUND	0.45
25000600 Potassium Fert. Nutr.	POUND	0.45
25100115 Mulch Method 2	ACRE	0.005
28000250 Temp. Eros. Contr. Seeding	POUND	0.5
28000305 Ditch Check Temporary	FOOT	15
28100107 Stone Rip Rap Class A4	SQ YD	31.1
28200200 Filter Fabric	SQ YD	31.1



FILE NAME =	USER NAME = hogenbj	DESIGNED - BJM	REVISED -
ca\pwwork\pwwork\hogenbj\d0158340\057050-ah-t-sm-struct-det.dgn		DRAWN -	REVISED -
	PLOT SCALE = 40.0000' / IN.	CHECKED -	REVISED -
	PLOT DATE = 10/21/2010	DATE - 09/23/10	REVISED -

**STATE OF ILLINOIS**  
**DEPARTMENT OF TRANSPORTATION**

**DRAINAGE STRUCTURE IMPROVEMENT DETAIL**  
**LOCATION #13 STA. 928 + 65.5**

SCALE: 1" = 20'    SHEET NO. OF SHEETS    STA. TO STA.

F.A.I. RTE.	SECTION	COUNTY	TOTAL SHEETS	SHEET NO.
74	(57-20(1),21,22)RS-3	McLean	150	63
CONTRACT NO. 70550			ILLINOIS FED. AID PROJECT	

# DRAINAGE STRUCTURE IMPROVEMENT DETAIL

## LOCATION #14 STA. 932+47

### S.N. 057-8560



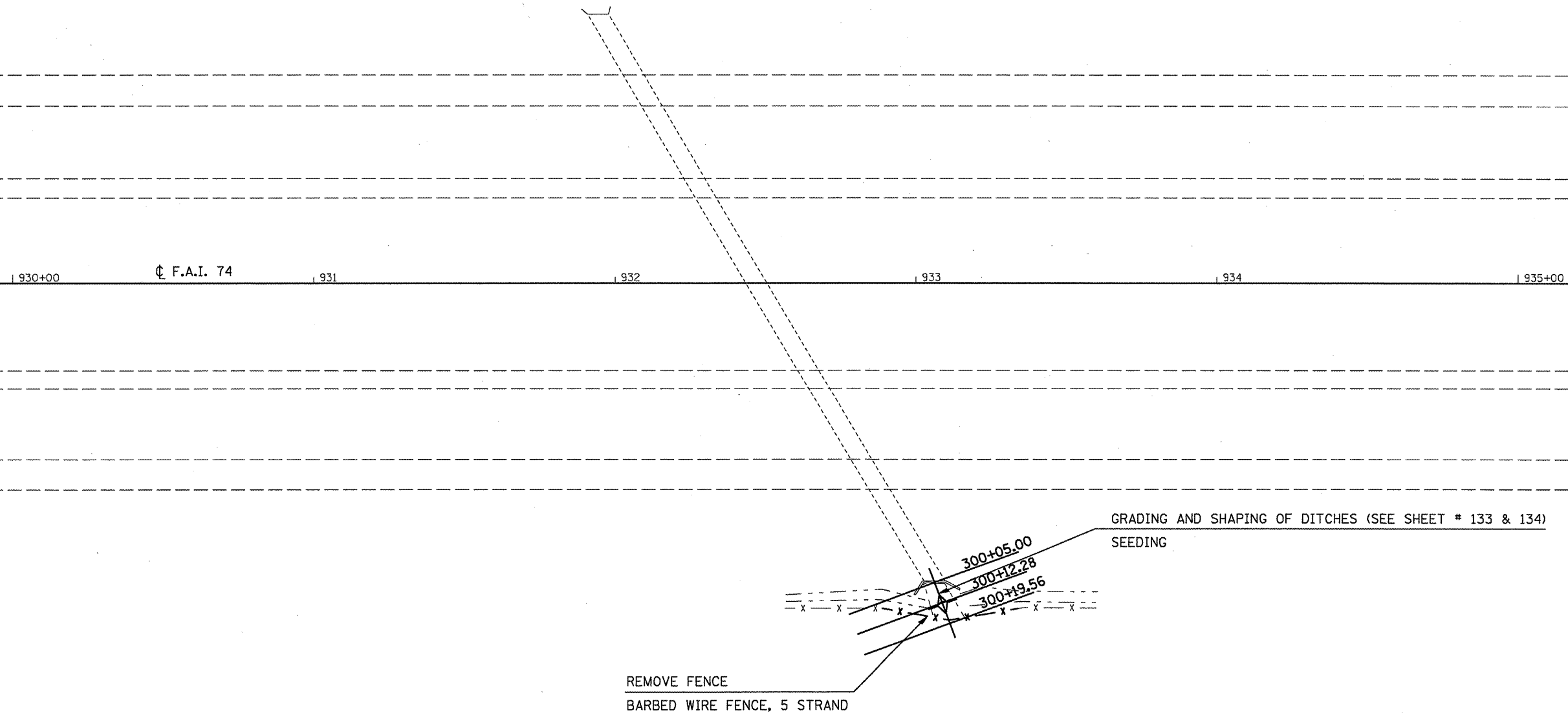
**NOTE:**

THE EXISTING STRUCTURE AT STATION 932+47 CONSISTS OF A 6'x4' R.C. BOX CULVERT. THE DOWNSTREAM CHANNEL HAS EXPERIENCED MILD SILTATION THAT IS LIKELY A RESULT OF THE COLLECTION OF AGRICULTURAL DEBRIS ON THE ACCESS CONTROL FENCE.

THE RECOMMENDED SCOPE OF WORK IS TO GRADE AND SHAPE THE DOWNSTREAM CHANNEL AWAY FROM THE STRUCTURE WITHIN R.O.W. TO PROVIDE POSITIVE DRAINAGE AWAY FROM THE STRUCTURE. ALSO, A PORTION OF THE EXISTING WOVEN WIRE ACCESS CONTROL FENCE SHALL BE REMOVED AND REPLACED WITH A FIVE STRAND BARBED WIRE FENCE TO MITIGATE FUTURE DEBRIS COLLECTION.

LOC. #14 STA. 932+47		
ITEM # AND DESCRIPTION	UNIT	QUANTITY
21400100 Grading and Shaping Ditches	FOOT	15
25000210 Seeding, Class 2A	ACRE	0.01
25000400 Nitrogen Fert. Nutr.	POUND	0.9
25000500 Phosphorous Fert. Nutr.	POUND	0.9
25000600 Potassium Fert. Nutr.	POUND	0.9
25100115 Mulch Method 2	ACRE	0.01
28000250 Temp. Eros. Contr. Seeding	POUND	1.0
28000305 Ditch Check Temporary	FOOT	15
Z0022800 Fence Removal	FOOT	45
66503200 Barbed Wire Fence, Five Strand	FOOT	45

\* EXACT LOCATION OF FENCE REMOVAL AND BARBED WIRE FENCE, FIVE STRAND TO BE DETERMINED IN FIELD.



FILE NAME =	USER NAME = hoganbj	DESIGNED - BJM	REVISED -
c:\pwwork\pwwork\hoganbj\ad015834\0578560-sht-sm_struct_det.dgn		DRAWN -	REVISED -
PLOT SCALE = 40.0000' / IN.		CHECKED -	REVISED -
PLOT DATE = 10/27/2010		DATE - 09/23/10	REVISED -

**STATE OF ILLINOIS  
DEPARTMENT OF TRANSPORTATION**

**DRAINAGE STRUCTURE IMPROVEMENT DETAIL  
LOCATION #14 STA. 932+47**

SCALE: 1" = 20'    SHEET NO.    OF    SHEETS    STA.    TO STA.

F.A.I. RTE.	SECTION	COUNTY	TOTAL SHEETS	SHEET NO.
74	(57-20(1),21,22)RS-3	McLean	150	64
CONTRACT NO. 70550			ILLINOIS FED. AID PROJECT	



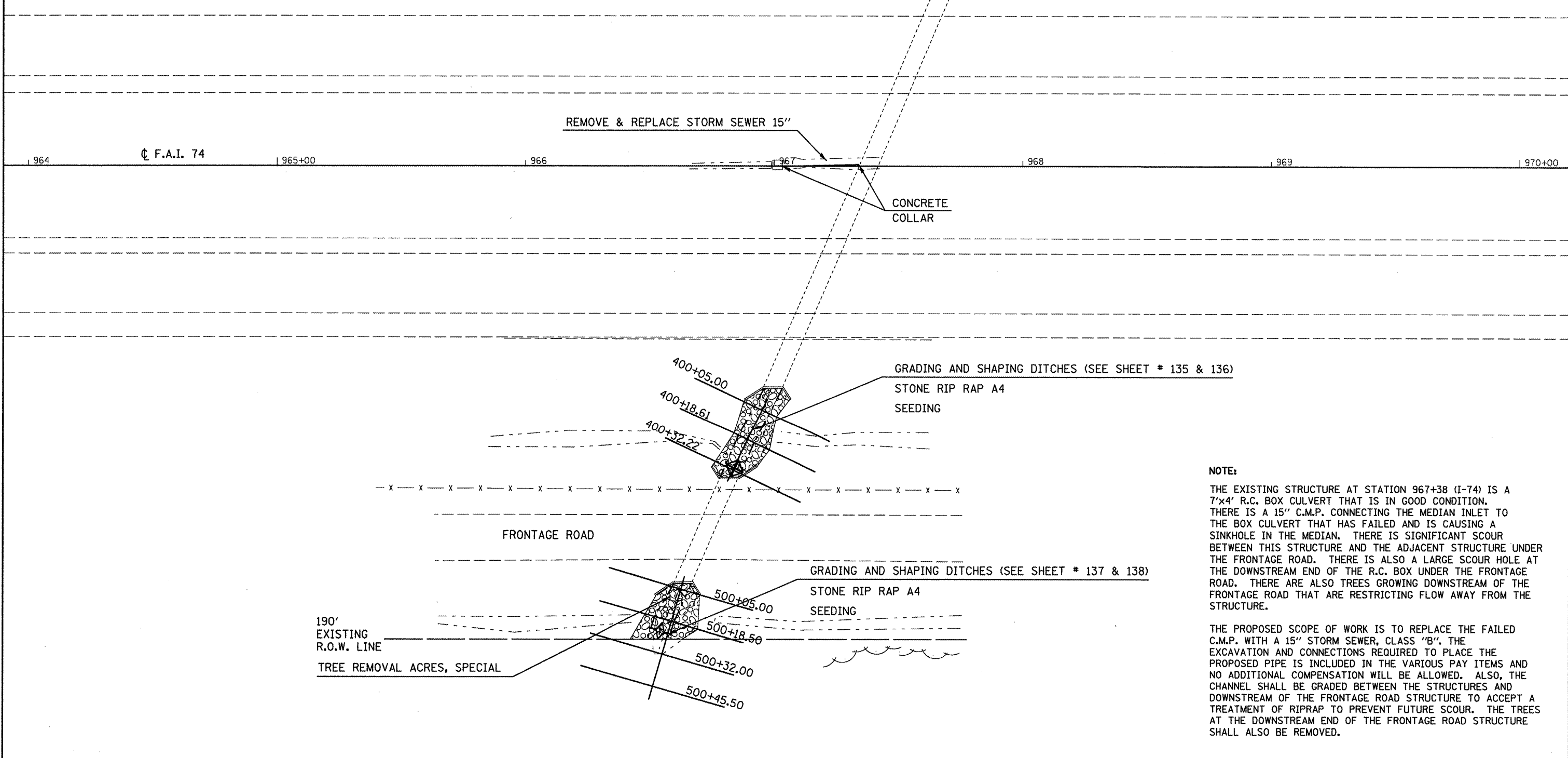
# DRAINAGE STRUCTURE IMPROVEMENT DETAIL

## LOCATIONS #15 A. STA. 967+38 (I-74) S.N. 057-8562 & #15 B. STA. 966+70.1 (FRONTAGE RD.) S.N. 057-8582



LOC. #15A STA.967+38		
ITEM # AND DESCRIPTION	UNIT	QUANTITY
21400100 Grading and Shaping Ditches	FOOT	40
25000210 Seeding, Class 2A	ACRE	0.006
25000400 Nitrogen Fert. Nutr.	POUND	0.54
25000500 Phosphorous Fert. Nutr.	POUND	0.54
25000600 Potassium Fert. Nutr.	POUND	0.54
25100115 Mulch Method 2	ACRE	0.006
28000250 Temp. Eros. Contr. Seeding	POUND	0.6
28100107 Stone Rip Rap Class A4	SQ YD	61.5
28200200 Filter Fabric	SQ YD	61.5
54002010 Expansion Bolts 1/2	EACH	4
54248510 Concrete Collar	CU YD	0.60
550B0070 Storm Sewer Class B Ty 15"	FOOT	33
55100700 Storm Sewer Remove 15"	FOOT	33

LOC. #15B STA.966+70.1 (FRONTAGE RD.)		
ITEM # AND DESCRIPTION	UNIT	QUANTITY
21400100 Grading and Shaping Ditches	FOOT	33
25000210 Seeding, Class 2A	ACRE	0.009
25000400 Nitrogen Fert. Nutr.	POUND	0.81
25000500 Phosphorous Fert. Nutr.	POUND	0.81
25000600 Potassium Fert. Nutr.	POUND	0.81
25100115 Mulch Method 2	ACRE	0.009
28000250 Temp. Eros. Contr. Seeding	POUND	0.9
28000305 Ditch Check Temporary	FOOT	20
28000500 Inlet and Pipe Protection	EACH	1
28100107 Stone Rip Rap Class A4	SQ YD	58.3
28200200 Filter Fabric	SQ YD	58.3
X2010350 Tree Removal Acres, Special	ACRE	0.016



**NOTE:**

THE EXISTING STRUCTURE AT STATION 967+38 (I-74) IS A 7'x4' R.C. BOX CULVERT THAT IS IN GOOD CONDITION. THERE IS A 15" C.M.P. CONNECTING THE MEDIAN INLET TO THE BOX CULVERT THAT HAS FAILED AND IS CAUSING A SINKHOLE IN THE MEDIAN. THERE IS SIGNIFICANT SCOUR BETWEEN THIS STRUCTURE AND THE ADJACENT STRUCTURE UNDER THE FRONTAGE ROAD. THERE IS ALSO A LARGE SCOUR HOLE AT THE DOWNSTREAM END OF THE R.C. BOX UNDER THE FRONTAGE ROAD. THERE ARE ALSO TREES GROWING DOWNSTREAM OF THE FRONTAGE ROAD THAT ARE RESTRICTING FLOW AWAY FROM THE STRUCTURE.

THE PROPOSED SCOPE OF WORK IS TO REPLACE THE FAILED C.M.P. WITH A 15" STORM SEWER, CLASS "B". THE EXCAVATION AND CONNECTIONS REQUIRED TO PLACE THE PROPOSED PIPE IS INCLUDED IN THE VARIOUS PAY ITEMS AND NO ADDITIONAL COMPENSATION WILL BE ALLOWED. ALSO, THE CHANNEL SHALL BE GRADED BETWEEN THE STRUCTURES AND DOWNSTREAM OF THE FRONTAGE ROAD STRUCTURE TO ACCEPT A TREATMENT OF RIPRAP TO PREVENT FUTURE SCOUR. THE TREES AT THE DOWNSTREAM END OF THE FRONTAGE ROAD STRUCTURE SHALL ALSO BE REMOVED.

FILE NAME =	USER NAME = hogenbj	DESIGNED - BJM	REVISED -
ca:\pwork\pwork\hogenbj\0158340\0572	50-sh-t-am struct det.dgn	DRAWN -	REVISED -
PLOT SCALE = 40.0000' / IN.	CHECKED -	REVISOR -	REVISED -
PLOT DATE = 10/21/2010	DATE - 09/23/10	REVISOR -	REVISED -

**STATE OF ILLINOIS  
DEPARTMENT OF TRANSPORTATION**

**DRAINAGE STRUCTURE IMPROVEMENT DETAIL  
LOCATION #15 A & #15 B STA. 967+38**

SCALE: 1" = 20'    SHEET NO. OF SHEETS    STA. TO STA.

F.A.I. RTE.	SECTION	COUNTY	TOTAL SHEETS	SHEET NO.
74	(57-201),21,22,RS-3	McLean	150	65
CONTRACT NO. 70550			ILLINOIS FED. AID PROJECT	

# DRAINAGE STRUCTURE IMPROVEMENT DETAIL

## LOCATION #16 STA. 972+52

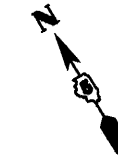
LOC. #16 STA. 972+52

ITEM# AND DESCRIPTION	UNIT	QUANTITY
21400100 Grading and Shaping Ditches	FOOT	59
28000305 Ditch Check Temporary	FOOT	15
28000500 Inlet and Pipe Protection	EACH	1
28100107 Stone Rip Rap Class A4	SQ YD	78.1
28200200 Filter Fabric	SQ YD	78.1
X2010350 Tree Removal Acres, Special	ACRE	0.016

**NOTE:**

THE EXISTING STRUCTURE AT STATION 972+52 IS A 5'x4' R.C. BOX CULVERT THAT IS IN GOOD CONDITION. THERE IS SIGNIFICANT SCOUR BETWEEN THIS STRUCTURE AND THE ADJACENT BOX CULVERT UNDER THE FRONTAGE ROAD. THERE IS ALSO A LARGE SCOUR HOLE AT THE DOWNSTREAM END OF THE R.C. BOX UNDER THE FRONTAGE ROAD. THERE ARE ALSO TREES GROWING AT BOTH ENDS OF THE STRUCTURE CARRYING FAI-74.

THE PROPOSED SCOPE OF WORK IS TO GRADE THE CHANNEL BETWEEN THE STRUCTURES AND DOWNSTREAM OF THE FRONTAGE ROAD STRUCTURE TO ACCEPT A TREATMENT OF RIPRAP TO PREVENT FUTURE SCOUR. ALSO, THE TREES AT EACH END OF THE MAINLINE STRUCTURE SHALL BE REMOVED AND PROPERLY DISPOSED OF.



TREE REMOVAL ACRES, SPECIAL

☉ F.A.I. 74 | 970+00 | 971 | 972 | 973 | 974 | 975+00

TREE REMOVAL ACRES, SPECIAL

GRADING AND SHAPING DITCHES (SEE SHEET \* 139 & 140)  
STONE RIP RAP A4

FRONTAGE ROAD

190'  
EXISTING  
R.O.W. LINE

GRADING AND SHAPING DITCHES (SEE SHEET \* 140 & 141)  
STONE RIP RAP A4

FILE NAME =	USER NAME = hoganbj	DESIGNED - BJM	REVISED -
at:\pwork\pwork\dot\hoganbj\d0158340\0572	52-shr-sm struct det.dgn	DRAWN -	REVISED -
	PLOT SCALE = 1/2" = 20'	CHECKED -	REVISED -
	PLOT DATE = 10/21/2010	DATE - 09/23/10	REVISED -

**STATE OF ILLINOIS  
DEPARTMENT OF TRANSPORTATION**

**DRAINAGE STRUCTURE IMPROVEMENT DETAIL  
LOCATION #16 STA. 972+52**

F.A.I. RTE.	SECTION	COUNTY	TOTAL SHEETS	SHEET NO.
74	(57-2011),21,22,RS-3	McLean	150	66
			CONTRACT NO. 70550	
ILLINOIS FED. AID PROJECT				

SCALE: 1" = 20'    SHEET NO. OF SHEETS    STA. TO STA.

# DRAINAGE STRUCTURE IMPROVEMENT DETAIL

## LOCATION #17 STA. 990 + 56.5

### S.N. 057-8563

LOC. #17 STA.990+56.5

**NOTE:**

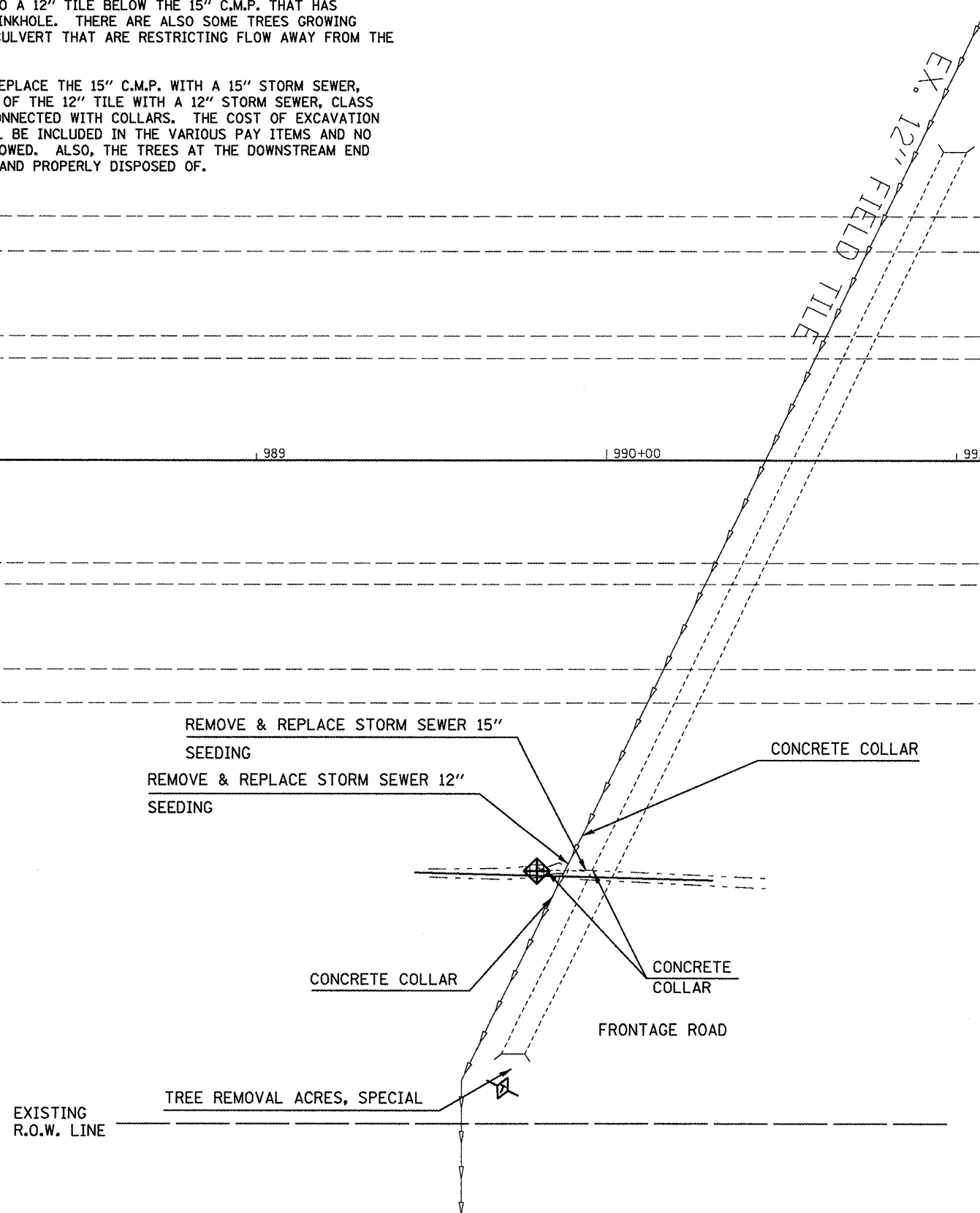
THE EXISTING STRUCTURE AT STATION 990+56.5 IS A 6'x4' R.C. BOX CULVERT THAT IS IN GOOD CONDITION. THERE IS AN OFFSET INLET IN THE SOUTH DITCH OF I-74 THAT IS CONNECTED TO THE BOX CULVERT WITH A 15" C.M.P. THE C.M.P. HAS FAILED CAUSING A SINKHOLE IN THE DITCH. THERE IS ALSO A 12" TILE BELOW THE 15" C.M.P. THAT HAS FAILED AND IS CONTRIBUTING TO THE SINKHOLE. THERE ARE ALSO SOME TREES GROWING AT THE DOWNSTREAM END OF THE BOX CULVERT THAT ARE RESTRICTING FLOW AWAY FROM THE STRUCTURE.

THE PROPOSED SCOPE OF WORK IS TO REPLACE THE 15" C.M.P. WITH A 15" STORM SEWER, CLASS "B" AND TO REPLACE A SECTION OF THE 12" TILE WITH A 12" STORM SEWER, CLASS "B" THE PROPOSED PIPES SHALL BE CONNECTED WITH COLLARS. THE COST OF EXCAVATION REQUIRED TO PERFORM THIS WORK SHALL BE INCLUDED IN THE VARIOUS PAY ITEMS AND NO ADDITIONAL COMPENSATION WILL BE ALLOWED. ALSO, THE TREES AT THE DOWNSTREAM END OF THE STRUCTURE SHALL BE REMOVED AND PROPERLY DISPOSED OF.

ITEM # AND DESCRIPTION	UNIT	QUANTITY
25000210 Seeding, Class 2A	ACRE	0.009
25000400 Nitrogen Fert. Nutr.	POUND	0.81
25000500 Phosphorous Fert. Nutr.	POUND	0.81
25000600 Potassium Fert. Nutr.	POUND	0.81
25100115 Mulch Method 2	ACRE	0.009
28000250 Temp. Eros. Contr. Seeding	POUND	0.9
28000305 Ditch Check Temporary	FOOT	15
28000500 Inlet and Pipe Protection	EACH	1
54002010 Expansion Bolts 1/2"	EACH	4
54248510 Concrete Collar	CU YD	1.10
550B0340 Storm Sewer Class B Ty 2 12"	FOOT	16
550B0360 Storm Sewer Class B Ty 2 15"	FOOT	14
55100500 Storm Sewer Remove 12"	FOOT	16
55100700 Storm Sewer Remove 15"	FOOT	14
X2010350 Tree Removal Acres, Special	ACRE	0.011



☉ F.A.I. 74      | 988      | 989      | 990+00      | 991      | 992      | 993



REMOVE & REPLACE STORM SEWER 15"  
SEEDING

REMOVE & REPLACE STORM SEWER 12"  
SEEDING

CONCRETE COLLAR

CONCRETE COLLAR

CONCRETE COLLAR

FRONTAGE ROAD

TREE REMOVAL ACRES, SPECIAL

FILE NAME =	USER NAME = hogenbj	DESIGNED - BJM	REVISED -
c:\pwork\pkadot\hogenbj\d0158340\0570560-shr-sm_struct_det.dgn		DRAWN -	REVISED -
PLOT SCALE = 40.0000' / IN.		CHECKED -	REVISED -
PLOT DATE = 10/21/2010		DATE - 09/23/10	REVISED -

**STATE OF ILLINOIS  
DEPARTMENT OF TRANSPORTATION**

**DRAINAGE STRUCTURE IMPROVEMENT DETAIL  
LOCATION #17 STA. 990 + 56.5**

SCALE: 1" = 20'    SHEET NO.    OF    SHEETS    STA.    TO STA.

F.A.I. RTE.	SECTION	COUNTY	TOTAL SHEETS	SHEET NO.
74	(57-2011)21.22IRS-3	McLean	150	67
CONTRACT NO. 70550			ILLINOIS FED. AID PROJECT	

# DRAINAGE STRUCTURE IMPROVEMENT DETAIL

## LOCATION #18 STA. 1003 + 05

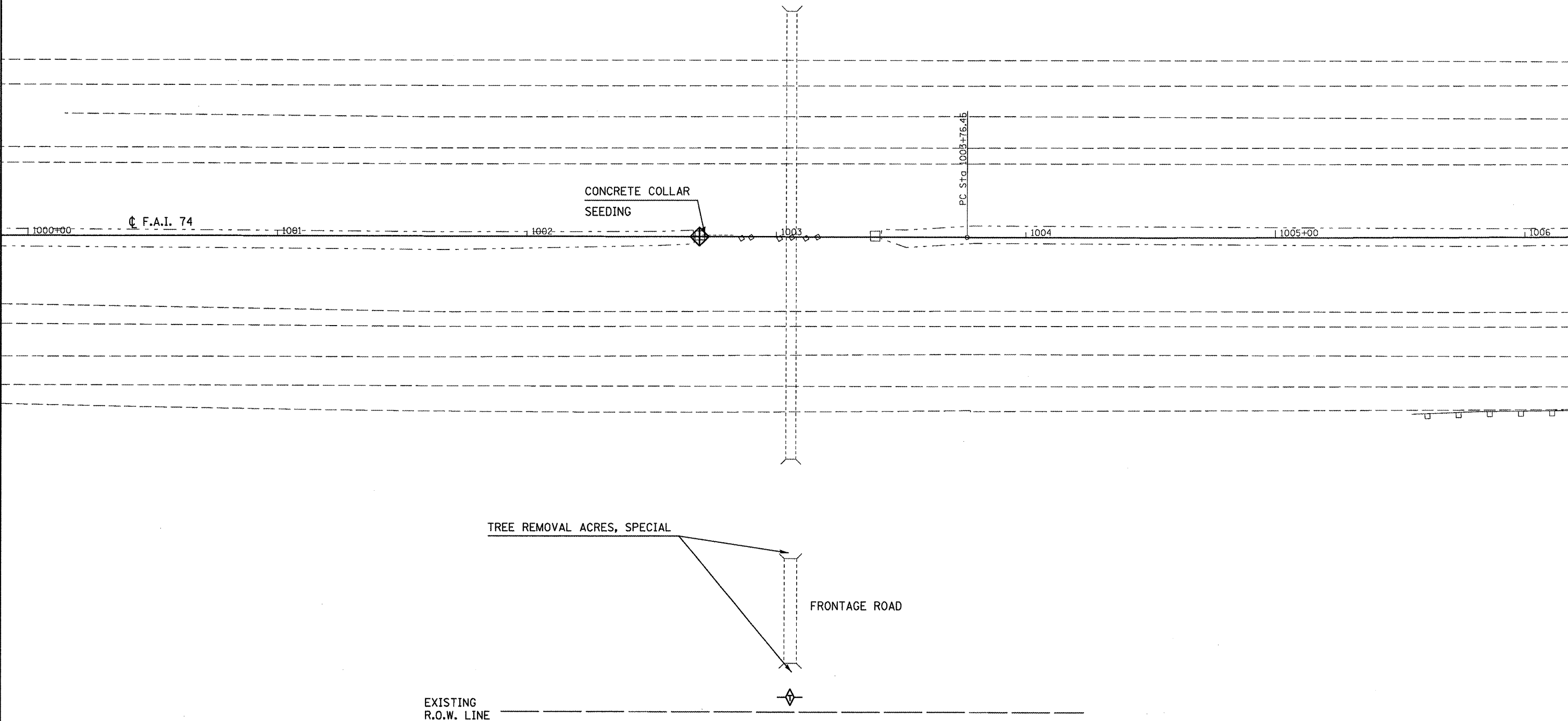
LOC. #18 STA. 1003+05

**NOTE:**

THE EXISTING STRUCTURE AT STATION 1003+05 IS A 4'x4' R.C. BOX CULVERT THAT IS IN GOOD CONDITION. THERE IS ALSO A 4'x4' R.C. BOX CULVERT IMMEDIATELY DOWNSTREAM THAT CARRIES THE FRONTAGE ROAD. THERE ARE TREES RESTRICTING FLOW AT BOTH ENDS OF THE FRONTAGE ROAD CULVERT. THE MAINLINE STRUCTURE HAS AN OFFSET MEDIAN INLET THAT IS CONNECTED TO THE BOX WITH A 15" R.C.C.P. THE 15" PIPE HAS SEPARATED FROM THE INLET BOX AND IS CAUSING A SINKHOLE IN THE MEDIAN.

THE PROPOSED SCOPE OF WORK IS TO EXCAVATE TO AND SEAL THE SEPARATED JOINT WITH A CONCRETE COLLAR. THE COST OF THE EXCAVATION REQUIRED TO PERFORM THIS WORK WILL BE INCLUDED IN THE VARIOUS PAY ITEMS AND NO ADDITIONAL COMPENSATION WILL BE ALLOWED. ALSO, THE TREES AT EACH END OF THE FRONTAGE ROAD STRUCTURE SHALL BE REMOVED TO ALLOW FOR IMPROVED FLOW TO AND AWAY FROM THAT STRUCTURE.

ITEM # AND DESCRIPTION	UNIT	QUANTITY
25000210 Seeding, Class 2A	ACRE	0.005
25000400 Nitrogen Fert. Nutr.	POUND	0.45
25000500 Phosphorous Fert. Nutr.	POUND	0.45
25000600 Potassium Fert. Nutr.	POUND	0.45
25100115 Mulch Method 2	ACRE	0.005
28000250 Temp. Eros. Contr. Seeding	POUND	0.5
28000305 Ditch Check Temporary	FOOT	10
28000500 Inlet and Pipe Protection	EACH	1
54002010 Expansion Bolts 1/2	EACH	4
54248510 Concrete Collar	CU YD	0.13
X2010350 Tree Removal Acres, Special	ACRE	0.023



FILE NAME =	USER NAME = hoganbj	DESIGNED - BJM	REVISED -
ca:\pw\work\pwidot\hoganbj\d0158340\057050-shs-am struct det.dgn		DRAWN -	REVISED -
PLOT SCALE = 40.0000' / IN.		CHECKED -	REVISED -
PLOT DATE = 10/21/2010		DATE - 09/23/10	REVISED -

**STATE OF ILLINOIS  
DEPARTMENT OF TRANSPORTATION**

**DRAINAGE STRUCTURE IMPROVEMENT DETAIL  
LOCATION #18 STA. 1003 + 05**

SCALE: 1" = 20'    SHEET NO.    OF    SHEETS    STA.    TO STA.

F.A.I. RTE.	SECTION	COUNTY	TOTAL SHEETS	SHEET NO.
74	(57-201),21,22RS-3	McLean	150	68
CONTRACT NO. 70550				

ILLINOIS FED. AID PROJECT

# DRAINAGE STRUCTURE IMPROVEMENT DETAIL

## LOCATION #19 STA. 1021 + 00



LOC. #19 STA. 1021+00 Lt.

ITEM # AND DESCRIPTION	UNIT	QUANTITY
25000210 Seeding, Class 2A	ACRE	0.005
25000400 Nitrogen Fert. Nutr.	POUND	0.45
25000500 Phosphorous Fert. Nutr.	POUND	0.45
25000600 Potassium Fert. Nutr.	POUND	0.45
25100115 Mulch Method 2	ACRE	0.005
28000250 Temp. Eros. Contr. Seeding	POUND	0.5
54248510 Concrete Collar	CU YD	0.45
Z0014800 Culvert To Be Cleaned	FOOT	8

**NOTE:**

THE EXISTING STRUCTURE AT STATION 1021+00 LT. CONSISTS OF A 24" R.C.C.P. WITH A MEDIAN INLET AND A PRECAST DOWNSTREAM END SECTION. THE STRUCTURE IS IN GOOD CONDITION BUT HAS THE FOLLOWING DEFICIENCIES. THE DOWNSTREAM END SECTION HAS SEPARATED FROM THE PIPE AND IS CAUSING A SINKHOLE IN THE FORESLOPE.

THE PROPOSED SCOPE OF WORK IS TO EXCAVATE TO AND CONSTRUCT A CONCRETE COLLAR TO SEAL THE SEPARATED JOINT. THE COST OF EXCAVATION NECESSARY TO PERFORM THE REQUIRED WORK IS INCLUDED IN THE VARIOUS PAY ITEMS AND NO ADDITIONAL COMPENSATION WILL BE ALLOWED. FINALLY, THE DOWNSTREAM END OF THE CULVERT SHALL BE CLEANED OF ALL SILTATION.

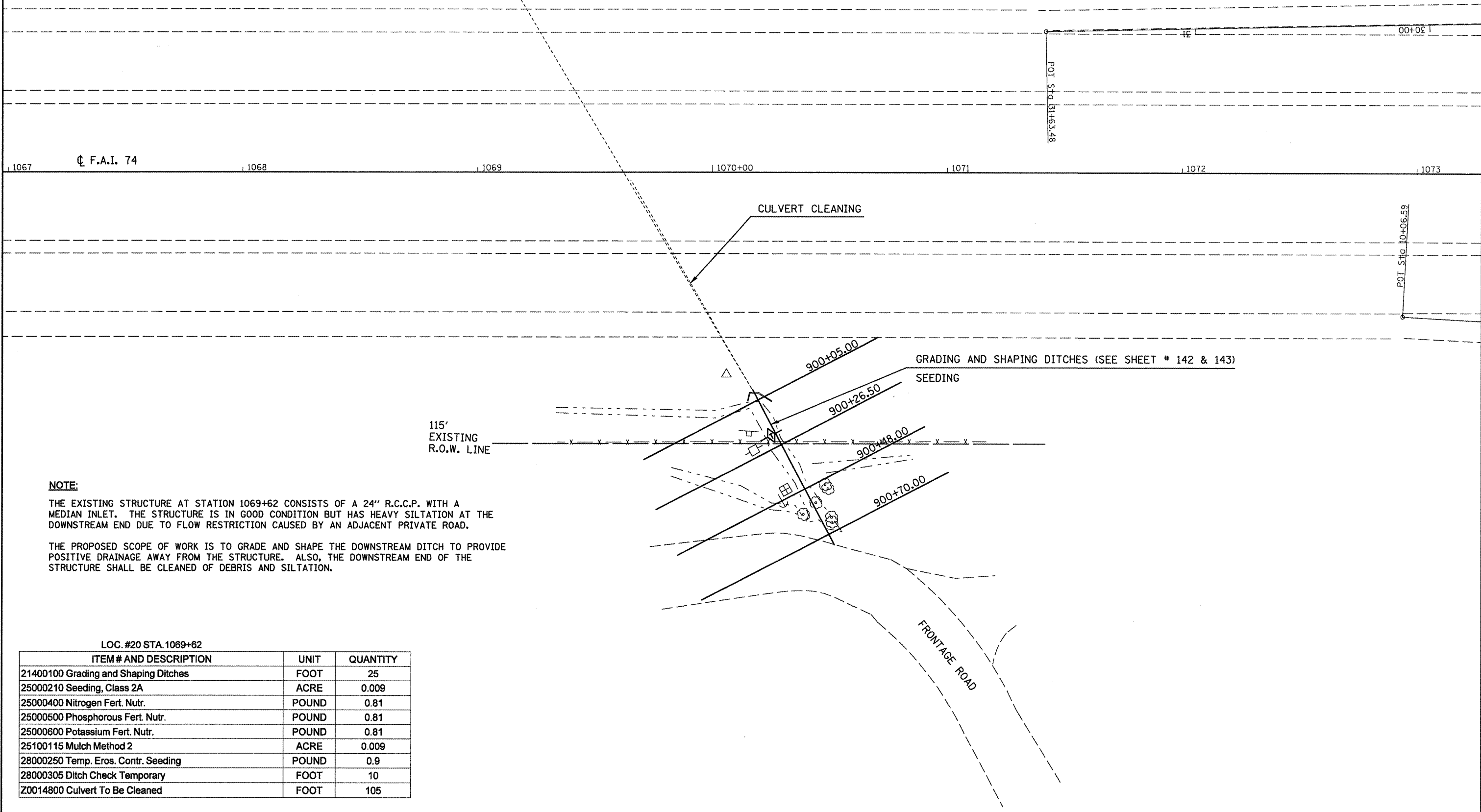
CONCRETE COLLAR  
SEEDING

CULVERT CLEANING

© F.A.I. 74      | 1019      | 1020+00      | 1021      | 1022      | 1023      | 1024

FILE NAME =	USER NAME = hoganbj	DESIGNED - BJM	REVISED -	<b>STATE OF ILLINOIS DEPARTMENT OF TRANSPORTATION</b>	<b>DRAINAGE STRUCTURE IMPROVEMENT DETAIL LOCATION #19 STA. 1021 + 00</b>	F.A.I. RTE.	SECTION	COUNTY	TOTAL SHEETS	SHEET NO.
ca\pwork\pwork\hoganbj\0158340\057052-shr-am struct det.dgn	DRAWN -	REVISIED -	74			(57-20(1),21,22)RS-3	McLean	150	69	
PLOT SCALE = 40.0000' / IN.	CHECKED -	REVISIED -	CONTRACT NO. 70550							
PLOT DATE = 10/21/2010	DATE - 09/23/10	REVISIED -	SCALE: 1" = 20'			SHEET NO. OF SHEETS	STA. TO STA.	ILLINOIS FED. AID PROJECT		

# DRAINAGE STRUCTURE IMPROVEMENT DETAIL LOCATION #20 STA. 1069 + 62



**NOTE:**

THE EXISTING STRUCTURE AT STATION 1069+62 CONSISTS OF A 24" R.C.C.P. WITH A MEDIAN INLET. THE STRUCTURE IS IN GOOD CONDITION BUT HAS HEAVY SILTATION AT THE DOWNSTREAM END DUE TO FLOW RESTRICTION CAUSED BY AN ADJACENT PRIVATE ROAD.

THE PROPOSED SCOPE OF WORK IS TO GRADE AND SHAPE THE DOWNSTREAM DITCH TO PROVIDE POSITIVE DRAINAGE AWAY FROM THE STRUCTURE. ALSO, THE DOWNSTREAM END OF THE STRUCTURE SHALL BE CLEANED OF DEBRIS AND SILTATION.

**LOC. #20 STA. 1069+62**

ITEM # AND DESCRIPTION	UNIT	QUANTITY
21400100 Grading and Shaping Ditches	FOOT	25
25000210 Seeding, Class 2A	ACRE	0.009
25000400 Nitrogen Fert. Nutr.	POUND	0.81
25000500 Phosphorous Fert. Nutr.	POUND	0.81
25000600 Potassium Fert. Nutr.	POUND	0.81
25100115 Mulch Method 2	ACRE	0.009
28000250 Temp. Eros. Contr. Seeding	POUND	0.9
28000305 Ditch Check Temporary	FOOT	10
Z0014800 Culvert To Be Cleaned	FOOT	105

FILE NAME =	USER NAME = hogenbj	DESIGNED - BJM	REVISED -
c:\pwwork\pwwork\hogenbj\d0158340\057050-sht-am_struct_det.dgn		DRAWN -	REVISED -
PLOT SCALE = 40.0000' / IN.		CHECKED -	REVISED -
PLOT DATE = 10/21/2010		DATE - 09/23/10	REVISED -

**STATE OF ILLINOIS  
DEPARTMENT OF TRANSPORTATION**

**DRAINAGE STRUCTURE IMPROVEMENT DETAIL  
LOCATION #20 STA. 1069 + 62**

SCALE: 1" = 20'    SHEET NO. OF SHEETS    STA. TO STA.

F.A.I. RTE.	SECTION	COUNTY	TOTAL SHEETS	SHEET NO.
74	(57-20(1),21,22)RS-3	McLean	150	70
CONTRACT NO. 70550			ILLINOIS FED. AID PROJECT	

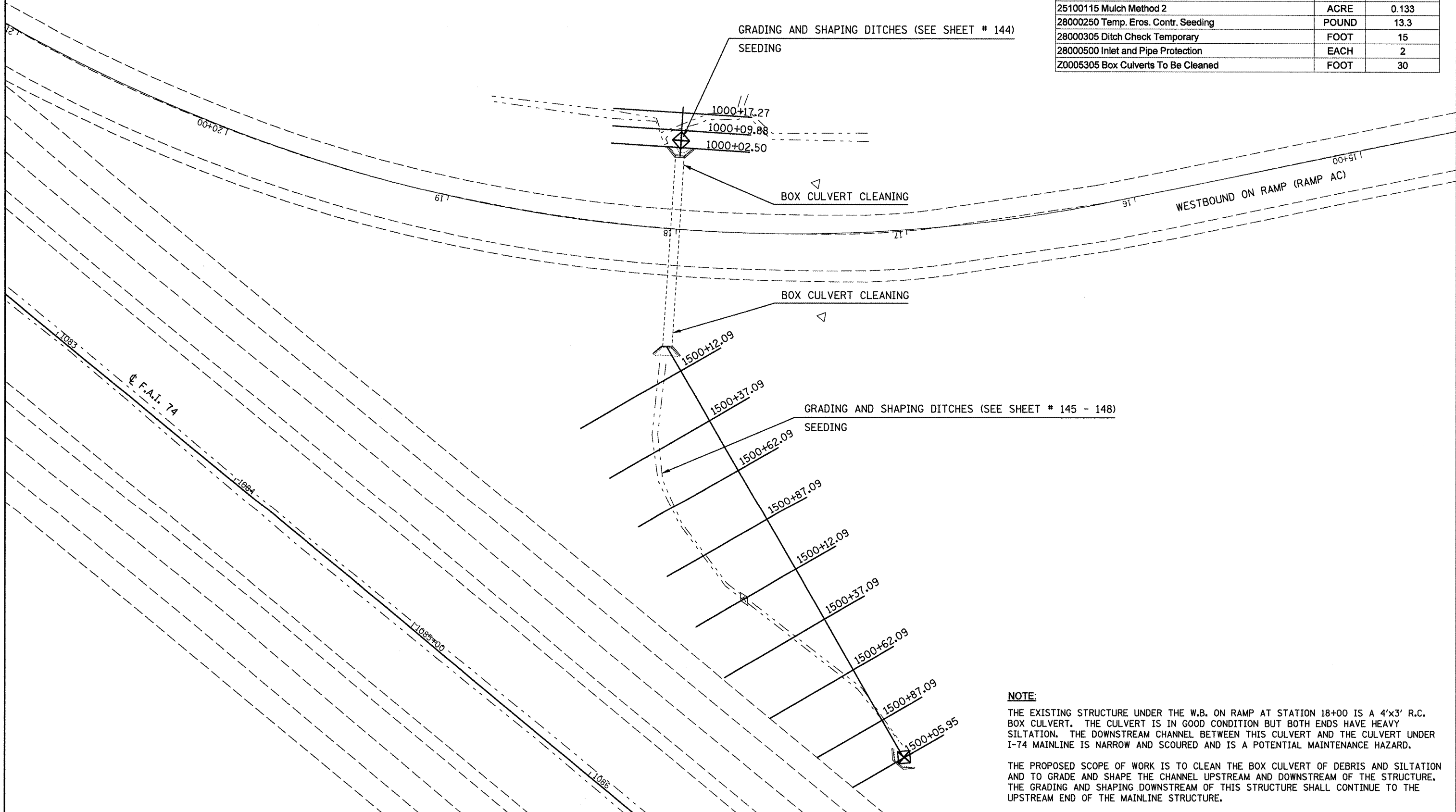
# DRAINAGE STRUCTURE IMPROVEMENT DETAIL

## LOCATION #21 STA. 18+00

### WESTBOUND ON RAMP (RAMP AC)



LOC. #21 STA. 18+00 WB ON-RAMP "AC"		
ITEM # AND DESCRIPTION	UNIT	QUANTITY
21400100 Grading and Shaping Ditches	FOOT	305
25000210 Seeding, Class 2A	ACRE	0.133
25000400 Nitrogen Fert. Nutr.	POUND	11.97
25000500 Phosphorous Fert. Nutr.	POUND	11.97
25000600 Potassium Fert. Nutr.	POUND	11.97
25100115 Mulch Method 2	ACRE	0.133
28000250 Temp. Eros. Contr. Seeding	POUND	13.3
28000305 Ditch Check Temporary	FOOT	15
28000500 Inlet and Pipe Protection	EACH	2
Z0005305 Box Culverts To Be Cleaned	FOOT	30



**NOTE:**  
 THE EXISTING STRUCTURE UNDER THE W.B. ON RAMP AT STATION 18+00 IS A 4'x3' R.C. BOX CULVERT. THE CULVERT IS IN GOOD CONDITION BUT BOTH ENDS HAVE HEAVY SILTATION. THE DOWNSTREAM CHANNEL BETWEEN THIS CULVERT AND THE CULVERT UNDER I-74 MAINLINE IS NARROW AND SCoured AND IS A POTENTIAL MAINTENANCE HAZARD.  
 THE PROPOSED SCOPE OF WORK IS TO CLEAN THE BOX CULVERT OF DEBRIS AND SILTATION AND TO GRADE AND SHAPE THE CHANNEL UPSTREAM AND DOWNSTREAM OF THE STRUCTURE. THE GRADING AND SHAPING DOWNSTREAM OF THIS STRUCTURE SHALL CONTINUE TO THE UPSTREAM END OF THE MAINLINE STRUCTURE.

FILE NAME =	USER NAME = hoganbj	DESIGNED - BJM	REVISED -
ca:\pw_work\pwwork\hoganbj\0815834\0570	58-shit-am struct det.dgn	DRAWN -	REVISED -
	PLOT SCALE = 40.0000' / IN.	CHECKED -	REVISED -
	PLOT DATE = 10/21/2010	DATE - 09/23/10	REVISED -

**STATE OF ILLINOIS**  
**DEPARTMENT OF TRANSPORTATION**

**DRAINAGE STRUCTURE IMPROVEMENT DETAIL**  
**LOCATION #21 STA. 18+00**

SCALE: 1" = 20'    SHEET NO.    OF    SHEETS    STA.    TO STA.

F.A.I. RTE.	SECTION	COUNTY	TOTAL SHEETS	SHEET NO.
74	(57-2011), 21, 22 IRS-3	McLean	150	71
CONTRACT NO. 70550			ILLINOIS FED. AID PROJECT	

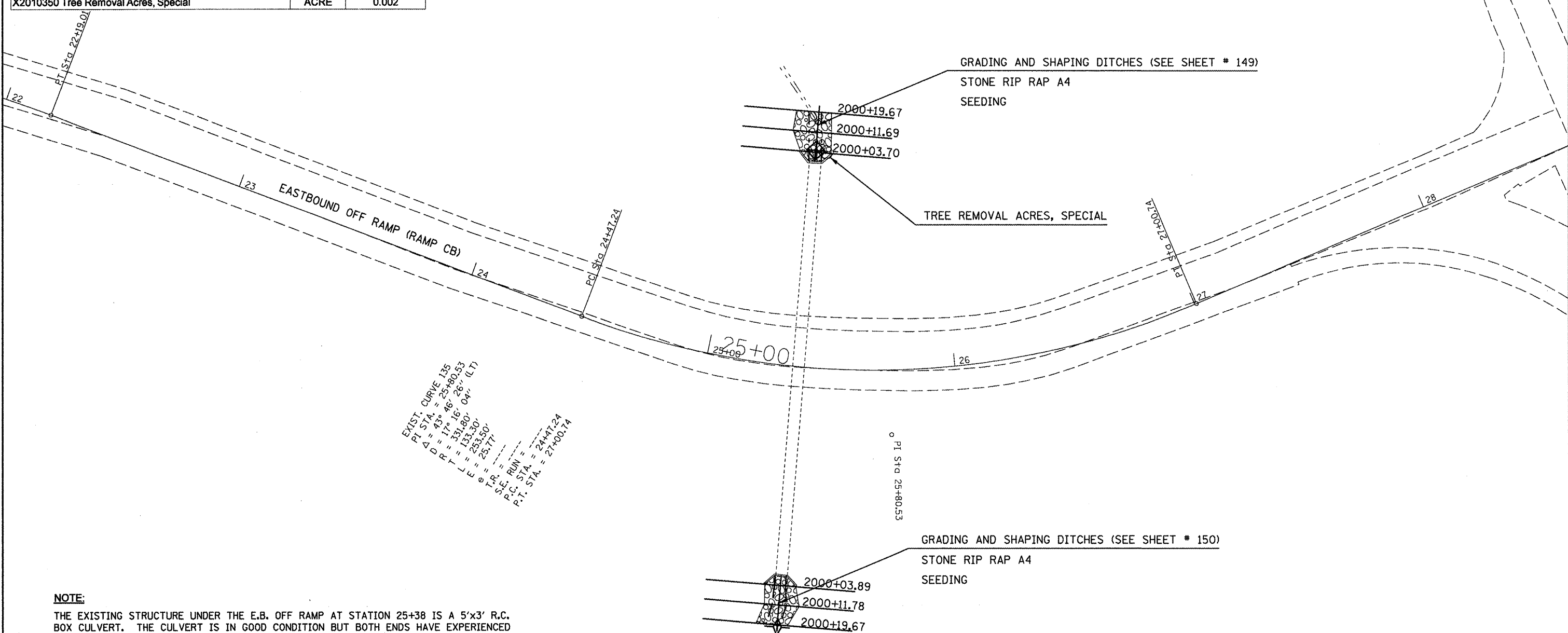
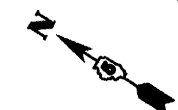
LOC. #22 STA. 25+38 EB OFF-RAMP "CB"

# DRAINAGE STRUCTURE IMPROVEMENT DETAIL

## LOCATION #22 STA. 25 + 38

### EASTBOUND OFF RAMP (RAMP CB)

ITEM# AND DESCRIPTION	UNIT	QUANTITY
21400100 Grading and Shaping Ditches	FOOT	42
25000210 Seeding, Class 2A	ACRE	0.001
25000400 Nitrogen Fert. Nutr.	POUND	0.09
25000500 Phosphorous Fert. Nutr.	POUND	0.09
25000600 Potassium Fert. Nutr.	POUND	0.09
25100115 Mulch Method 2	ACRE	0.001
28000250 Temp. Eros. Contr. Seeding	POUND	0.1
28000305 Ditch Check Temporary	FOOT	15
28000500 Inlet and Pipe Protection	EACH	1
28100107 Stone Rip Rap Class A4	SQ YD	60.7
28200200 Filter Fabric	SQ YD	60.7
X2010350 Tree Removal Acres, Special	ACRE	0.002



EXIST. CURVE 135  
 PI STA. = 25+80.53  
 Δ = 43° 46' 26" (LT)  
 R = 17' 46" 26" (LT)  
 P.T. = 331+80'  
 L = 133+30'  
 E = 283+50'  
 θ = 25.77°  
 ---  
 P.C. STA. = 24+17.24  
 P.T. STA. = 27+00.74

**NOTE:**  
 THE EXISTING STRUCTURE UNDER THE E.B. OFF RAMP AT STATION 25+38 IS A 5'x3' R.C. BOX CULVERT. THE CULVERT IS IN GOOD CONDITION BUT BOTH ENDS HAVE EXPERIENCED APPROXIMATELY 1 FT. OF SCOUR. THE UPSTREAM WINGWALLS HAVE HAD SOME SLOPE FAILURE BEHIND THEM AS A RESULT OF THE SCOUR. ALSO, THERE IS A TREE GROWING AT THE UPSTREAM END IN FRONT OF THE WING.  
 THE RECOMMENDED SCOPE OF WORK IS TO GRADE AND SHAPE THE CHANNEL UPSTREAM AND DOWNSTREAM OF THE STRUCTURE TO ACCEPT A TREATMENT OF RIPRAP. ALSO, THE TREE SHALL BE REMOVED FROM THE UPSTREAM END.

FILE NAME =	USER NAME = hoganbj	DESIGNED - BJM	REVISED -
cd:\p_w\work\p_w\dot\hoganbj\d0158340\057850-sh-t-sm struct det.dgn		DRAWN -	REVISED -
PLOT SCALE = 48.0000' / IN.		CHECKED -	REVISED -
PLOT DATE = 10/21/2010		DATE - 09/23/10	REVISED -

**STATE OF ILLINOIS**  
**DEPARTMENT OF TRANSPORTATION**

**DRAINAGE STRUCTURE IMPROVEMENT DETAIL**  
**LOCATION #22 STA. 25 + 38**

SCALE: 1" = 20'    SHEET NO.    OF    SHEETS    STA.    TO STA.

F.A.I. RTE.	SECTION	COUNTY	TOTAL SHEETS	SHEET NO.
74	(57-20(1),21,22)RS-3	McLean	150	72
CONTRACT NO. 70550			ILLINOIS FED. AID PROJECT	

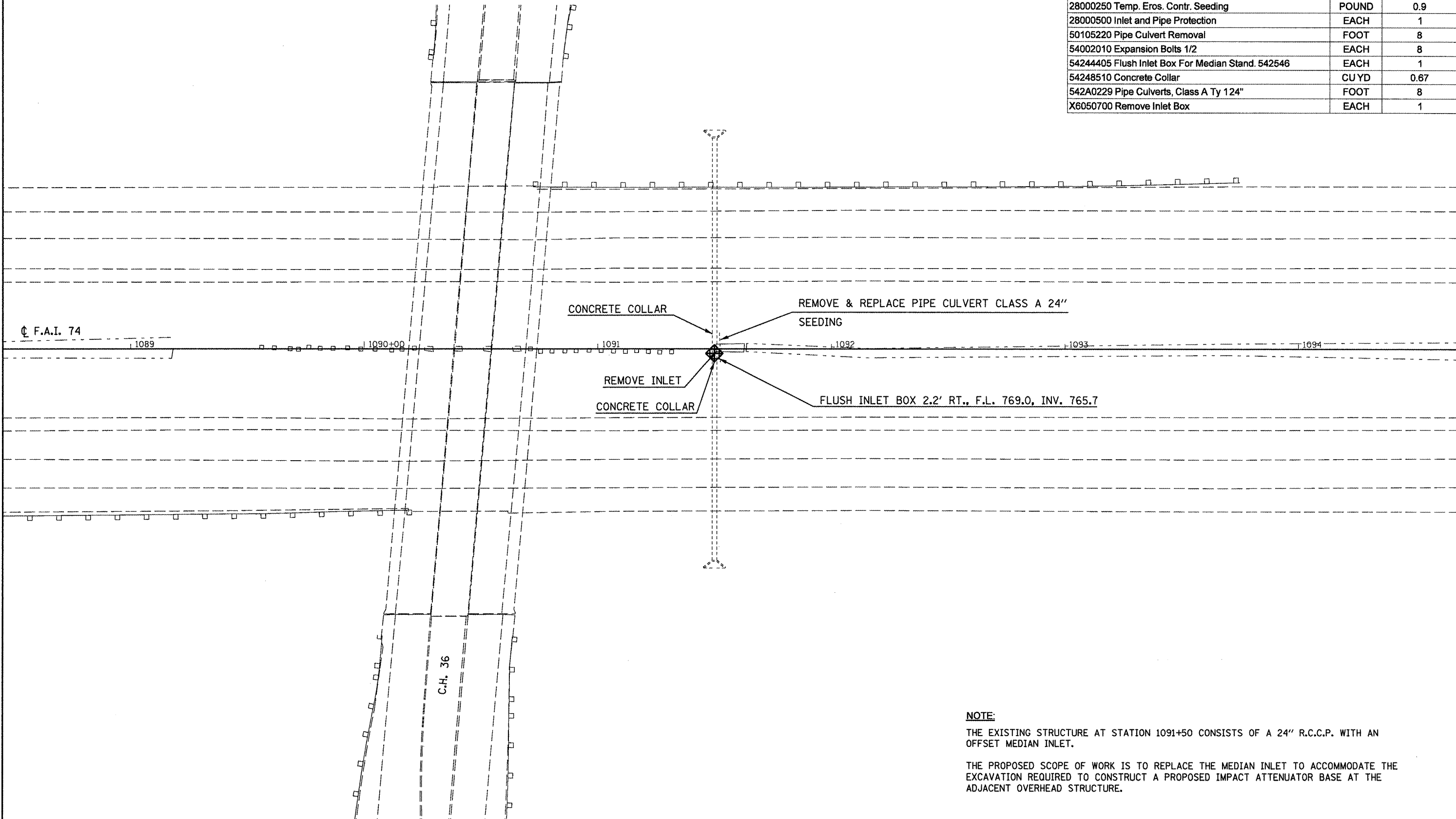


# DRAINAGE STRUCTURE IMPROVEMENT DETAIL

## LOCATION #23 STA. 1091 + 50

LOC. #23 STA. 1091+50

ITEM # AND DESCRIPTION	UNIT	QUANTITY
25000210 Seeding, Class 2A	ACRE	0.009
25000400 Nitrogen Fert. Nutr.	POUND	0.81
25000500 Phosphorous Fert. Nutr.	POUND	0.81
25000600 Potassium Fert. Nutr.	POUND	0.81
25100115 Mulch Method 2	ACRE	0.009
28000250 Temp. Eros. Contr. Seeding	POUND	0.9
28000500 Inlet and Pipe Protection	EACH	1
50105220 Pipe Culvert Removal	FOOT	8
54002010 Expansion Bolts 1/2	EACH	8
54244405 Flush Inlet Box For Median Stand. 542546	EACH	1
54248510 Concrete Collar	CU YD	0.67
542A0229 Pipe Culverts, Class A Ty 124"	FOOT	8
X6050700 Remove Inlet Box	EACH	1

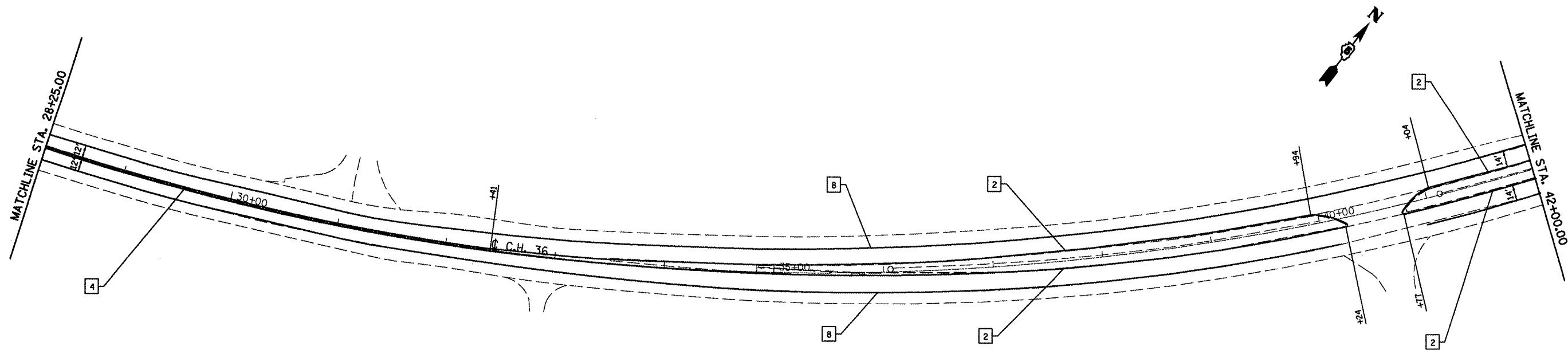
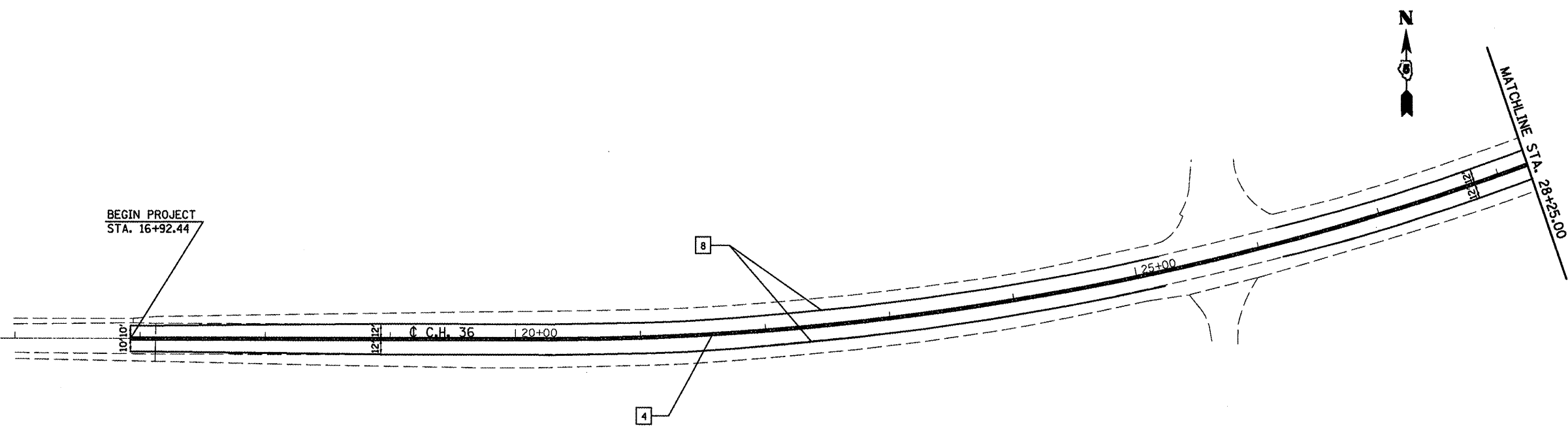


**NOTE:**  
 THE EXISTING STRUCTURE AT STATION 1091+50 CONSISTS OF A 24" R.C.C.P. WITH AN OFFSET MEDIAN INLET.  
 THE PROPOSED SCOPE OF WORK IS TO REPLACE THE MEDIAN INLET TO ACCOMMODATE THE EXCAVATION REQUIRED TO CONSTRUCT A PROPOSED IMPACT ATTENUATOR BASE AT THE ADJACENT OVERHEAD STRUCTURE.

FILE NAME =	USER NAME = hogenbj	DESIGNED - BJM	REVISED -	<b>STATE OF ILLINOIS DEPARTMENT OF TRANSPORTATION</b>	<b>DRAINAGE STRUCTURE IMPROVEMENT DETAIL</b>			F.A.I. RTE.	SECTION	COUNTY	TOTAL SHEETS	SHEET NO.
ca:\p\work\p\dot\hogenbj\d0158340\0578	58-shr-sm struct det.dgn	DRAWN -	REVISED -		74	(57-20(1),21,22)RS-3	McLean	150	73			
PLOT SCALE = 1/8" = 1' IN.	CHECKED -	REVISED -	REVISED -		LOCATION #23 STA. 1091 + 50			CONTRACT NO. 70550				
PLOT DATE = 10/21/2010	DATE - 09/23/10	REVISED -	REVISED -		SCALE: 1" = 20'			SHEET NO. OF SHEETS STA. TO STA.			ILLINOIS FED. AID PROJECT	

**TYPICAL PAVEMENT MARKING LEGEND**

- 1 4" (100) SKIP-DASH (YELLOW)
- 2 4" (100) SOLID (YELLOW)
- 3 12" (300) DIAGONAL (YELLOW)
- 4 4" (100) DOUBLE YELLOW (NARROW)
- 5 RESERVED
- 6 RESERVED
- 7 4" (100) SKIP-DASH (WHITE)
- 8 4" (100) SOLID (WHITE)
- 9 12" (300) DIAGONAL (WHITE)
- 10 6" (150) SOLID (WHITE)
- 11 24" (600) STOP BAR (WHITE)
- 12 6" (200) SOLID (WHITE)
- 13 4" (100) LANE LINE EXTENSIONS (WHITE)
- 14 4" (100) PARKING WHITE



FILE NAME =  
 c:\pwork\pwork\hoganbj\02158340\057059

USER NAME = hoganbj  
 59-sh-t-CH36.pmk.dgn  
 PLOT SCALE = 1/8" = 1' / IN.  
 PLOT DATE = 10/21/2010

DESIGNED -  
 DRAWN -  
 CHECKED -  
 DATE -

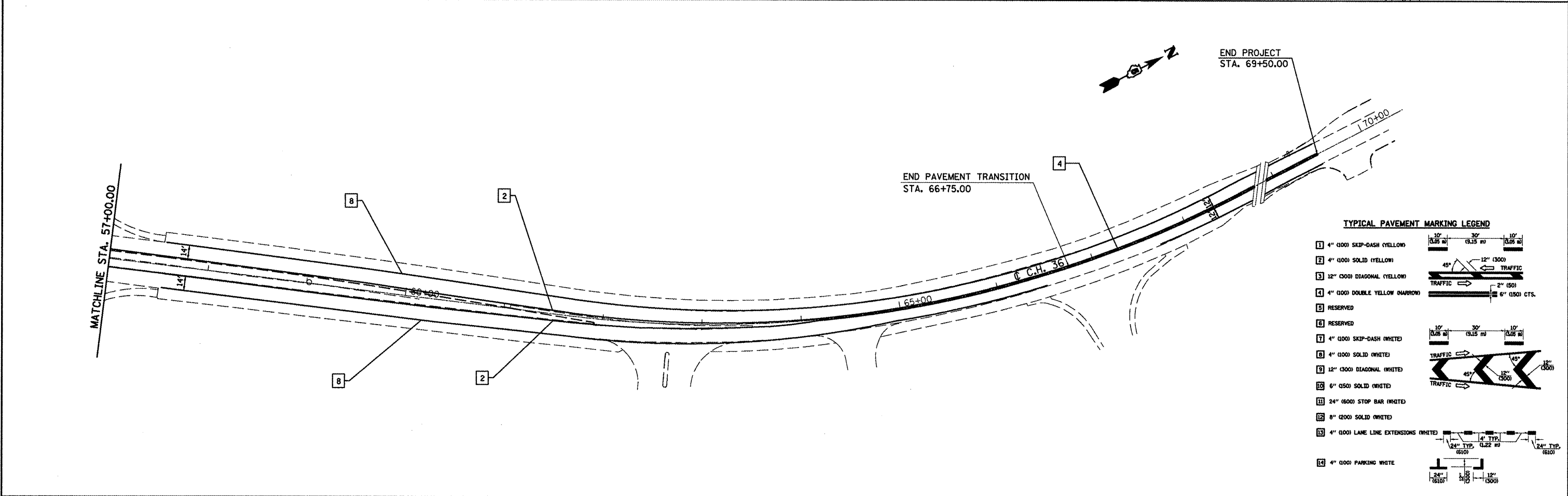
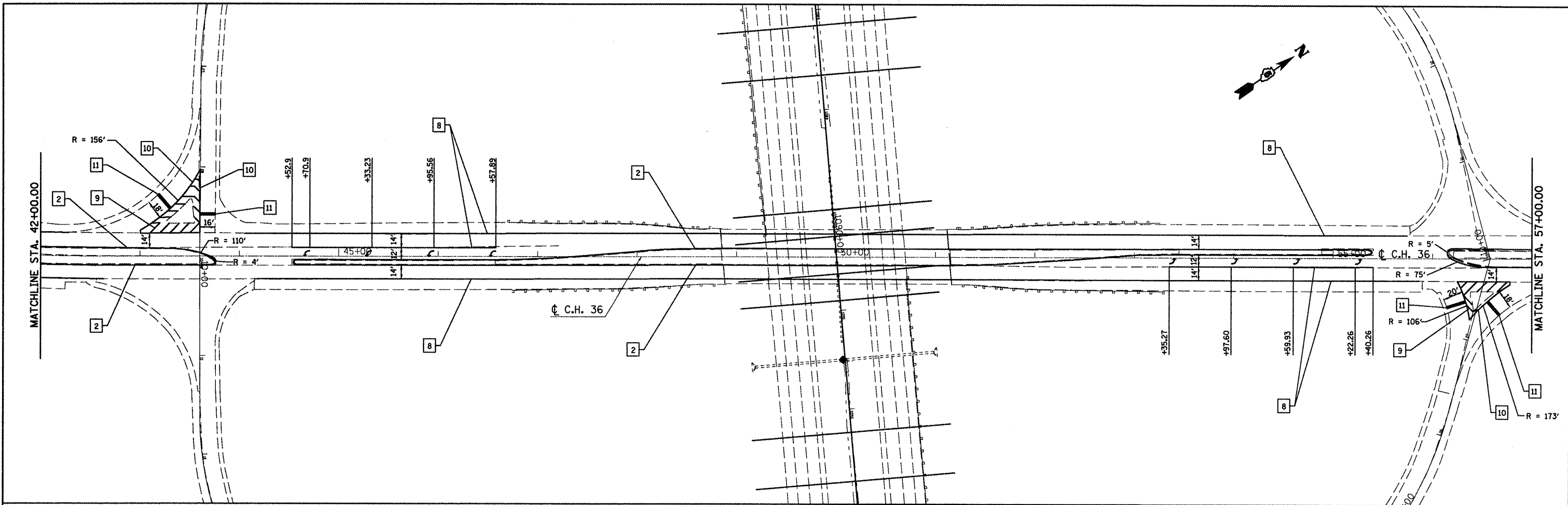
REVISED -  
 REVISED -  
 REVISED -  
 REVISED -

**STATE OF ILLINOIS  
 DEPARTMENT OF TRANSPORTATION**

**PAVEMENT MARKING SHEETS /C.H. 36**

SCALE: 1" = 50'    SHEET NO. 1 OF 2 SHEETS    STA. 16+92.44 TO STA. 28+25.00

F.A.I. RTE.	SECTION	COUNTY	TOTAL SHEETS	SHEET NO.
74	(57-2011),21,22 RS-3	MCLEAN	150	74
CONTRACT NO. 70550				
ILLINOIS FED. AID PROJECT				



**TYPICAL PAVEMENT MARKING LEGEND**

1	4" (100) SKIP-DASH (YELLOW)	
2	4" (100) SOLID (YELLOW)	
3	12" (300) DIAGONAL (YELLOW)	
4	4" (100) DOUBLE YELLOW (NARROW)	
5	RESERVED	
6	RESERVED	
7	4" (100) SKIP-DASH (WHITE)	
8	4" (100) SOLID (WHITE)	
9	12" (300) DIAGONAL (WHITE)	
10	6" (150) SOLID (WHITE)	
11	24" (600) STOP BAR (WHITE)	
12	8" (200) SOLID (WHITE)	
13	4" (100) LANE LINE EXTENSIONS (WHITE)	
14	4" (100) PARKING (WHITE)	

FILE NAME =	USER NAME = hoganbj	DESIGNED -	REVISED -
c:\pwwork\pwwork\hoganbj\d0158340\DS70550-aht-CH36.pmk.dgn		DRAWN -	REVISED -
PLOT SCALE = 100.0000' / IN.		CHECKED -	REVISED -
PLOT DATE = 10/21/2010		DATE -	REVISED -

**STATE OF ILLINOIS  
DEPARTMENT OF TRANSPORTATION**

**PAVEMENT MARKING SHEETS /C.H. 36**

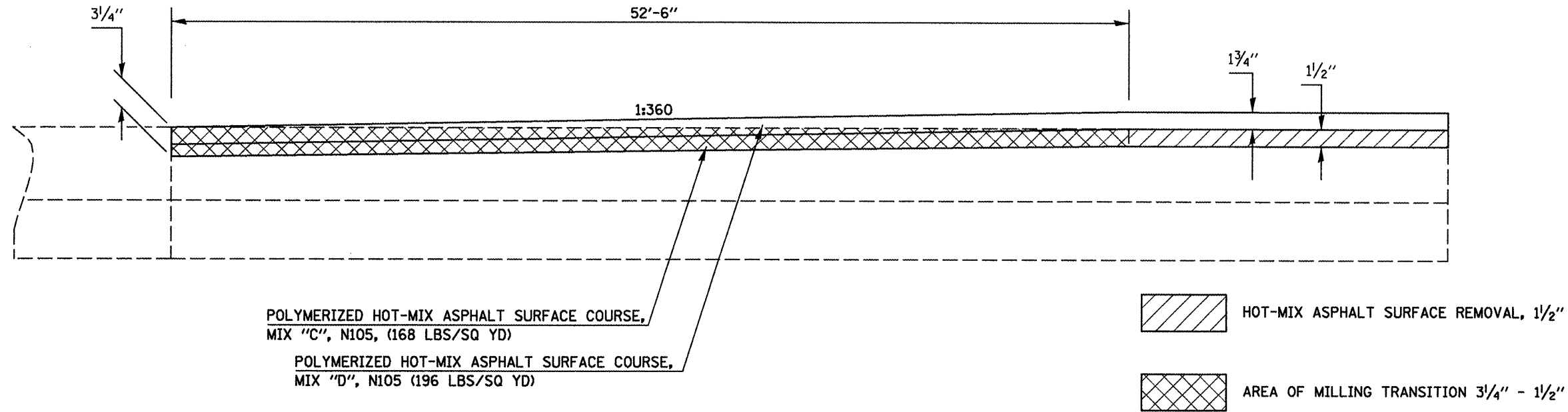
SCALE: 1" = 50'    SHEET NO. 2 OF 2 SHEETS    STA. 42+00.00 TO STA. 69+50.00

F.A.I. RTE.	SECTION	COUNTY	TOTAL SHEETS	SHEET NO.
74	(57-201),21,22IRS-3	MCLEAN	150	75
CONTRACT NO. 70550			ILLINOIS FED. AID PROJECT	

## DETAIL FOR I-74 MILLING AND PAVING TRANSITIONS AT 1 1/2" MILLING LOCATIONS

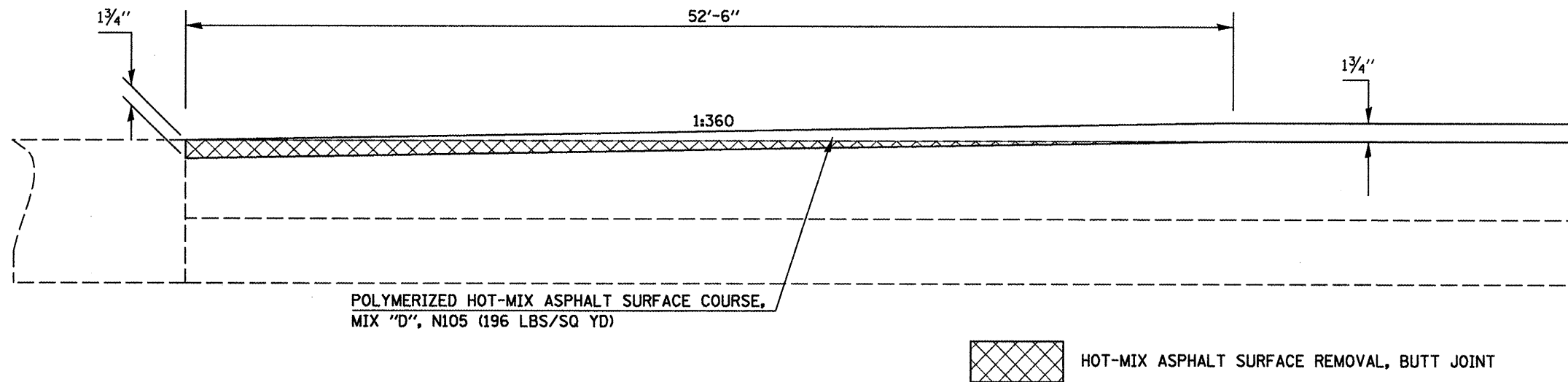
NOTE: AREA OF MILLING TRANSITION SHALL BE INCLUDED IN THE CONTRACT UNIT PRICE FOR THE VARIOUS PAY ITEMS FOR HOT-MIX ASPHALT SURFACE REMOVAL OF THE DEPTH SPECIFIED AND NO ADDITIONAL COMPENSATION SHALL BE ALLOWED.

	STATION	TO	STATION	
I-74 WBPL & EBPL	737+00.00		737+52.50	BEGINNING OF I-74 PROJECT
I-74 WBPL & EBPL	778+85.97		779+38.47	DEPARTURE S.N. 057-0121 (WB) & APPROACH S.N. 057-0120 (EB)
I-74 EBPL	1040+25.25		1040+77.75	DEPARTURE S.N. 057-0125
I-74 EBPL	1110+47.50		1111+00.00	END OF I-74 PROJECT



## DETAIL FOR I-74 MILLING AND PAVING TRANSITIONS AT VARIABLE DEPTH (PROFILE MILL) LOCATIONS

	STATION	TO	STATION	
I-74 WBPL	781+58.39		782+10.89	APPROACH S.N. 057-0121
I-74 WBPL	828+59.25		829+11.75	DEPARTURE PCC PATCH UNDER S.N. 057-0122
I-74 WBPL	837+66.33		838+18.83	APPROACH PCC PATCH UNDER S.N. 057-0122
I-74 WBPL	1037+21.75		1037+74.25	DEPARTURE S.N. 057-0126
I-74 WBPL	1040+25.75		1040+78.25	APPROACH S.N. 057-0126
I-74 WBPL	1110+47.50		1111+00.00	END OF I-74 PROJECT



SHEET 1 OF 10

FILE NAME *	USER NAME = hogenbj	DESIGNED - BJH	REVISED -
c:\pwork\pwork\hogenbj\0515834\0570550-shd-details.dgn		DRAWN - BJH 8/30/2010	REVISED -
PLOT SCALE = 48.0000' / IN.		CHECKED -	REVISED -
PLOT DATE = 10/21/2010		DATE -	REVISED -

**STATE OF ILLINOIS  
DEPARTMENT OF TRANSPORTATION**

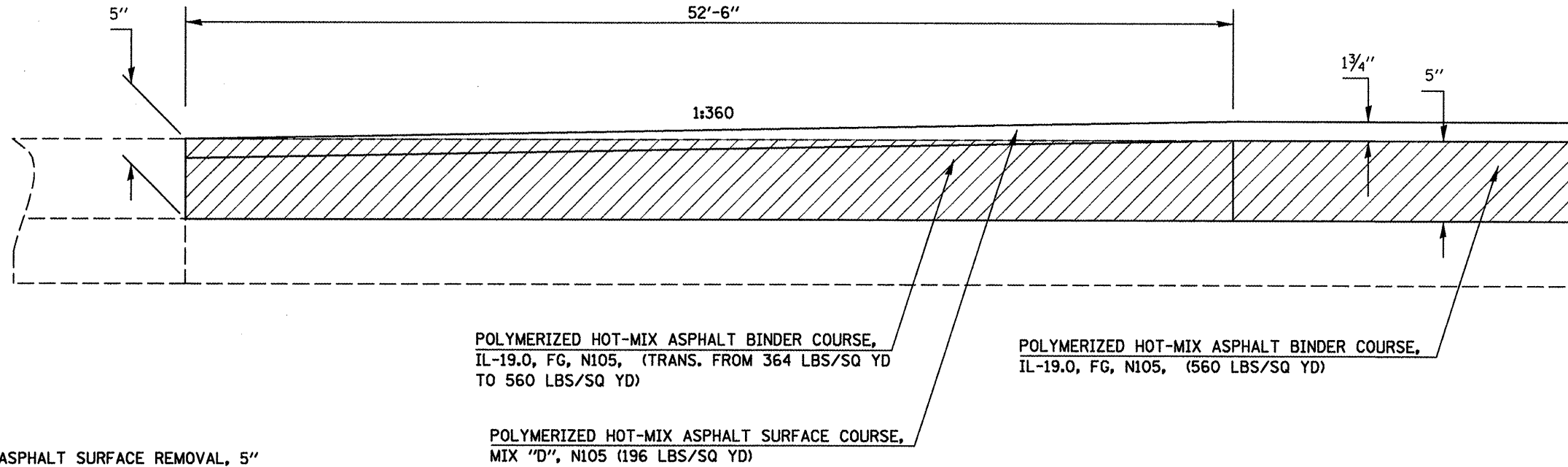
**MILLING AND PAVING TRANSITION DETAILS**

F.A.I. RTE.	SECTION	COUNTY	TOTAL SHEETS	SHEET NO.
74	(57-2011), 21, 22, IR5-3	McLean	150	76
CONTRACT NO. 70550			ILLINOIS FED. AID PROJECT	

SCALE: SHEET NO. 1 OF 10 SHEETS STA. TO STA.

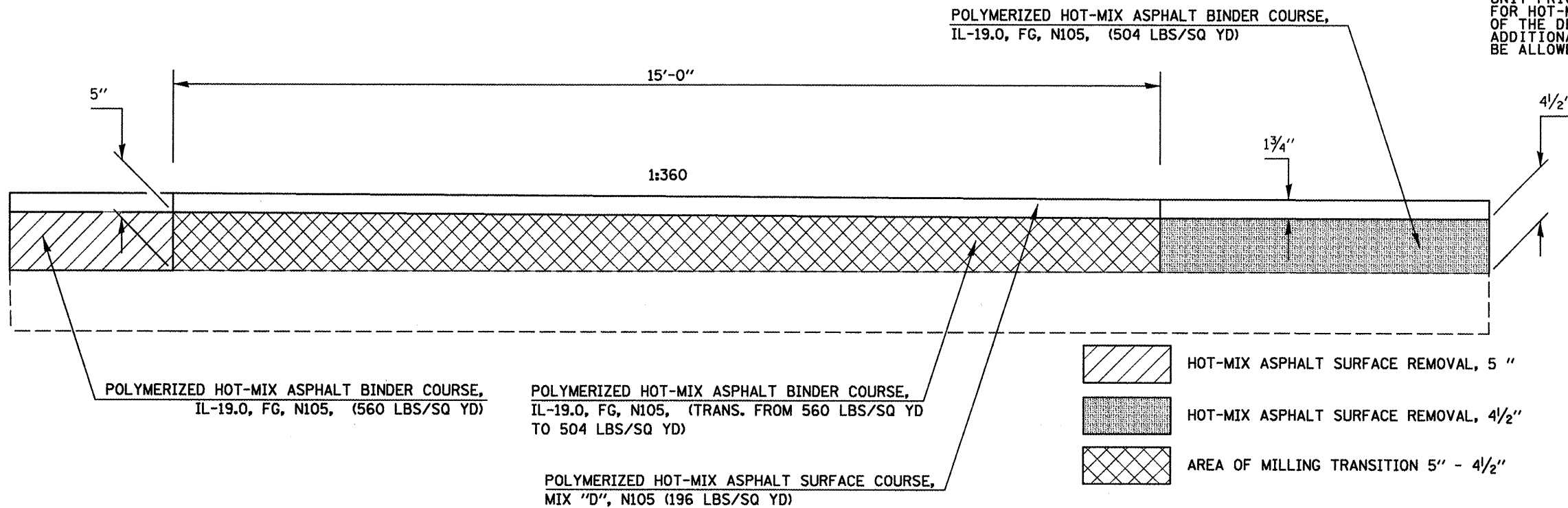
## DETAIL FOR I-74 MILLING AND PAVING TRANSITIONS AT 5" MILLING LOCATION

I-74 WBDL    STATION    TO    STATION  
 737+00.00    737+52.50    BEGINING OF I-74 PROJECT



## DETAIL FOR I-74 MILLING AND PAVING TRANSITIONS AT 5" TO 4 1/2" TRANSITION LOCATION

I-74 WBDL    STATION    TO    STATION  
 771+92.50    772+07.50    EXISTING PAVEMENT THICKNESS TRANSITION LOCATION



NOTE: AREA OF MILLING TRANSITION SHALL BE INCLUDED IN THE CONTRACT UNIT PRICE FOR THE VARIOUS PAY ITEMS FOR HOT-MIX ASPHALT SURFACE REMOVAL OF THE DEPTH SPECIFIED AND NO ADDITIONAL COMPENSATION SHALL BE ALLOWED.

SHEET 2 OF 10

FILE NAME =	USER NAME = hogenbj	DESIGNED - BJH	REVISED -
ca:\pw_work\pwsdot\hogenbj\d0158348\057058-shr-detail1.dgn		DRAWN - BJH 8/30/2010	REVISED -
PLOT SCALE = 40,0000 ' / IN.		CHECKED -	REVISED -
PLOT DATE = 10/21/2010		DATE -	REVISED -

**STATE OF ILLINOIS  
 DEPARTMENT OF TRANSPORTATION**

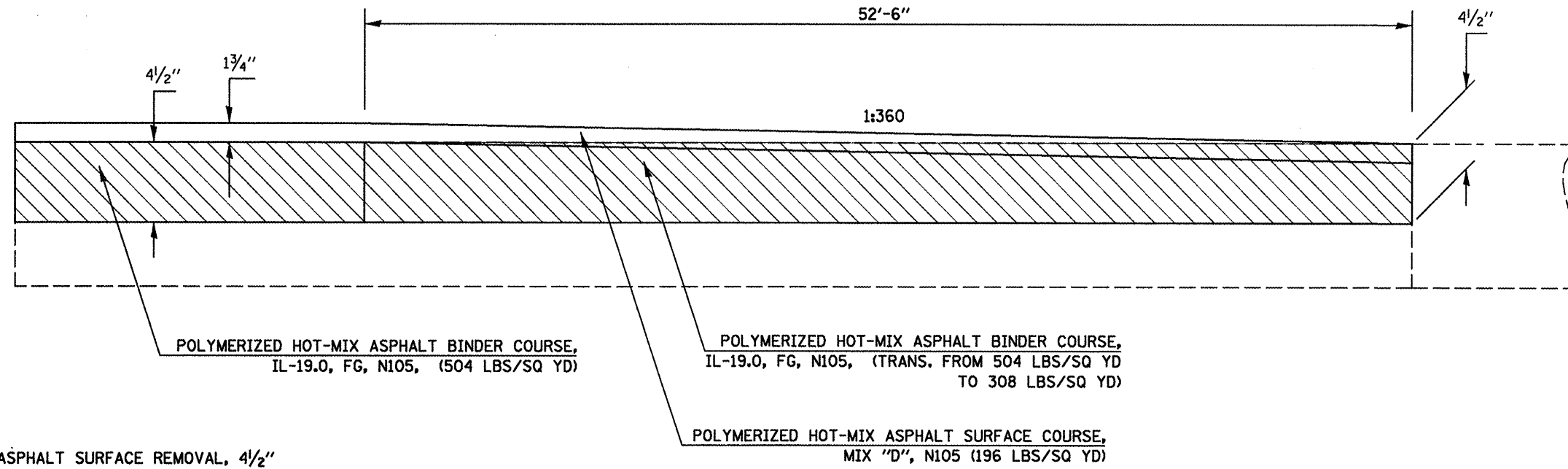
**MILLING AND PAVING TRANSITION DETAILS**

F.A.I. RTE.	SECTION	COUNTY	TOTAL SHEETS	SHEET NO.
74	(57-2011),21,22IR5-3	McLean	150	77
CONTRACT NO. 70550				
ILLINOIS FED. AID PROJECT				

SCALE: SHEET NO. 2 OF 10 SHEETS STA. TO STA.

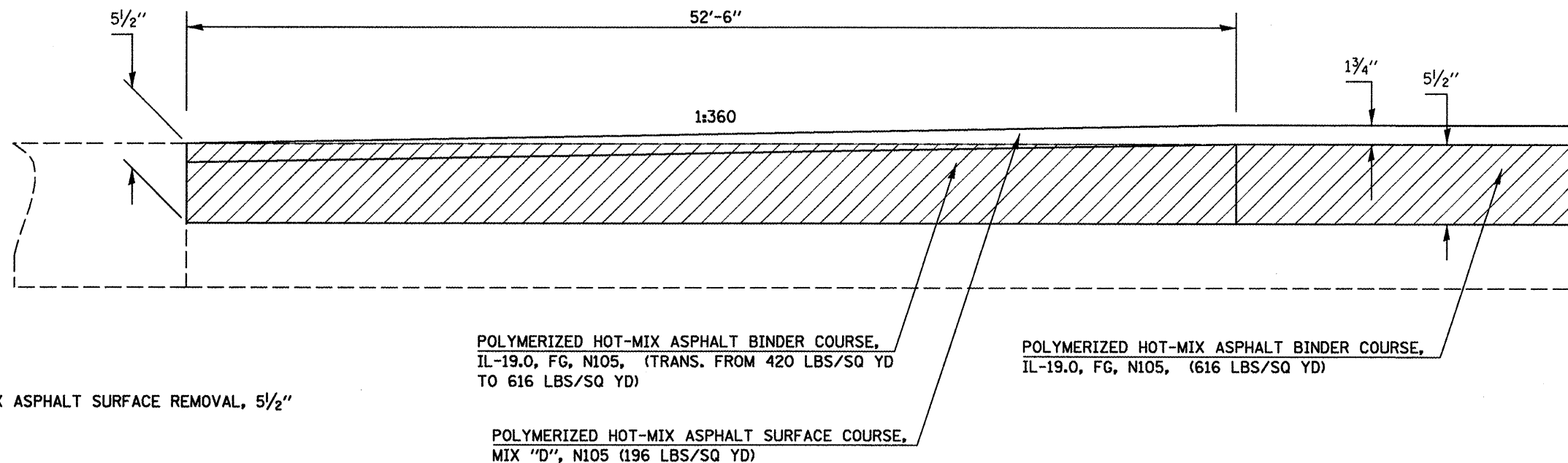
## DETAIL FOR I-74 MILLING AND PAVING TRANSITIONS AT 4 1/2" MILLING LOCATION

STATION TO STATION  
 I-74 WBDL 778+85.97 779+38.47 DEPARTURE S.N. 057-0121



## DETAIL FOR I-74 MILLING AND PAVING TRANSITIONS AT 5 1/2" MILLING LOCATIONS

	STATION	TO	STATION	
I-74 WBDL	781+58.39		782+10.89	APPROACH S.N. 057-0121
I-74 WBDL	828+59.25		829+11.75	DEPARTURE PCC PATCH UNDER S.N. 057-0122
I-74 WBDL	837+66.33		838+18.83	APPROACH PCC PATCH UNDER S.N. 057-0122
I-74 WBDL	1037+21.75		1037+74.25	DEPARTURE S.N. 057-0126
I-74 WBDL	1040+25.75		1040+78.25	APPROACH S.N. 057-0126
I-74 WBDL	1110+47.50		1111+00.00	END OF I-74 PROJECT

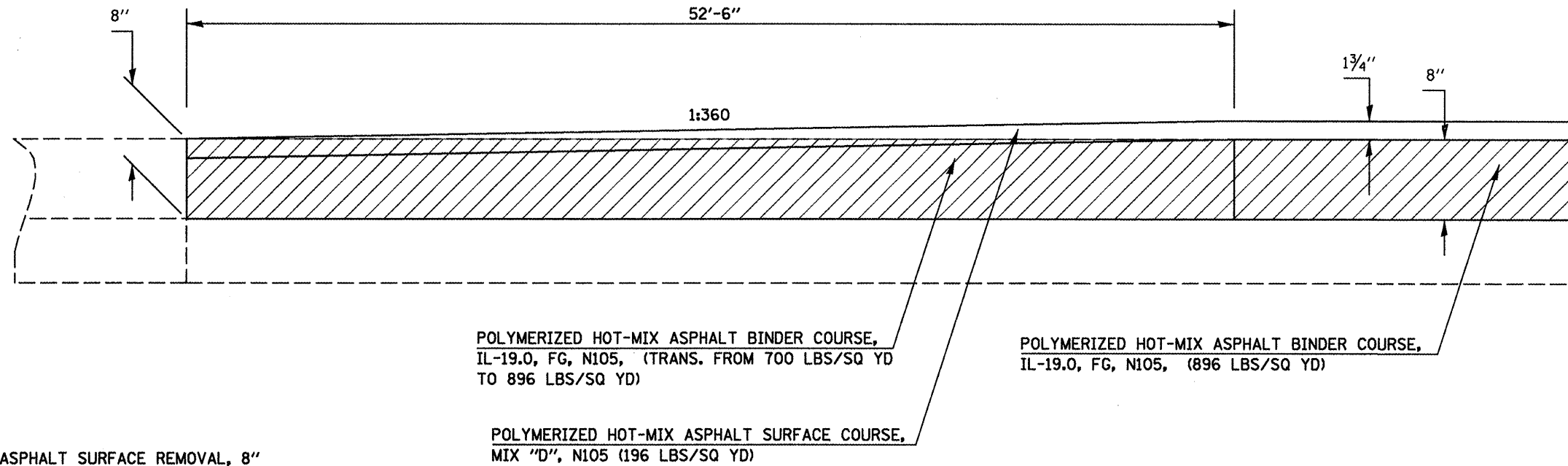


SHEET 3 OF 10

FILE NAME =	USER NAME = hoganbj	DESIGNED - BJH	REVISED -	<b>STATE OF ILLINOIS DEPARTMENT OF TRANSPORTATION</b>	<b>MILLING AND PAVING TRANSITION DETAILS</b>	F.A.I. RTE.	SECTION	COUNTY	TOTAL SHEETS	SHEET NO.	
		DRAWN - BJH 8/30/2010	REVISED -			74	(57-20(1),21,22)RS-3	McLean	150	78	
	PLOT SCALE = 40.0000' / IN.	CHECKED -	REVISED -			SCALE: SHEET NO. 3 OF 10 SHEETS STA. TO STA.		CONTRACT NO. 70550			
	PLOT DATE = 10/21/2010	DATE -	REVISED -			ILLINOIS FED. AID PROJECT					

## DETAIL FOR I-74 MILLING AND PAVING TRANSITIONS AT 8" MILLING LOCATIONS

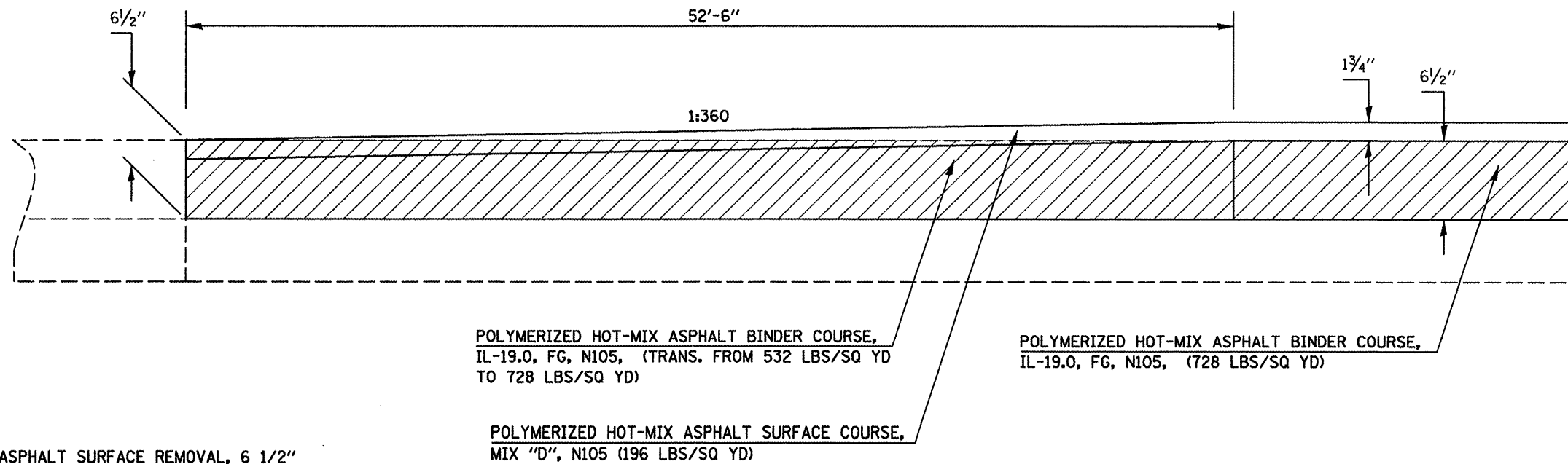
	<u>STATION</u>	<u>TO</u>	<u>STATION</u>	
I-74 EBDL	737+00.00		737+52.50	BEGINNING OF I-74 PROJECT
I-74 EBDL	778+85.97		779+38.47	APPROACH S.N. 057-0120



HOT-MIX ASPHALT SURFACE REMOVAL, 8"

## DETAIL FOR I-74 MILLING AND PAVING TRANSITIONS AT 6 1/2" MILLING LOCATIONS

	<u>STATION</u>	<u>TO</u>	<u>STATION</u>	
I-74 EBDL	1040+25.25		1040+77.75	DEPARTURE S.N. 057-0125
I-74 EBDL	1110+47.50		1111+00.00	END OF I-74 PROJECT



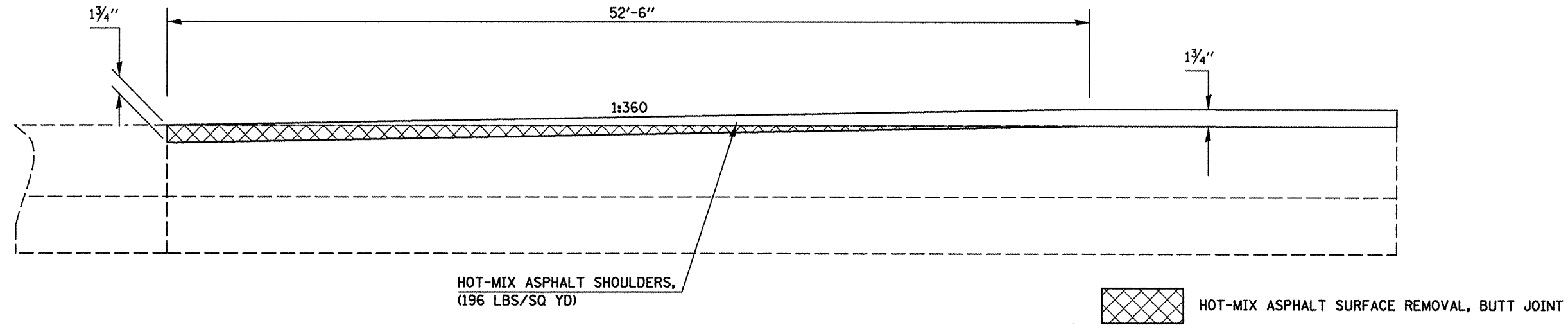
HOT-MIX ASPHALT SURFACE REMOVAL, 6 1/2"

SHEET 4 OF 10

FILE NAME =	USER NAME = hogenbj	DESIGNED - BJH	REVISED -	<b>STATE OF ILLINOIS DEPARTMENT OF TRANSPORTATION</b>	<b>MILLING AND PAVING TRANSITION DETAILS</b>	F.A.I. RTE.	SECTION	COUNTY	TOTAL SHEETS	SHEET NO.	
en:\pwork\pwork\hogenbj\0156340\0570550-sht-detail.dgn	DRAWN - BJH 8/30/2010	CHECKED -	REVISED -			74	(57-2011)21,22IR5-3	McLean	150	79	
PLOT SCALE = 40.0000' / IN.	DATE -	REVISED -	REVISED -			CONTRACT NO. 70550		ILLINOIS FED. AID PROJECT			
PLOT DATE = 10/21/2010	DATE -	REVISED -	REVISED -			SCALE:	SHEET NO. 4 OF 10 SHEETS	STA.	TO STA.		

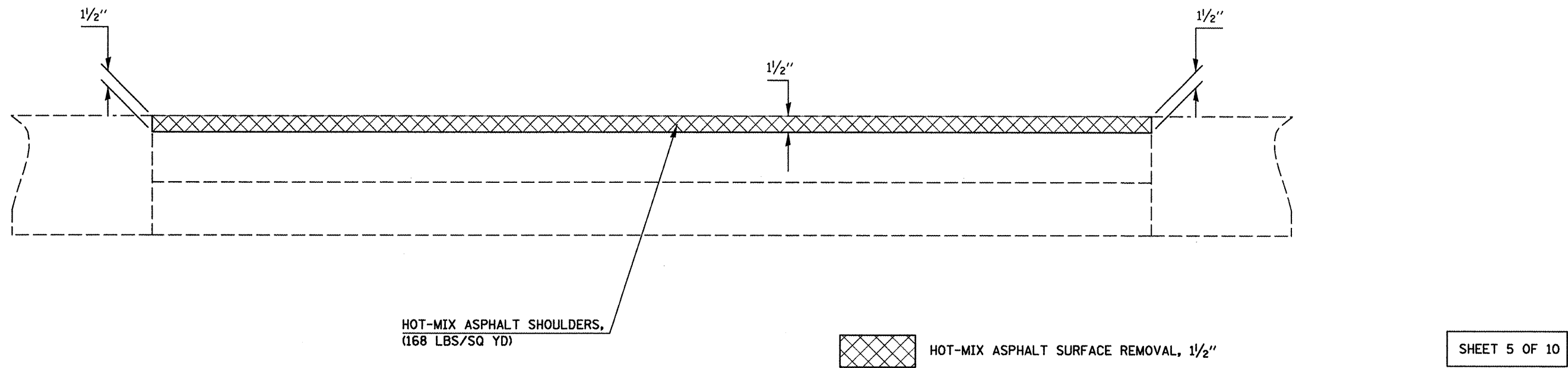
## DETAIL FOR I-74 SHOULDERS MILLING AND PAVING TRANSITIONS AT OVERLAY LOCATIONS

	STATION	TO	STATION	
I-74 WBDS, WBPS, EBPS & EBDS	737+00.00		737+52.50	BEGINNING OF I-74 PROJECT
I-74 WBPS, EBPS, WBDS, & EBDS	778+85.97		779+38.47	DEPARTURE S.N. 057-0121 (WB) & APPROACH S.N. 057-0120 (EB)
I-74 WBPS & WBDS	781+58.39		782+10.89	APPROACH S.N. 057-0121
I-74 WBPS & WBDS	828+59.25		829+11.75	DEPARTURE PCC PATCH UNDER S.N. 057-0122
I-74 WBPS & WBDS	837+66.33		838+18.83	APPROACH PCC PATCH UNDER S.N. 057-0122
I-74 WBPS & WBDS	1037+21.75		1037+74.25	DEPARTURE S.N. 057-0126
I-74 WBPS, EBPS, WBDS, & EBDS	1040+25.25		1040+77.75	APPROACH S.N. 057-0126 (WB) & DEPARTURE S.N. 057-0125 (EB)
I-74 WBPS, EBPS, WBDS, & EBDS	1110+47.50		1111+00.00	END OF I-74 PROJECT



## DETAIL FOR I-74 SHOULDERS MILLING AND PAVING AT INLAY LOCATIONS (1 1/2" MILL AND FILL)

	STATION	TO	STATION	
I-74 EBDS & EBPS	781+58.39		1037+74.25	THROUGH THE INLAY SECTION COMPLETED IN 2009
I-74 WBDS & WBPS	829+11.75		837+66.33	THROUGH THE PCC PATCH SECTION UNDER S.N. 057-0122

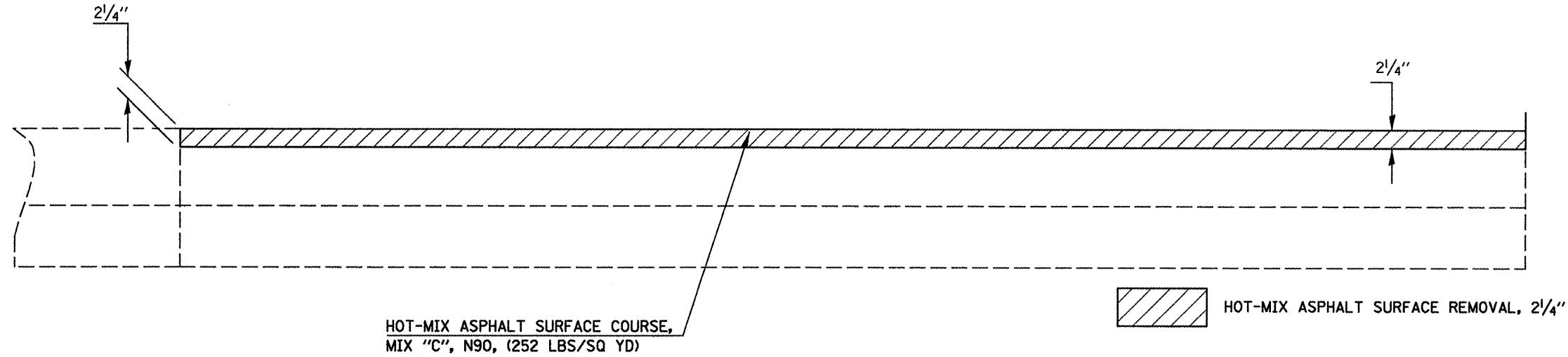


FILE NAME =	USER NAME = hoganbj	DESIGNED - BJH	REVISED -	<b>STATE OF ILLINOIS DEPARTMENT OF TRANSPORTATION</b>	<b>MILLING AND PAVING TRANSITION DETAILS</b>	F.A.I. RTE.	SECTION	COUNTY	TOTAL SHEETS	SHEET NO.	
	02\pwwork\pwwork\hoganbj\d0158340\0570550-shd-detailed.dgn	DRAWN - BJH 8/30/2010	REVISED -			74	(57-2011),21,22IRS-3	McLean	150	80	
	PLOT SCALE = 40.0000' / IN.	CHECKED -	REVISED -			CONTRACT NO. 70550		ILLINOIS FED. AID PROJECT			
	PLOT DATE = 10/21/2010	DATE -	REVISED -			SCALE:	SHEET NO. 5 OF 10 SHEETS	STA.	TO STA.		



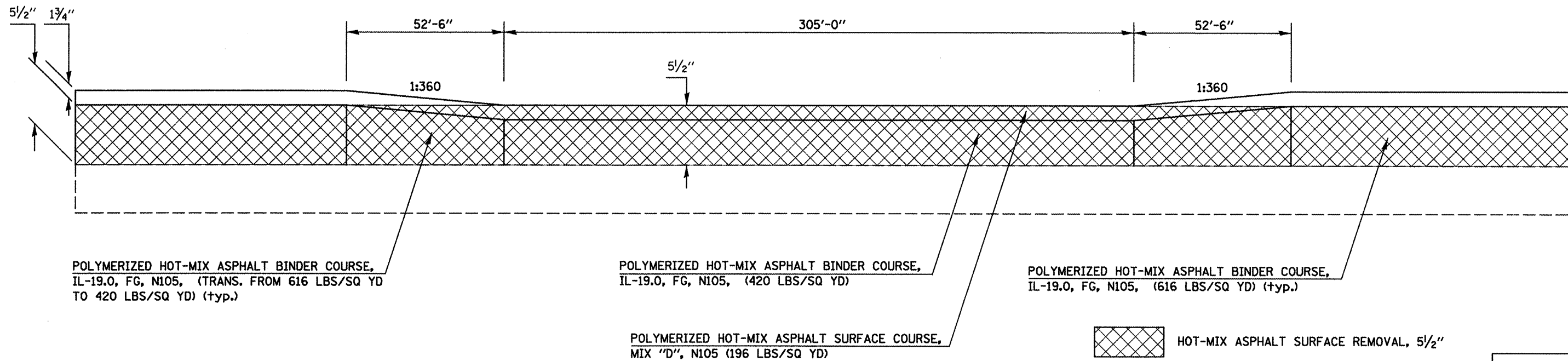
## DETAIL FOR I-74 SHOULDERS MILLING AND PAVING AT INLAY LOCATIONS (2 1/4" MILL & FILL)

	STATION	TO	STATION	
BEGINNING OF I-74 PROJECT I-74 WBPS & EBPS	737+00.00		772+00.00	
I-74 WBPS (INSIDE 4') & EBPS (INSIDE 4')	772+00.00		779+38.47	DEPARTURE S.N. 057-0121 (WB) & APPROACH S.N. 057-0120 (EB)
I-74 WBPS (INSIDE 4')	781+58.39		829+11.75	DEPARTURE PCC PATCH UNDER S.N. 057-0122
APPROACH PCC PATCH UNDER S.N. 057-0122	837+66.33		1037+74.25	DEPARTURE S.N. 057-0126
APPROACH S.N. 057-0126	1040+25.75		1116+00.00	END OF I-74 PROJECT
DEPARTURE S.N. 057-0125	1040+25.25		1116+00.00	END OF I-74 PROJECT



## DETAIL FOR I-74 MILLING AND PAVING TRANSITIONS UNDER S.N. 057-0123 & S.N. 057-0124

	STATION	TO	STATION	
I-74 WBDL	905+67.50		909+77.50	UNDER S.N. 057-0123
I-74 WBDL	1005+74.50		1009+84.50	UNDER S.N. 057-0124



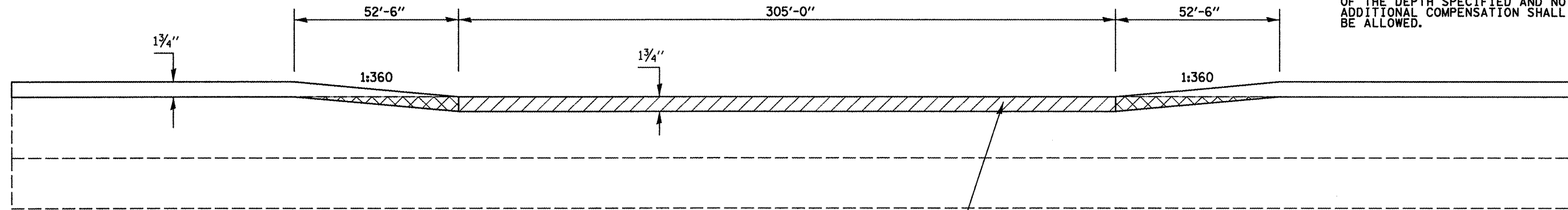
SHEET 6 OF 10

FILE NAME =	USER NAME = hogenbj	DESIGNED - BJH	REVISED -	<b>STATE OF ILLINOIS DEPARTMENT OF TRANSPORTATION</b>	<b>MILLING AND PAVING TRANSITION DETAILS</b>	F.A.I. RTE:	SECTION	COUNTY	TOTAL SHEETS	SHEET NO.	
		DRAWN - BJH 8/30/2010	REVISED -			74	(57-2041),21,22,RS-3	McLean	150	81	
	PLOT SCALE = 40.0000' / IN.	CHECKED -	REVISED -			SCALE:	SHEET NO. 6 OF 10 SHEETS	STA.	TO STA.	CONTRACT NO. T0550	
	PLOT DATE = 10/21/2010	DATE -	REVISED -			ILLINOIS FED. AID PROJECT					

## DETAIL FOR I-74 MILLING AND PAVING TRANSITIONS UNDER S.N. 057-0123 & S.N. 057-0124

	<u>STATION</u>	<u>TO</u>	<u>STATION</u>	
I-74 WBPL, WBPS, & WBDS	905+67.50		909+77.50	UNDER S.N. 057-0123
I-74 WBPL, WBPS, & WBDS	1005+74.50		1009+84.50	UNDER S.N. 057-0124

NOTE: AREA OF MILLING TRANSITION SHALL BE INCLUDED IN THE CONTRACT UNIT PRICE FOR THE VARIOUS PAY ITEMS FOR HOT-MIX ASPHALT SURFACE REMOVAL OF THE DEPTH SPECIFIED AND NO ADDITIONAL COMPENSATION SHALL BE ALLOWED.

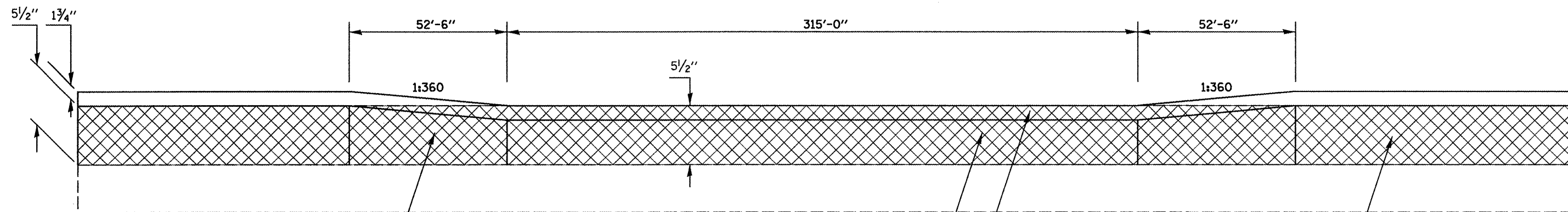


POLYMERIZED HOT-MIX ASPHALT SURFACE COURSE, MIX "D", N105 (196 LBS/SQ YD) ON MAINLINE & HOT-MIX ASPHALT SHOULDERS (196 LBS/SQ YD) ON SHOULDERS

AREA OF MILLING TRANSITION VARIABLE DEPTH (PROFILE MILL) - 1 3/4"  
 HOT-MIX ASPHALT SURFACE REMOVAL, 1 3/4"

## DETAIL FOR I-74 MILLING AND PAVING TRANSITIONS UNDER S.N. 057-0127

	<u>STATION</u>	<u>TO</u>	<u>STATION</u>	
I-74 WBDL	1088+30.00		1092+50.00	UNDER S.N. 057-0127



POLYMERIZED HOT-MIX ASPHALT BINDER COURSE, IL-19.0, FG, N105, (TRANS. FROM 616 LBS/SQ YD TO 420 LBS/SQ YD) (typ.)

POLYMERIZED HOT-MIX ASPHALT BINDER COURSE, IL-19.0, FG, N105, (420 LBS/SQ YD)

POLYMERIZED HOT-MIX ASPHALT BINDER COURSE, IL-19.0, FG, N105, (616 LBS/SQ YD) (typ.)

POLYMERIZED HOT-MIX ASPHALT SURFACE COURSE, MIX "D", N105 (196 LBS/SQ YD)

HOT-MIX ASPHALT SURFACE REMOVAL, 5 1/2"

SHEET 7 OF 10

FILE NAME =	USER NAME = hogenbj	DESIGNED - BJH	REVISED -
ca:\pwork\pwork\hogenbj\0158340\0570127\58-sht-details.dgn		DRAWN - BJH 8/30/2010	REVISED -
PLOT SCALE = 40.0000' / IN.		CHECKED -	REVISED -
PLOT DATE = 10/21/2010		DATE -	REVISED -

**STATE OF ILLINOIS  
DEPARTMENT OF TRANSPORTATION**

**MILLING AND PAVING TRANSITION DETAILS**

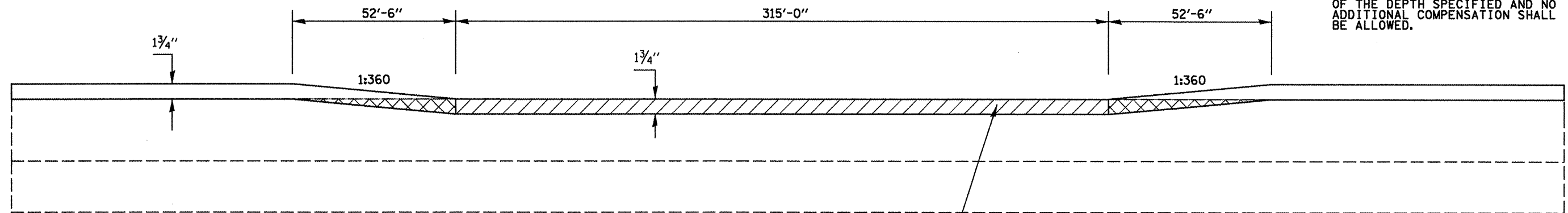
F.A.I. RTE.	SECTION	COUNTY	TOTAL SHEETS	SHEET NO.
74	(57-2011), 21, 22, IRS-3	McLean	150	82
			CONTRACT NO. 70550	
ILLINOIS FED. AID PROJECT				

SCALE: SHEET NO. 7 OF 10 SHEETS STA. TO STA.

## DETAIL FOR I-74 MILLING AND PAVING TRANSITIONS UNDER S.N. 057-0127

	STATION	TO	STATION	
I-74 WBPL, WBPS, & WBDS	1088+30.00		1092+50.00	UNDER S.N. 057-0127
I-74 EBPS, & EBDS	1088+37.50		1092+57.50	UNDER S.N. 057-0127

NOTE: AREA OF MILLING TRANSITION SHALL BE INCLUDED IN THE CONTRACT UNIT PRICE FOR THE VARIOUS PAY ITEMS FOR HOT-MIX ASPHALT SURFACE REMOVAL OF THE DEPTH SPECIFIED AND NO ADDITIONAL COMPENSATION SHALL BE ALLOWED.



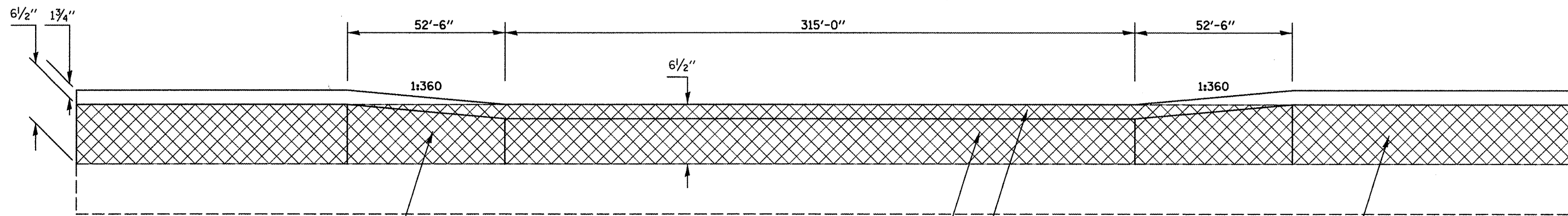
AREA OF MILLING TRANSITION VARIABLE DEPTH (PROFILE MILL) - 1 3/4"

HOT-MIX ASPHALT SURFACE REMOVAL, 1 3/4"

POLYMERIZED HOT-MIX ASPHALT SURFACE COURSE,  
MIX "D", N105 (196 LBS/SQ YD) ON MAINLINE  
& HOT-MIX ASPHALT SHOULDERS (196 LBS/SQ YD)  
ON SHOULDERS

## DETAIL FOR I-74 MILLING AND PAVING TRANSITIONS UNDER S.N. 057-0127

	STATION	TO	STATION	
I-74 EBDL	1088+37.50		1092+57.50	UNDER S.N. 057-0127



POLYMERIZED HOT-MIX ASPHALT BINDER COURSE,  
IL-19.0, FG, N105, (TRANS. FROM 728 LBS/SQ YD  
TO 532 LBS/SQ YD) (typ.)

POLYMERIZED HOT-MIX ASPHALT BINDER COURSE,  
IL-19.0, FG, N105, (532 LBS/SQ YD)

POLYMERIZED HOT-MIX ASPHALT BINDER COURSE,  
IL-19.0, FG, N105, (728 LBS/SQ YD) (typ.)

POLYMERIZED HOT-MIX ASPHALT SURFACE COURSE,  
MIX "D", N105 (196 LBS/SQ YD)

HOT-MIX ASPHALT SURFACE REMOVAL, 6 1/2"

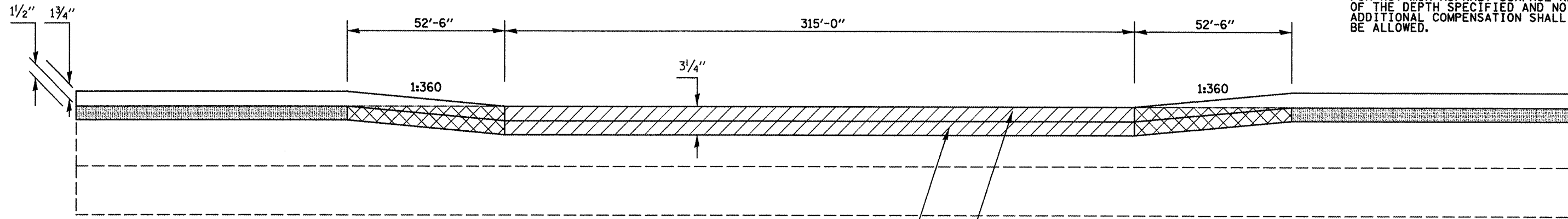
SHEET 8 OF 10

FILE NAME =	USER NAME = hogenbj	DESIGNED - BJH	REVISED -	<b>STATE OF ILLINOIS DEPARTMENT OF TRANSPORTATION</b>	<b>MILLING AND PAVING TRANSITION DETAILS</b>	F.A.I. RTE.	SECTION	COUNTY	TOTAL SHEETS	SHEET NO.	
cd:\pwwork\psidot\hogenbj\d0158340\0570550-sht-details.dgn	DESIGNED - BJH 8/31/2010	REVISED -	REVISED -			74	(57-2011)21.22IRS-3	McLean	150	83	
PLOT SCALE = 48.0000' / IN.	CHECKED -	REVISED -	REVISED -			CONTRACT NO. 70550		ILLINOIS FED. AID PROJECT			
PLOT DATE = 10/21/2010	DATE -	REVISED -	REVISED -			SCALE:	SHEET NO. 8 OF 10 SHEETS	STA.	TO STA.		

## DETAIL FOR I-74 MILLING AND PAVING TRANSITIONS UNDER S.N. 057-0127

STATION      TO      STATION  
 I-74 EBPL 1088+37.50      1092+57.50      UNDER S.N. 057-0127

NOTE: AREA OF MILLING TRANSITION SHALL BE INCLUDED IN THE CONTRACT UNIT PRICE FOR THE VARIOUS PAY ITEMS FOR HOT-MIX ASPHALT SURFACE REMOVAL OF THE DEPTH SPECIFIED AND NO ADDITIONAL COMPENSATION SHALL BE ALLOWED.



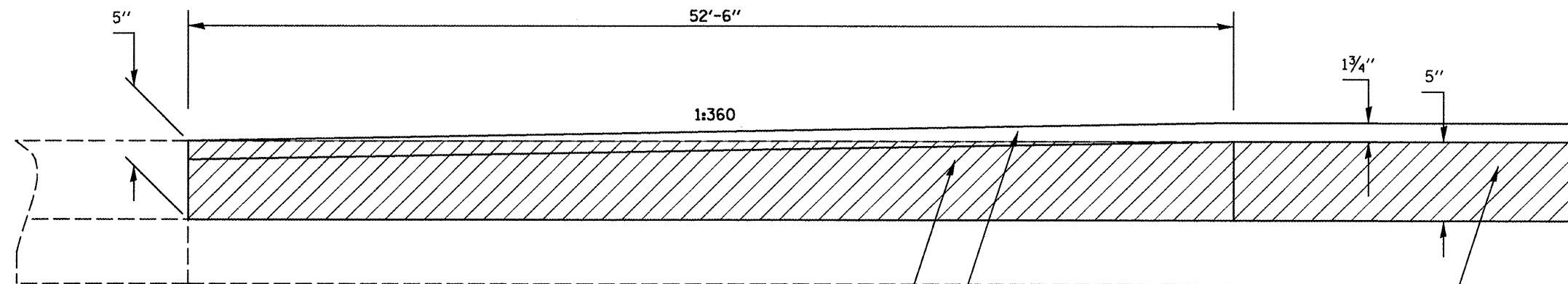
POLYMERIZED HOT-MIX ASPHALT SURFACE COURSE, MIX "C", N105 (168 LBS/SQ YD)

POLYMERIZED HOT-MIX ASPHALT SURFACE COURSE, MIX "D", N105, (196 LBS/SQ YD)

- HOT-MIX ASPHALT SURFACE REMOVAL, 1/2"
- AREA OF MILLING TRANSITION 1/2" - 3/4"
- HOT-MIX ASPHALT SURFACE REMOVAL, 3/4"

## DETAIL FOR DOWNS INTERCHANGE MILLING AND PAVING TRANSITIONS AT 5" MILLING LOCATIONS

STATION      TO      STATION  
 RAMP CB (I-74 EB OFF RAMP) 28+11.48      28+63.98      END OF RAMP AT C.H. 36  
 RAMP DA (I-74 WB OFF RAMP) 27+07.99      27+60.49      END OF RAMP AT C.H. 36



POLYMERIZED HOT-MIX ASPHALT BINDER COURSE, IL-19.0, FG, N105, (TRANS. FROM 364 LBS/SQ YD TO 560 LBS/SQ YD)

POLYMERIZED HOT-MIX ASPHALT BINDER COURSE, IL-19.0, FG, N105, (560 LBS/SQ YD)

POLYMERIZED HOT-MIX ASPHALT SURFACE COURSE, MIX "D", N105 (196 LBS/SQ YD)

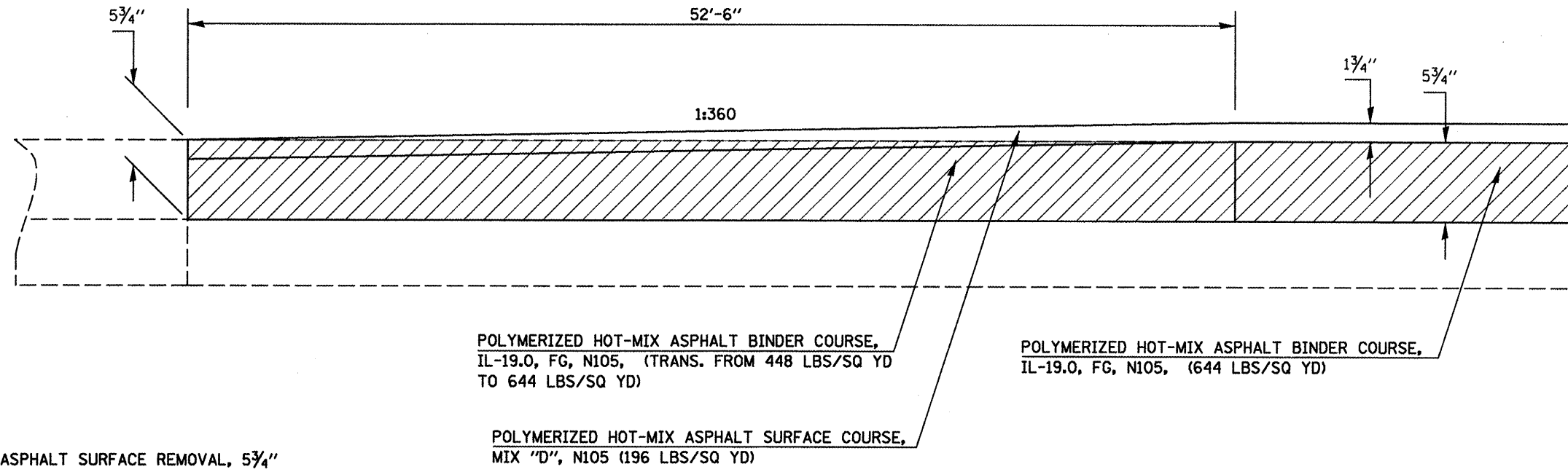
HOT-MIX ASPHALT SURFACE REMOVAL, 5"

SHEET 9 OF 10

FILE NAME =	USER NAME = hoganbj	DESIGNED - BJH	REVISED -	<b>STATE OF ILLINOIS DEPARTMENT OF TRANSPORTATION</b>	<b>MILLING AND PAVING TRANSITION DETAILS</b>	F.A.I. RTE.	SECTION	COUNTY	TOTAL SHEETS	SHEET NO.	
		DRAWN - BJH 8/31/2010	REVISED -			74	(57-20(1),21,22)RS-3	McLean	150	84	
	PLOT SCALE = 40.0000' / IN.	CHECKED -	REVISED -			CONTRACT NO. 70550		ILLINOIS FED. AID PROJECT			
	PLOT DATE = 10/21/2010	DATE -	REVISED -			SCALE:	SHEET NO. 9 OF 10 SHEETS	STA.	TO STA.		

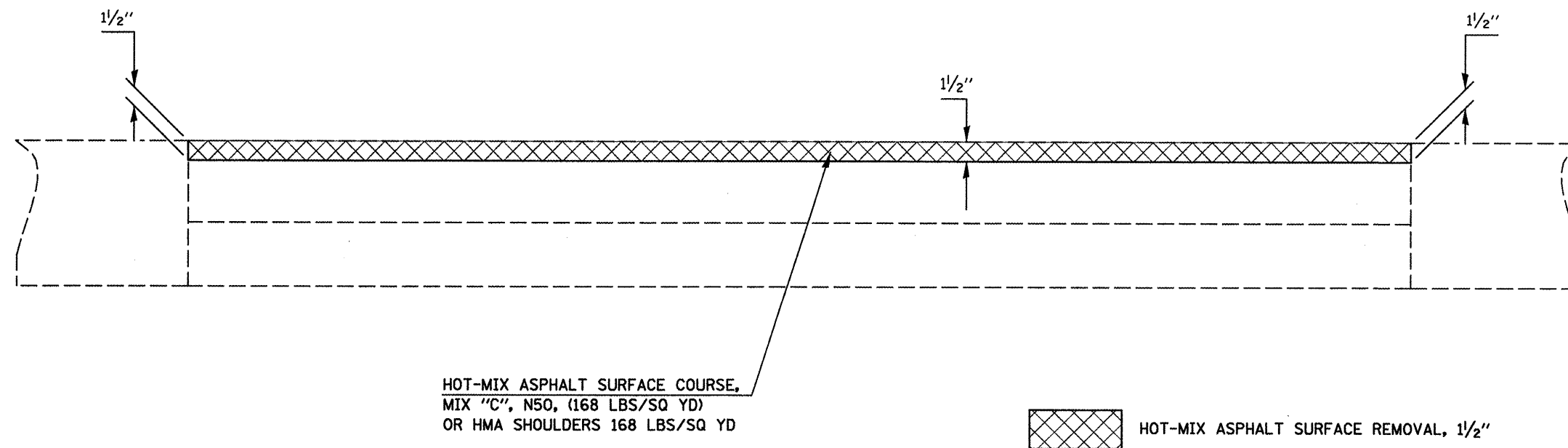
## DETAIL FOR DOWNS INTERCHANGE MILLING AND PAVING TRANSITIONS AT 5 3/4" MILLING LOCATIONS

	STATION	TO	STATION	
RAMP BD (I-74 EB ON RAMP)	10+24.00		10+76.50	BEGINNING OF RAMP AT C.H. 36
RAMP AC (I-74 WB ON RAMP)	10+24.00		10+76.50	BEGINNING OF RAMP AT C.H. 36



## DETAIL FOR C.H. 36 MILLING AND PAVING AT INLAY LOCATIONS (1 1/2" MILL AND FILL)

	STATION	TO	STATION
C.H. 36	16+92.44		69+50.00



SHEET 10 OF 10

FILE NAME =	USER NAME = hogenbj	DESIGNED - BJH	REVISED -
c:\pwwork\pwwork\hogenbj\d0158340\057059-shtr-detail.dgn	DRAWN - BJH 8/31/2010	CHECKED -	REVISED -
PLOT SCALE = 48.0000' / IN.	DATE -	REVIS	REVISED -
PLOT DATE = 10/21/2010			

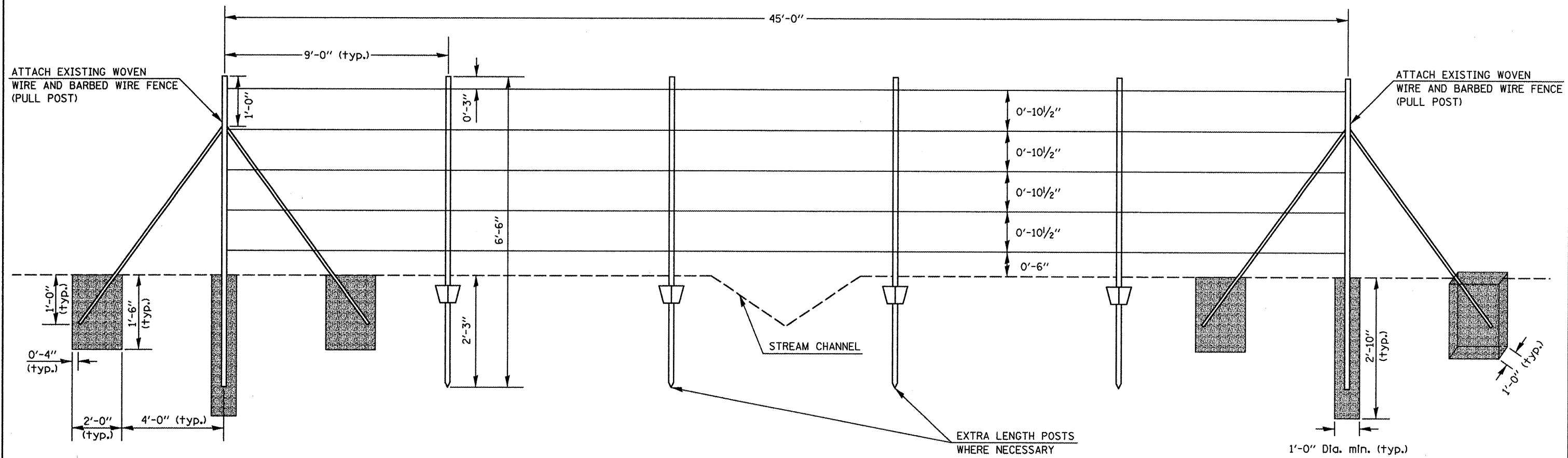
**STATE OF ILLINOIS  
DEPARTMENT OF TRANSPORTATION**

**MILLING AND PAVING TRANSITION DETAILS**

SCALE: SHEET NO. 10 OF 10 SHEETS STA. TO STA.

F.A.I. RTE.	SECTION	COUNTY	TOTAL SHEETS	SHEET NO.
74	(57-2011), 21, 22 IRS-3	McLean	150	85
CONTRACT NO. 70550				
ILLINOIS FED. AID PROJECT				

# BARBED WIRE FENCE, 5 STRAND DETAIL



NOTES: BARBED WIRES SHALL BE TIED TO EACH POST. BARBED WIRES SHALL BE FASTENED TO THE PULL POSTS BY WRAPPING THE WIRES AROUND THE POST AND TYING BACK ON INSELF WITH NOT LESS THAN 3 TWISTS TIGHTLY WRAPPED.

SEE STANDARD 665001 FOR LIST OF MATERIALS AND ARTICLE 1006.27 AND 1006.28 OF THE STANDARD SPECIFICATIONS FOR MATERIALS REQUIREMENTS.

PORTLAND CEMENT CONCRETE

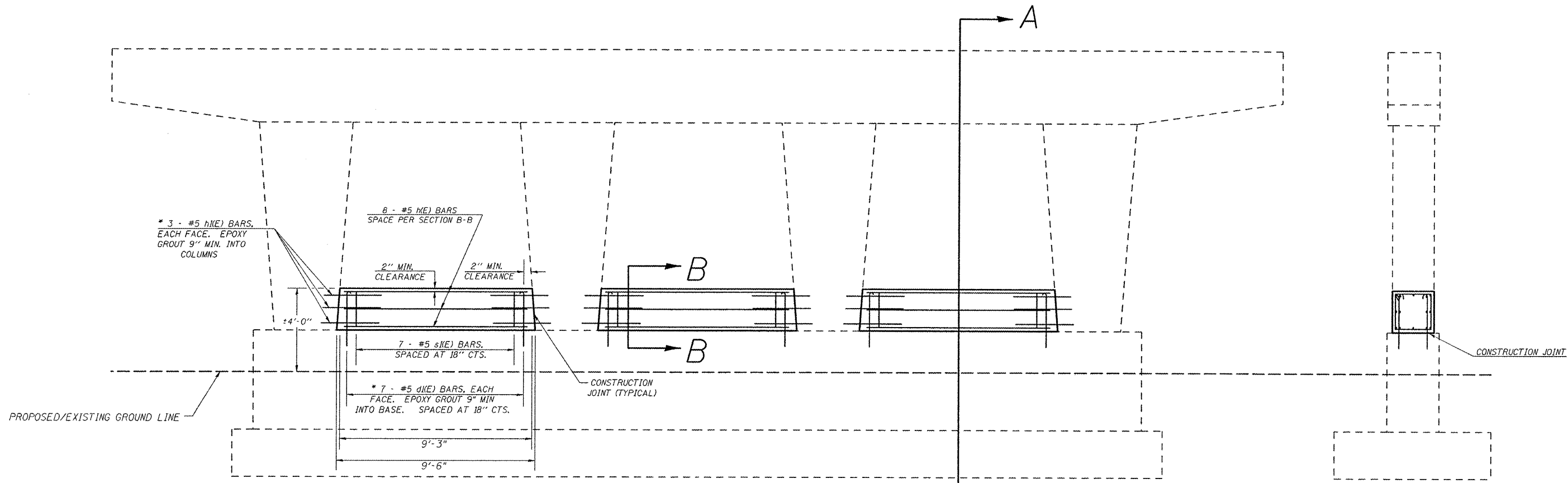
FILE NAME =	USER NAME = hogenbj	DESIGNED -	REVISED -
c:\pwwork\pwwork\hogenbj\d0158340\0570550-shr-detail.dgn		DRAWN -	REVISED -
PLOT SCALE = 48.0000 / IN.		CHECKED -	REVISED -
PLOT DATE = 10/21/2010		DATE -	REVISED -

**STATE OF ILLINOIS  
DEPARTMENT OF TRANSPORTATION**

<b>BARBED WIRE FENCE, 5 STRAND DETAIL</b>				
SCALE:	SHEET NO.	OF SHEETS	STA.	TO STA.

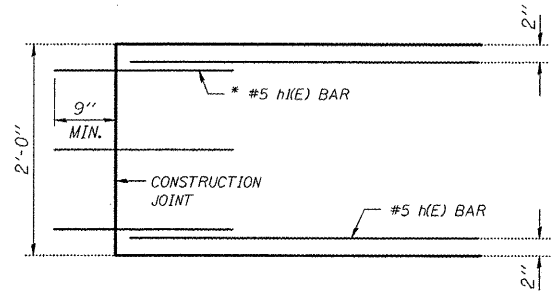
F.A.I. RTE.	SECTION	COUNTY	TOTAL SHEETS	SHEET NO.
74	(57-20(1),21,22)RS-3	McLean	150	86
CONTRACT NO. 70550				
ILLINOIS FED. AID PROJECT				

# S.N. 057-0127 SOUTH PIER (PIER #1) CRASHWALL EXTENSION

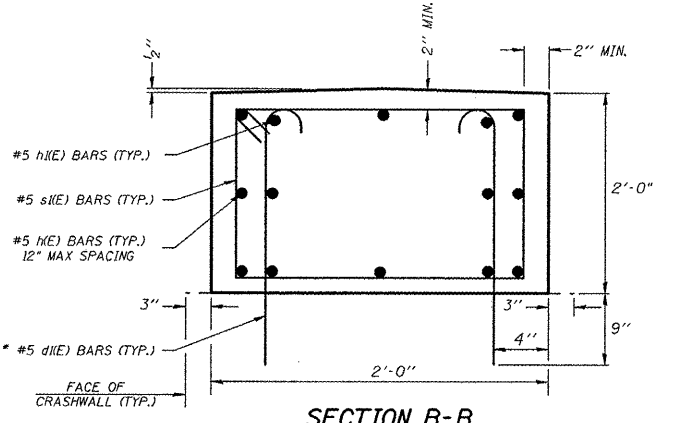


**SECTION A-A**

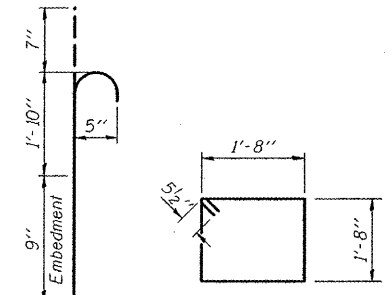
\* EPOXY GROUT BARS IN 9" MIN. HOLES ACCORDING TO ARTICLE 584 OF THE STANDARD SPECIFICATIONS.



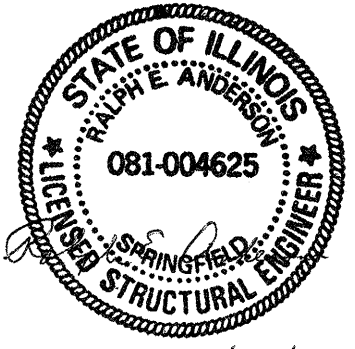
**ELEVATION AT COLUMN**



**SECTION B-B**



**BAR d1(E)**      **BAR s1(E)**



Expires 11/30/2012

**GENERAL NOTES**

PLAN DIMENSIONS AND DETAILS RELATIVE TO EXISTING PLANS ARE SUBJECT TO ROUTINE VARIATIONS. THE CONTRACTOR SHALL FIELD VERIFY EXISTING DIMENSIONS AND DETAILS AFFECTING NEW CONSTRUCTION AND MAKE NECESSARY APPROVED ADJUSTMENTS PRIOR TO CONSTRUCTION OR ORDERING OF MATERIALS. SUCH VARIATIONS SHALL NOT BE CAUSE FOR ADDITIONAL COMPENSATION FOR A CHANGE IN SCOPE OF THE WORK, HOWEVER, THE CONTRACTOR WILL BE PAID FOR THE QUANTITY ACTUALLY FURNISHED BASED UPON THE UNIT PRICE BID FOR THE WORK.

THE COST OF EPOXY GROUTING BARS SHALL BE INCLUDED WITH REINFORCEMENT BARS (EPOXY COATED).

REINFORCEMENT BARS SHALL CONFORM TO THE REQUIREMENTS OF ASTM A706 OR GR 60. SEE SPECIAL PROVISIONS.

REINFORCEMENT BARS DESIGNATED (E) SHALL BE EPOXY COATED.

**BILL OF MATERIALS**

BAR	SHAPE	NO.	SIZE	LENGTH
d1(E)		42	#5	3'-2"
h(E)		24	#5	8'-11"
h1(E)		36	#5	2'-9"
s1(E)		21	#5	7'-7"
CONCRETE STRUCTURES	CU. YDS.	4.2		
REINFORCEMENT BARS, EPOXY COATED	LBS.	632		

FILE NAME *	USER NAME * hoganbj	DESIGNED - BJH	REVISED - BJH 9/24/2010
at:\pw\work\p\w\d\hoganbj\d015834\057050-sht-details.dgn		DRAWN - BJH 9/2/2010	REVISED -
PLOT SCALE = 40.0000" / IN.		CHECKED -	REVISED -
PLOT DATE = 10/21/2010		DATE -	REVISED -

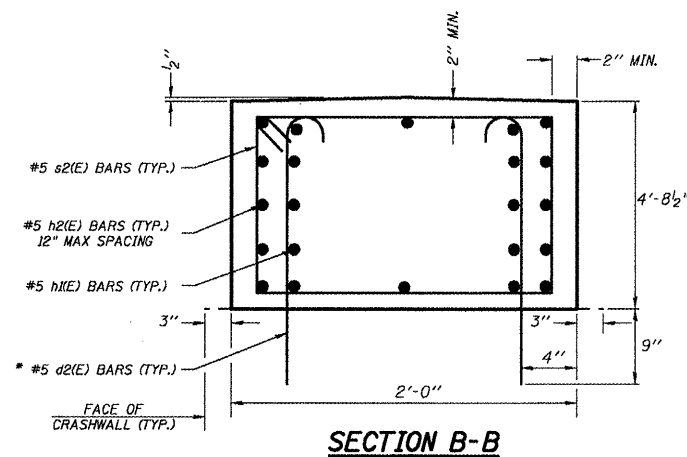
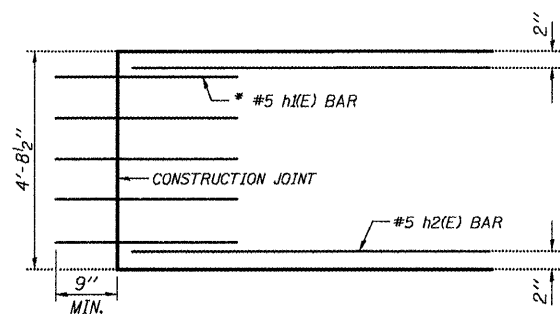
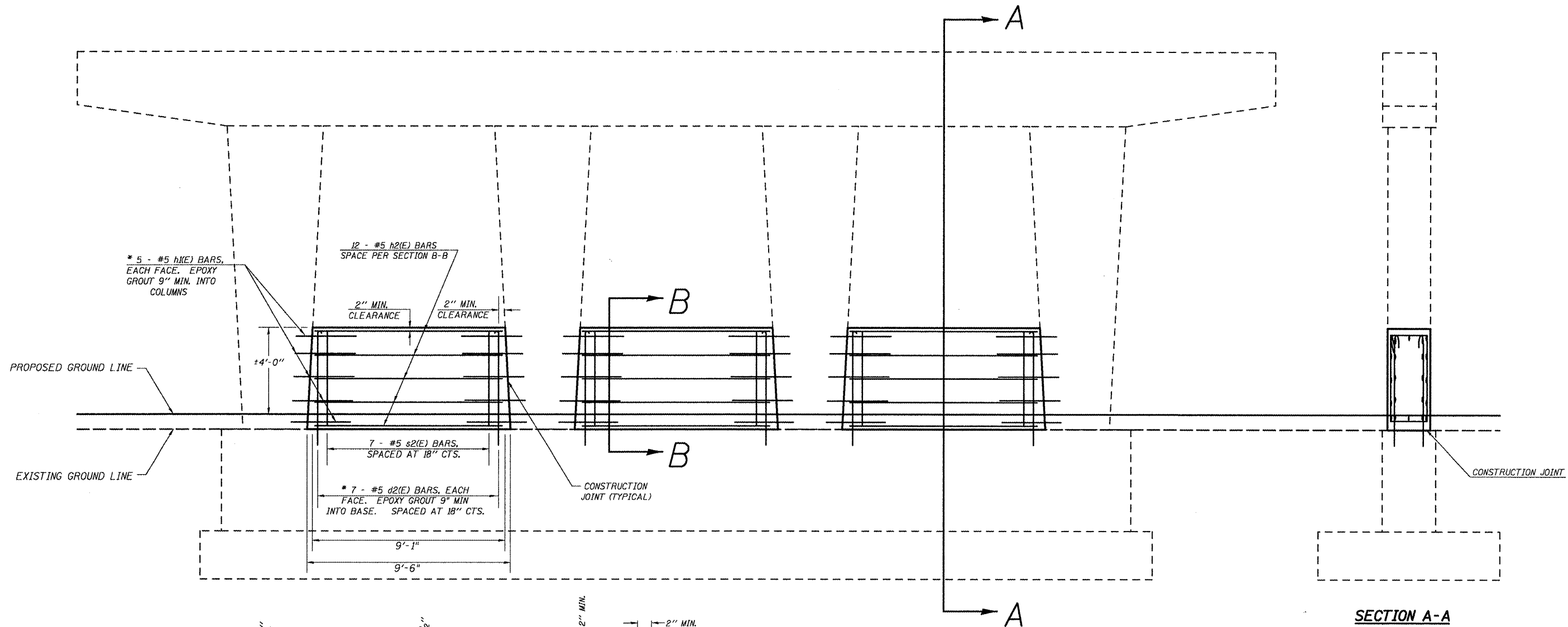
**STATE OF ILLINOIS  
DEPARTMENT OF TRANSPORTATION**

**S.N. 057-0127 SOUTH PIER (PIER #1) CRASHWALL EXTENSION**

SCALE:      SHEET NO. 1 OF 3 SHEETS      STA.      TO STA.

F.A.I. RTE.	SECTION	COUNTY	TOTAL SHEETS	SHEET NO.
74	(57-20(1),21,22)RS-3	McLean	150	87
CONTRACT NO. 70550			ILLINOIS FED. AID PROJECT	

# S.N. 057-0127 MEDIAN PIER (PIER #2) CRASHWALL EXTENSION



\* EPOXY GROUT BARS IN 9" MIN. HOLES ACCORDING TO ARTICLE 584 OF THE STANDARD SPECIFICATIONS.

## GENERAL NOTES

PLAN DIMENSIONS AND DETAILS RELATIVE TO EXISTING PLANS ARE SUBJECT TO ROUTINE VARIATIONS. THE CONTRACTOR SHALL FIELD VERIFY EXISTING DIMENSIONS AND DETAILS AFFECTING NEW CONSTRUCTION AND MAKE NECESSARY APPROVED ADJUSTMENTS PRIOR TO CONSTRUCTION OR ORDERING OF MATERIALS. SUCH VARIATIONS SHALL NOT BE CAUSE FOR ADDITIONAL COMPENSATION FOR A CHANGE IN SCOPE OF THE WORK, HOWEVER, THE CONTRACTOR WILL BE PAID FOR THE QUANTITY ACTUALLY FURNISHED BASED UPON THE UNIT PRICE BID FOR THE WORK.

THE COST OF EPOXY GROUTING BARS SHALL BE INCLUDED WITH REINFORCEMENT BARS (EPOXY COATED).

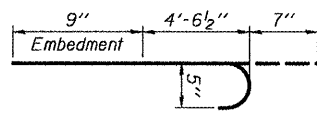
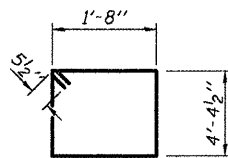
REINFORCEMENT BARS SHALL CONFORM TO THE REQUIREMENTS OF ASTM A706 OR GR 60. SEE SPECIAL PROVISIONS.

REINFORCEMENT BARS DESIGNATED (E) SHALL BE EPOXY COATED.

SECTION A-A

## BILL OF MATERIALS

BAR	SHAPE	NO.	SIZE	LENGTH
d2(E)		42	#5	5'-10 1/2"
h2(E)		36	#5	8'-9"
h1(E)		60	#5	2'-9"
s2(E)		21	#5	13'-0"
CONCRETE STRUCTURES	CU. YDS.	9.7		
REINFORCEMENT BARS, EPOXY COATED	LBS.	1043		



FILE NAME =	USER NAME = hogenbj	DESIGNED - BJH	REVISED - BJH 9/24/2010
at:\pw_work\pwsdot\hogenbj\d015834\0\057058-shr-deta1.s.dgn		DRAWN - BJH 9/2/2010	REVISED -
PLOT SCALE = 1/8" = 1'-0"		CHECKED -	REVISED -
PLOT DATE = 10/21/2010		DATE -	REVISED -

STATE OF ILLINOIS  
DEPARTMENT OF TRANSPORTATION

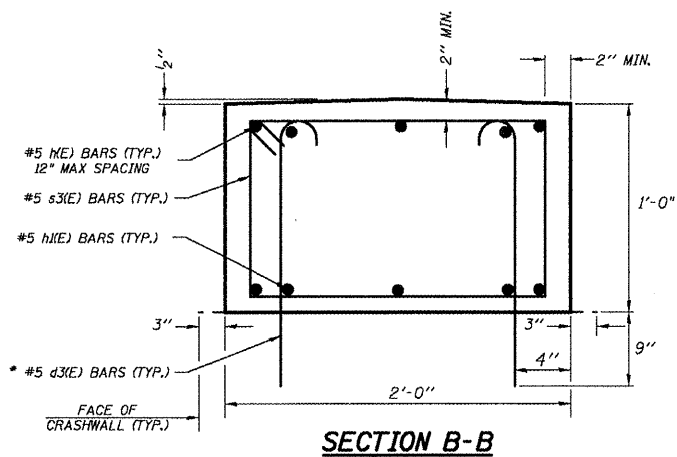
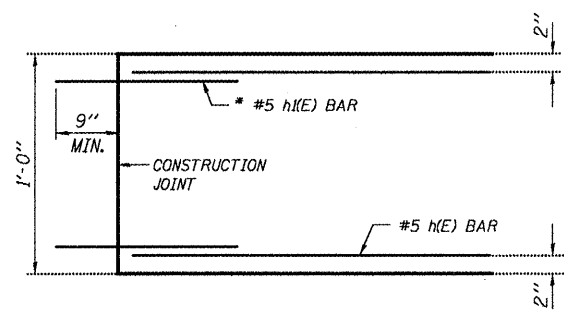
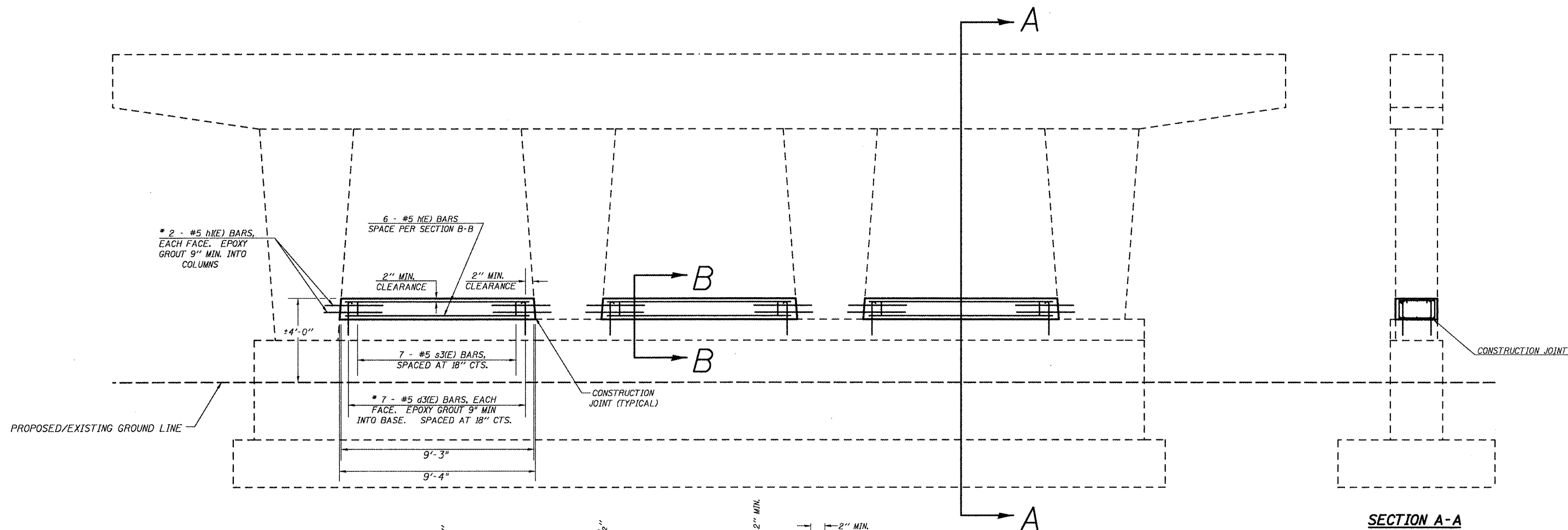
S.N. 057-0127 MEDIAN PIER (PIER #2) CRASHWALL EXTENSION

F.A.I. RTE.	SECTION	COUNTY	TOTAL SHEETS	SHEET NO.
74	(57-2011), 21, 22, IRS-3	McLean	150	88
CONTRACT NO. 70550			ILLINOIS FED. AID PROJECT	

SCALE: SHEET NO. 2 OF 3 SHEETS STA. TO STA.



# S.N. 057-0127 NORTH PIER (PIER #3) CRASHWALL EXTENSION



\* EPOXY GROUT BARS IN 9" MIN. HOLES ACCORDING TO ARTICLE 584 OF THE STANDARD SPECIFICATIONS.

BILL OF MATERIALS				
BAR	SHAPE	NO.	SIZE	LENGTH
d3(E)		42	#5	2'-2"
h(E)		18	#5	8'-11"
h1(E)		24	#5	2'-9"
s3(E)		21	#5	5'-7"
CONCRETE STRUCTURES		CU. YDS.	2.1	
REINFORCEMENT BARS, EPOXY COATED		LBS.	454	

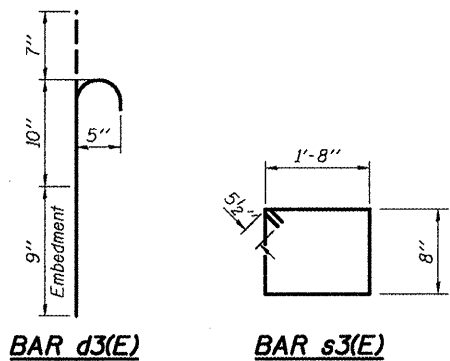
## GENERAL NOTES

PLAN DIMENSIONS AND DETAILS RELATIVE TO EXISTING PLANS ARE SUBJECT TO ROUTINE VARIATIONS. THE CONTRACTOR SHALL FIELD VERIFY EXISTING DIMENSIONS AND DETAILS AFFECTING NEW CONSTRUCTION AND MAKE NECESSARY APPROVED ADJUSTMENTS PRIOR TO CONSTRUCTION OR ORDERING OF MATERIALS. SUCH VARIATIONS SHALL NOT BE CAUSE FOR ADDITIONAL COMPENSATION FOR A CHANGE IN SCOPE OF THE WORK, HOWEVER, THE CONTRACTOR WILL BE PAID FOR THE QUANTITY ACTUALLY FURNISHED BASED UPON THE UNIT PRICE BID FOR THE WORK.

THE COST OF EPOXY GROUTING BARS SHALL BE INCLUDED WITH REINFORCEMENT BARS (EPOXY COATED).

REINFORCEMENT BARS SHALL CONFORM TO THE REQUIREMENTS OF ASTM A706 OR GR 60. SEE SPECIAL PROVISIONS.

REINFORCEMENT BARS DESIGNATED (E) SHALL BE EPOXY COATED.



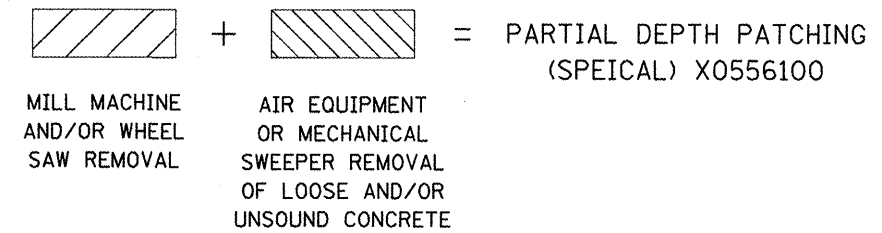
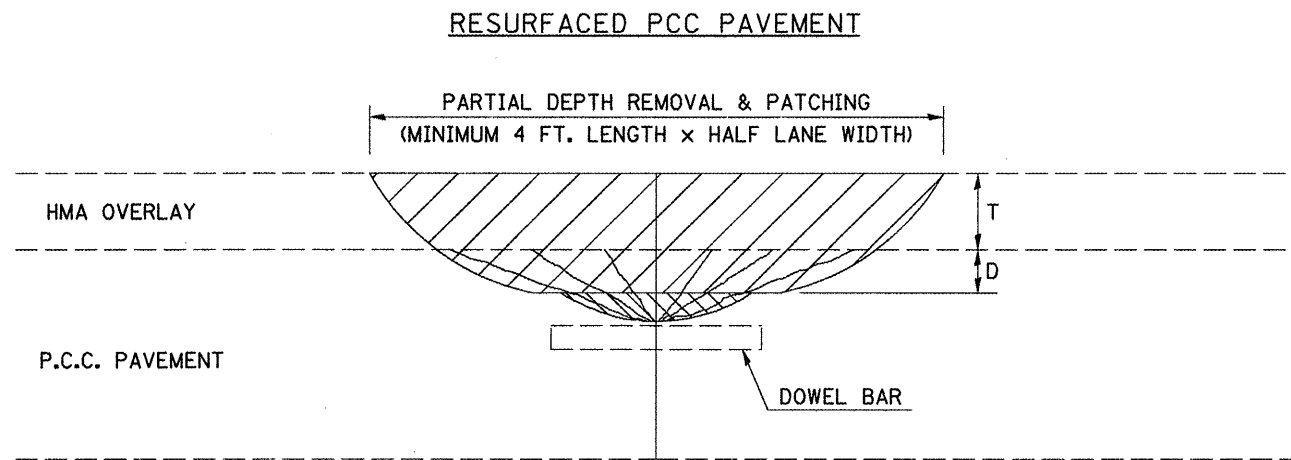
FILE NAME =	USER NAME = hogenbj	DESIGNED - BJH	REVISED - BJH 9/24/2010
ca:\pw_work\pwr\dot\hogenbj\d015834\0572050-sh-t-detail.dgn		DRAWN - BJH 9/2/2010	REVISED -
PLOT SCALE = 40.0000' / IN.		CHECKED -	REVISED -
PLOT DATE = 10/21/2010		DATE -	REVISED -

STATE OF ILLINOIS  
DEPARTMENT OF TRANSPORTATION

S.N. 057-0127 NORTH PIER (PIER #3) CRASHWALL EXTENSION

F.A.I. RTE.	SECTION	COUNTY	TOTAL SHEETS	SHEET NO.
74	(57-20(1),21,22)RS-3	McLean	150	89
CONTRACT NO.			70550	
ILLINOIS FED. AID PROJECT				

SCALE: SHEET NO. 3 OF 3 SHEETS STA. TO STA.



**DESIGN NOTES**

PARTIAL DEPTH HMA PATCHING SHALL NOT BE USED WHEN HMA OVERLAY THICKNESS (T) ON PCC PAVEMENT EXCEEDS 4 3/4 INCHES (121 mm) OR ON CRC PAVEMENT.

**GENERAL NOTES**

ALL VOLUME OF PARTIAL DEPTH REMOVAL SHALL BE REPLACED WITH HOT-MIX ASPHALT (HMA) AND WILL NOT BE PAID FOR SEPERATELY BUT WILL BE INCLUDED IN THE CONTRACT UNIT PRICE PER SQ YD FOR PARTIAL DEPTH PATCHING (SPECIAL).

T = THICKNESS OF HMA OVERLAY(S). SEE EXISTING TYPICAL CROSS SECTION.

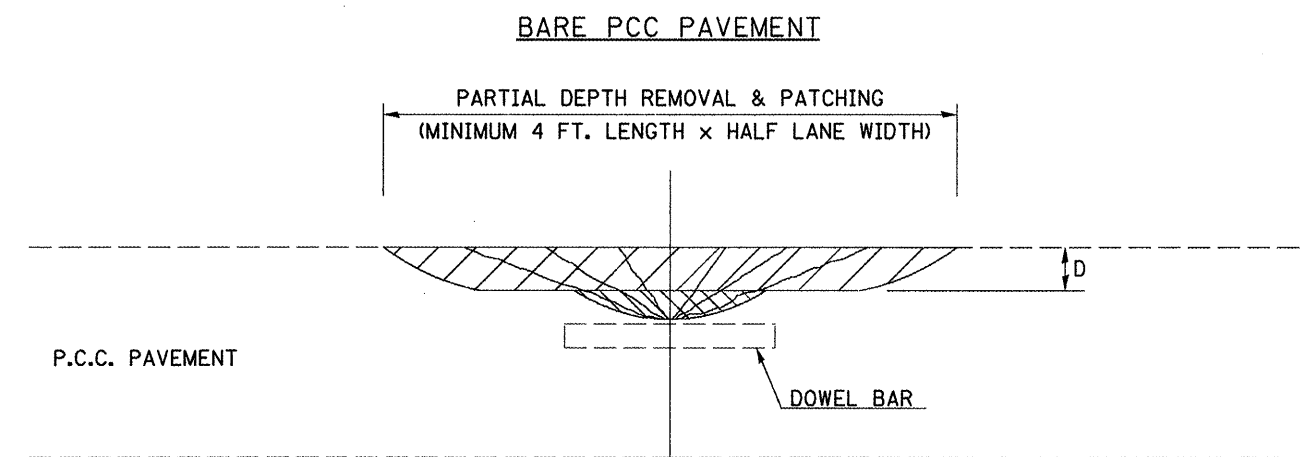
GENERAL NOTE 406H SHALL INCLUDE MIXTURE REQUIREMENTS FOR PARTIAL DEPTH PATCHING.

HMA REPLACEMENT IN RESURFACED PCC PAVEMENT LOCATIONS SHALL BE ACCORDING TO SECTION 406 OF THE STANDARD SPECIFICATIONS.

D = DEPTH OF PARTIAL DEPTH REMOVAL INTO EXISTING PCC PAVEMENT. (3" (75 mm) ± OR TO SOUND CONCRETE)

TRANSVERSE CONTRACTION JOINT SHOWN - OTHER LOCATIONS SIMILAR.

Note: All dimensions are in INCHES (millimeters) unless otherwise shown.



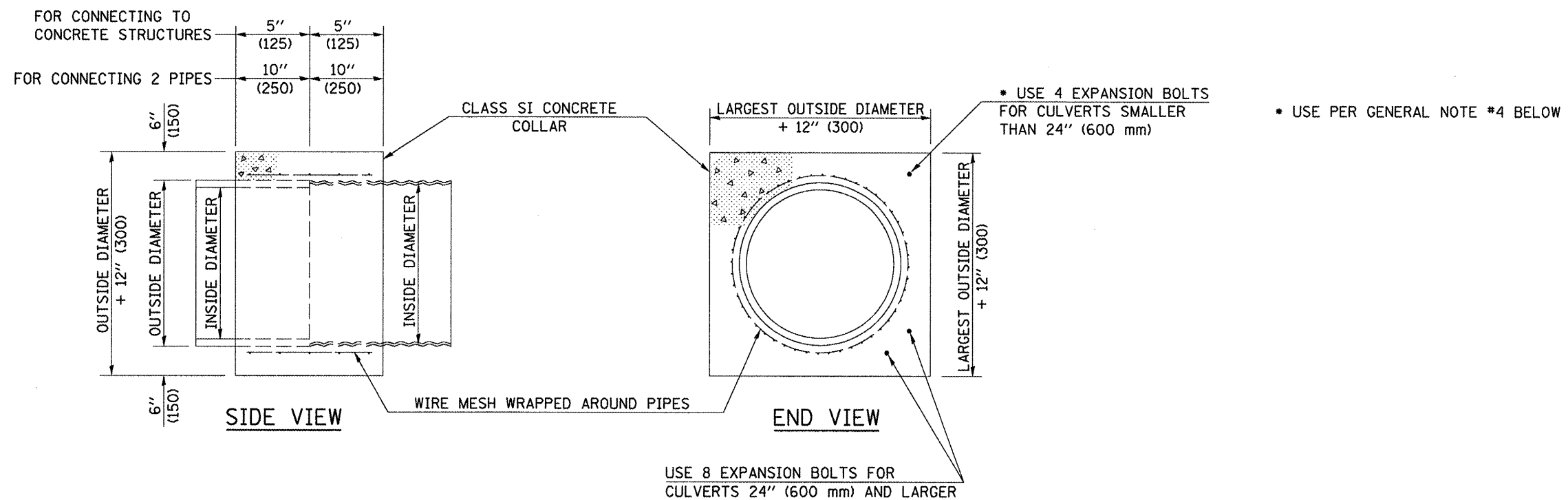
FILE NAME =	USER NAME = hogenbj	DESIGNED -	REVISED - 11/06
ct\pwwork\pwwdot\hogenbj\d0158340\0570650-shd-detail.dgn		DRAWN -	REVISED -
PLOT SCALE = 48.0000' / IN.		CHECKED -	REVISED -
PLOT DATE = 10/21/2010		DATE -	REVISED -

**STATE OF ILLINOIS  
DEPARTMENT OF TRANSPORTATION**

**PCC PARTIAL DEPTH HOT-MIX ASPHALT PATCHING**

SCALE: SHEET NO. OF SHEETS STA. TO STA.

F.A.I. RTE.	SECTION	COUNTY	TOTAL SHEETS	SHEET NO.
74	(57-2011), 21, 22 IRS-3	MCLEAN	150	90
FED. ROAD DIST. NO. ILLINOIS FED. AID PROJECT			CONTRACT NO. 70550	



### GENERAL NOTES

1. CLASS SI CONCRETE SHALL BE USED THROUGHOUT.
2. WHEN CONCRETE COLLARS ARE USED TO CONNECT PIPES OF DIFFERENT OUTSIDE DIAMETERS, THE CONCRETE COLLAR SHALL BE FORMED USING THE LARGEST OUTSIDE DIAMETER (SEE END VIEW).
3. THE WIRE MESH SHALL WEIGH NOT LESS THAN 54#/100 SQ. FT. (2.63 kg/m<sup>2</sup>).
4. WHEN CONCRETE COLLARS ARE CONSTRUCTED ADJACENT TO AN EXISTING CONCRETE STRUCTURE (HEADWALLS, ETC.) EXPANSION BOLTS, SHALL BE USED AND WILL BE PAID FOR AT THE CONTRACT UNIT PRICE, EACH, FOR EXPANSION BOLTS OF THE SIZE SPECIFIED IN THE PLANS.
5. CONCRETE COLLARS WILL BE PAID FOR AT THE CONTRACT UNIT PRICE, PER CUBIC YARD (CUBIC METER), FOR CONCRETE COLLARS INCLUDING ALL MATERIAL AND LABOR SPECIFIED TO COMPLETE THE WORK IN PLACE.

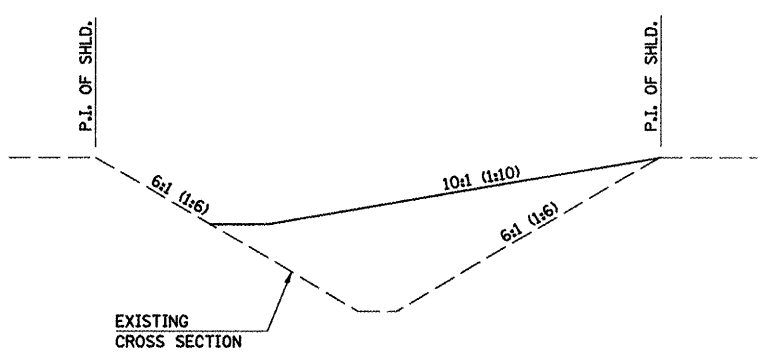
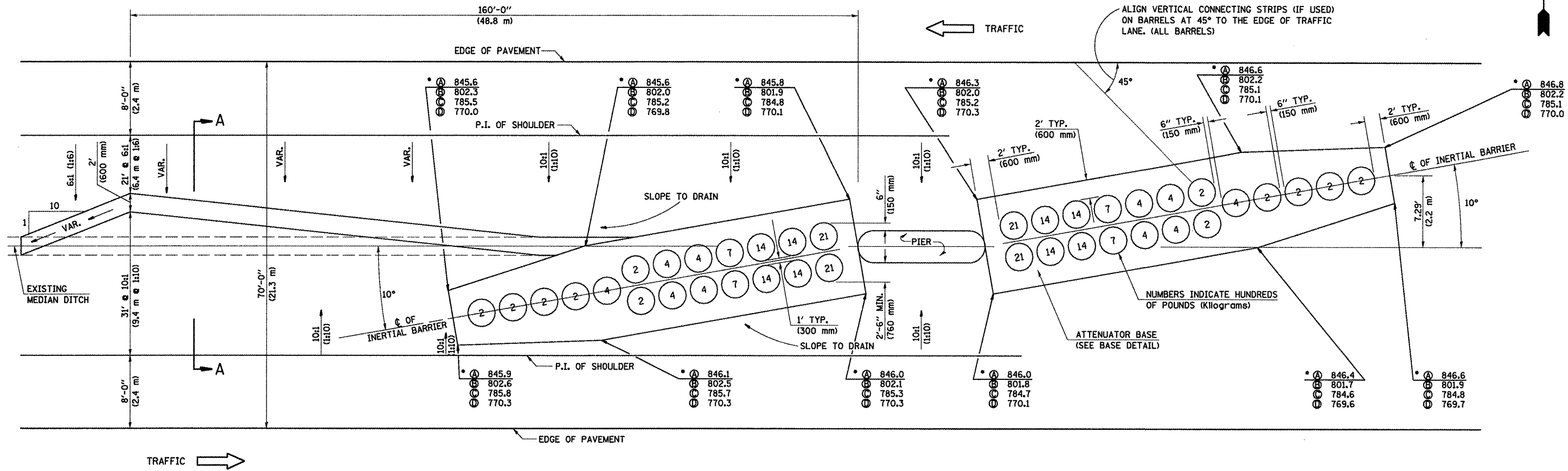
Note: All dimensions are in INCHES (millimeters) unless otherwise shown.

QUANTITIES FOR CONCRETE PIPES	
INSIDE DIAMETER OF PIPE	ESTIMATED CLASS SI CONCRETE REQUIRED
INCH (mm)	20" (500 mm) WIDTH CU. YD. (m <sup>3</sup> )
4" (100)	0.14 (0.11)
6" (150)	0.16 (0.12)
8" (200)	0.19 (0.14)
10" (250)	0.22 (0.17)
12" (300)	0.25 (0.19)
15" (375)	0.30 (0.23)
18" (450)	0.35 (0.27)
24" (600)	0.45 (0.35)
30" (750)	0.57 (0.43)
36" (900)	0.69 (0.53)
42" (1050)	0.83 (0.63)
48" (1200)	0.97 (0.74)
54" (1350)	1.12 (0.86)
60" (1500)	1.28 (0.98)

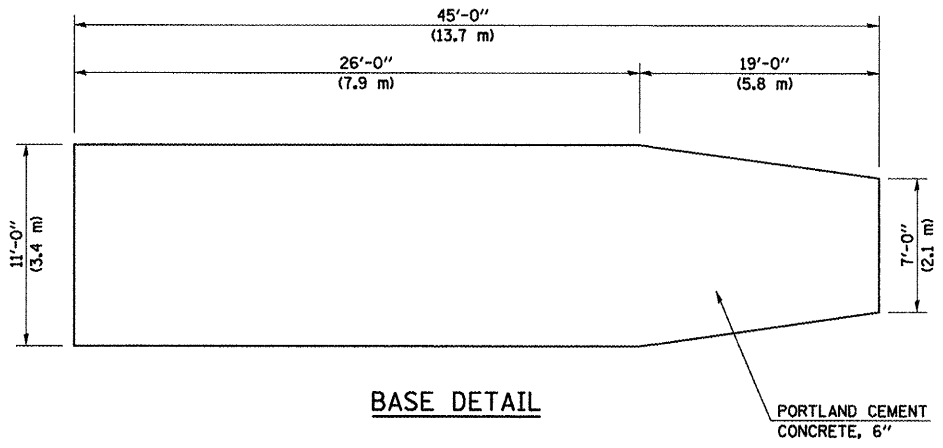
QUANTITIES FOR METAL PIPES	
INSIDE DIAMETER OF PIPE	ESTIMATED CLASS SI CONCRETE REQUIRED
INCH (mm)	20" (500 mm) WIDTH CU. YD. (m <sup>3</sup> )
4" (100)	0.12 (0.09)
6" (150)	0.14 (0.11)
8" (200)	0.16 (0.12)
10" (250)	0.19 (0.14)
12" (300)	0.21 (0.16)
15" (375)	0.25 (0.19)
18" (450)	0.29 (0.22)
24" (600)	0.38 (0.29)
30" (750)	0.47 (0.36)
36" (900)	0.59 (0.45)
42" (1050)	0.69 (0.53)
48" (1200)	0.81 (0.62)
54" (1350)	0.93 (0.71)
60" (1500)	1.05 (0.81)

FILE NAME =	USER NAME = hoganbj	DESIGNED -	REVISED - 12/06	<b>STATE OF ILLINOIS DEPARTMENT OF TRANSPORTATION</b>	<b>CONCRETE COLLAR</b>	F.A.I. RTE.	SECTION	COUNTY	TOTAL SHEETS	SHEET NO.
c:\pwork\pwork\hoganbj\d2158340\057059-shr-detals.dgn	DRAWN -	REVISED -	74			(57-2011),21,22)RS-3	MCLEAN	150	91	
PLOT SCALE = 48.0000' / IN.	CHECKED -	REVISED -	CONTRACT NO. 70550							
PLOT DATE = 10/21/2018	DATE -	REVISED -	SCALE:			SHEET NO.	OF SHEETS	STA.	TO STA.	FED. ROAD DIST. NO.

70 MPH (110 km/h) DESIGN - 70' (21 m) MEDIAN



SECTION A-A  
GRADING AND SHAPING DETAIL



BASE DETAIL

GENERAL NOTES

- ALL 10:1 (1:10) SLOPES SHOWN ON THIS DETAIL SHALL BE CONSTRUCTED 10:1 (1:10) OR FLATTER.
- THE SLOPES AS SHOWN ON THIS DETAIL SHALL APPLY TO BOTH ENDS OF THE BRIDGE PIERS.
- THE LENGTH X WIDTH OF MODULE LAYOUT IS 41.0' x 7.0' = 19 MODULES - 14,400 LBS.  
(12.5 m x 2.1 m = 19 MODULES - 6532 kg).
- IN AREAS OF 10:1 (1:10) SLOPES PRECEDING THE ATTENUATOR IN THE MEDIAN INSTALLATION, FOUR OR MORE WOOD POSTS SHALL BE PLACED AT 5' (1.5 m) INTERVALS IN THE MEDIAN  $\phi$ . SEE SPECIAL PROVISIONS AND SCHEDULES.

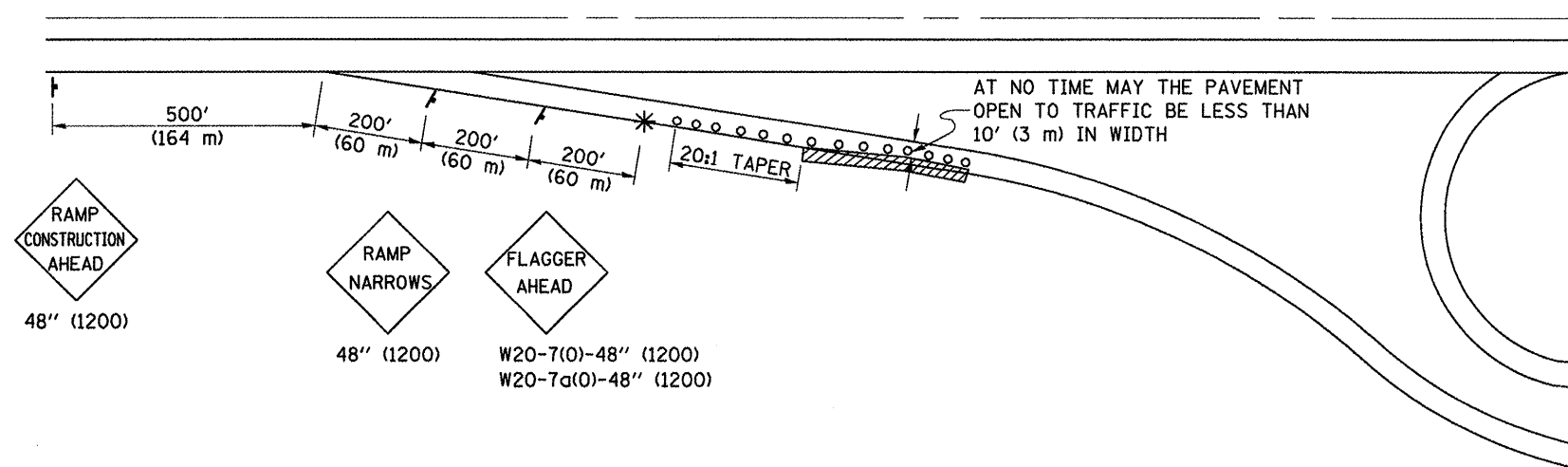
\* ELEVATIONS AT BASE  
CORNER POINTS LEGEND:

- Ⓐ S.N. 057-0122
- Ⓑ S.N. 057-0123
- Ⓒ S.N. 057-0124
- Ⓓ S.N. 057-0127

Note: All dimensions are in INCHES (millimeters) unless otherwise shown.

FILE NAME =	USER NAME = hogenbj	DESIGNED -	REVISED - 11/06	<b>STATE OF ILLINOIS DEPARTMENT OF TRANSPORTATION</b>	<b>IMPACT ATTENUATORS (NON-REDIRECTIVE) TEST LEVEL 3</b>	F.A.I. RTE:	SECTION	COUNTY	TOTAL SHEETS	SHEET NO.
al\pwwork\pwwdot\hogenbj\d0158340\057059-ah-t-detail.dgn	DRAWN -	REVISED - 12/08	74			(57-2041)21,22IRS-3	MCLEAN	150	92	
PLOT SCALE = 48.0000' / IN.	CHECKED -	REVISED -	CONTRACT NO. 70550							
PLOT DATE = 10/21/2010	DATE -	REVISED -	FED. ROAD DIST. NO. ILLINOIS FED. AID PROJECT							

**APPLICATION NO. 1  
PARTIAL RAMP CLOSURE  
DAYTIME OPERATIONS ONLY  
SHOULDER OPERATIONS ONLY**



**SYMBOLS**

- (APPLICATION NO. 1) TYPE I OR II BARRICADES OR DRUMS @ 50' (15 m) CTS.
- ⊕ (APPLICATION NO. 2) TYPE I OR II BARRICADES OR DRUMS @ 25' (7.5 m) CTS. W/STEADY BURNING LIGHTS
- \* (APPLICATION NO. 1) FLAGGER PLACED AS DIRECTED BY THE ENGINEER
- † SIGN ON PORTABLE OR PERMANENT SUPPORT
- ▨ WORK AREA

**TYPICAL APPLICATIONS**

- PAVEMENT PATCHING
- PIPE UNDERDRAINS
- HMA RESURFACING

**GENERAL NOTES**

CONSTRUCTION OPERATIONS SHALL BE CONFINED TO AN AREA NARROW ENOUGH THAT A MINIMUM OF 10' (3 m) OF PAVEMENT SHALL BE OPEN TO TRAFFIC AT ALL TIMES.

FULL WIDTH PAVEMENT ON THE RAMPS SHALL BE OPEN TO TRAFFIC AT NIGHT.

WHEN NO WORK IS BEING PERFORMED, THE FLAGGER WILL NOT BE REQUIRED. IF THE FLAGGER IS NOT PRESENT, THE FLAGGER SIGNS SHALL BE REMOVED OR COVERED.

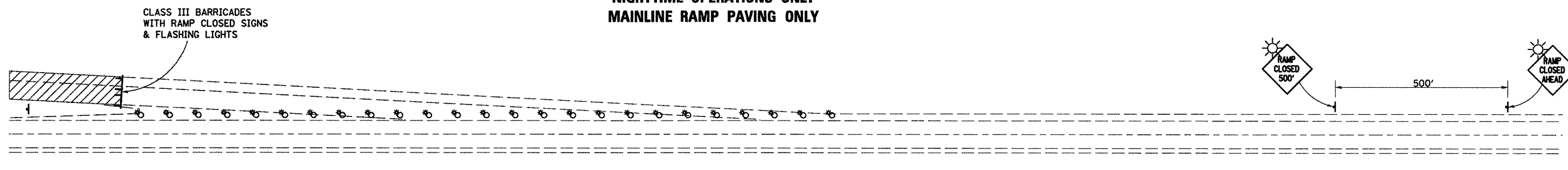
ALL SIGNS SHALL BE POST MOUNTED IF WORK IN THE AREA EXCEEDS FOUR DAYS OF DAYTIME OPERATIONS.

LONGITUDINAL DIMENSIONS MAY BE ADJUSTED SLIGHTLY TO FIT FIELD CONDITIONS.

ALL VEHICLES, EQUIPMENT, WORKERS (EXCEPT FLAGGER) AND THEIR ACTIVITIES ARE RESTRICTED AT ALL TIMES TO ONE SIDE OF THE PAVEMENT UNLESS OTHERWISE AUTHORIZED BY THE DISTRICT ENGINEER.

Traffic Control for all ramps shall be in accordance with the appropriate application of plan detail **TRAFFIC CONTROL FOR RAMPS** and will not be paid for separately, but shall be included in the contract lump sum price for Traffic Control Complete.

**APPLICATION NO. 2  
RAMP CLOSURE (OFF RAMP)  
NIGHTTIME OPERATIONS ONLY  
MAINLINE RAMP PAVING ONLY**



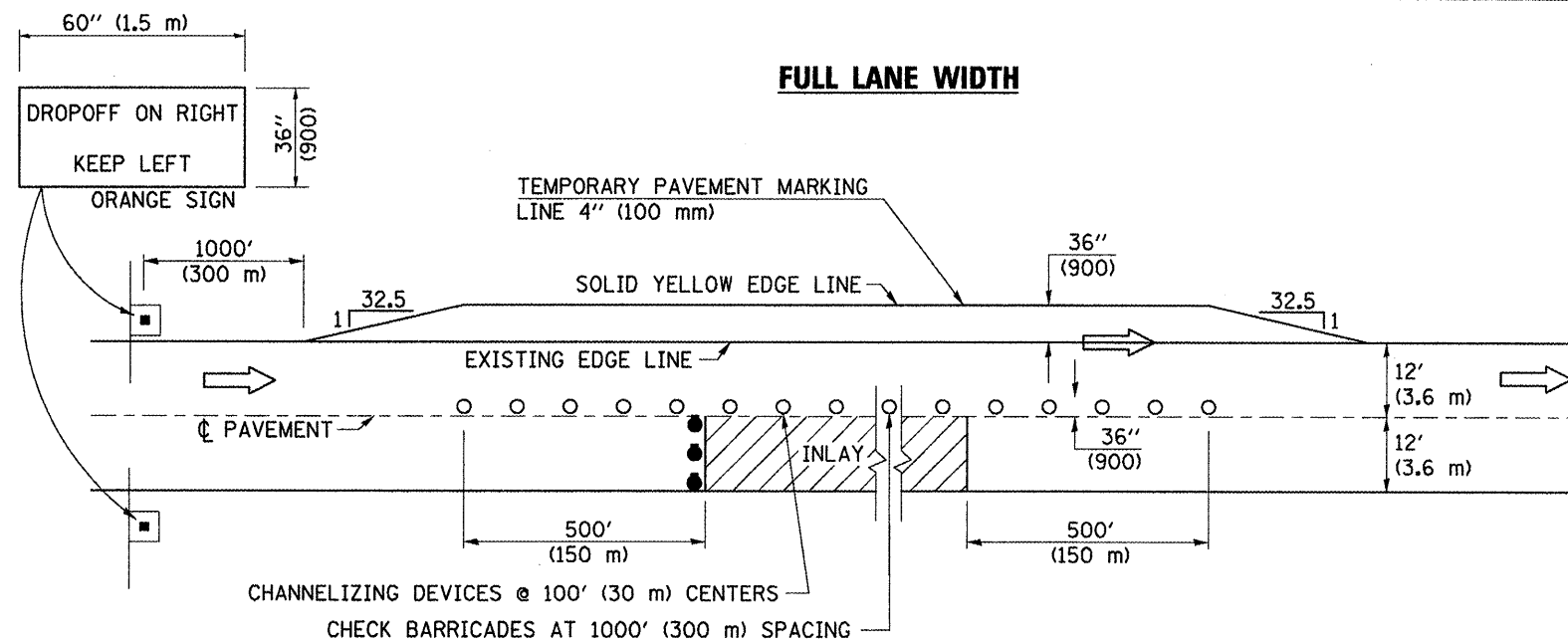
**GENERAL NOTES**

CONTACT THE DISTRICT TRAFFIC OPERATIONS ENGINEER AT 217-465-4181 AND OTHERS ACCORDING TO "NOTIFICATION PRIOR TO ROAD CLOSURES" SPECIAL PROVISION, TWO WEEKS PRIOR TO CLOSING THE RAMP.

Note: All dimensions are in INCHES (millimeters) unless otherwise shown.

FILE NAME =	USER NAME = hogenbj	DESIGNED -	REVISED - 11/06	<b>STATE OF ILLINOIS DEPARTMENT OF TRANSPORTATION</b>	<b>TRAFFIC CONTROL FOR RAMPS</b>		F.A.I. RTE:	SECTION	COUNTY	TOTAL SHEETS	SHEET NO.
ca\pwwork\pwwdot\hogenbj\40158340\0570550-ah-t-detail.dgn	DRAWN -	REVISED -	74				(57-2011),21,22)RS-3	MCLEAN	150	93	
PLOT SCALE = 48.0000' / IN.	CHECKED -	REVISED -	CONTRACT NO. 70550								
PLOT DATE = 10/21/2010	DATE -	REVISED -	SCALE:		SHEET NO. 1 OF 2 SHEETS	STA.	TO STA.	FED. ROAD DIST. NO.	ILLINOIS FED. AID PROJECT		



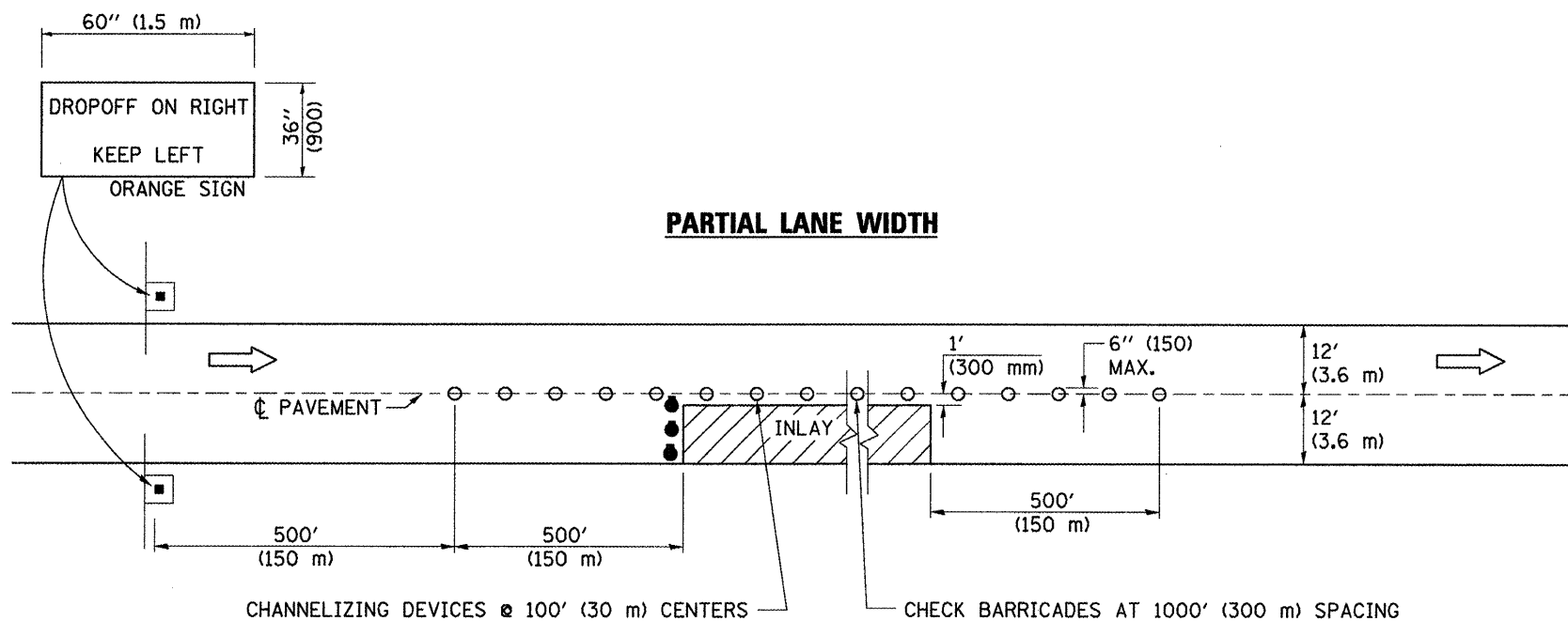


TRAFFIC CONTROL DETAILS NOT SHOWN SHALL BE ACCORDING TO TRAFFIC CONTROL STANDARD 701401.

PASSING LANE CLOSURES SHALL BE SIMILAR. SIGN SHALL READ "DROP OFF ON LEFT, KEEP RIGHT", AND THE TEMPORARY PAVEMENT MARKING LINE 4" (100 mm) SHALL BE A SOLID WHITE LINE.

AT RAMP, THE INLAY WORK AREA SHALL BE STAGED TO COORDINATE WITH STANDARD 701411. TEMPORARY RAMPS THROUGH THE INLAY AREA TO MAINTAIN RAMP TRAFFIC IN LIEU OF STAGING WILL NOT BE ALLOWED.

### TYPICAL APPLICATIONS DRIVING LANE INLAY



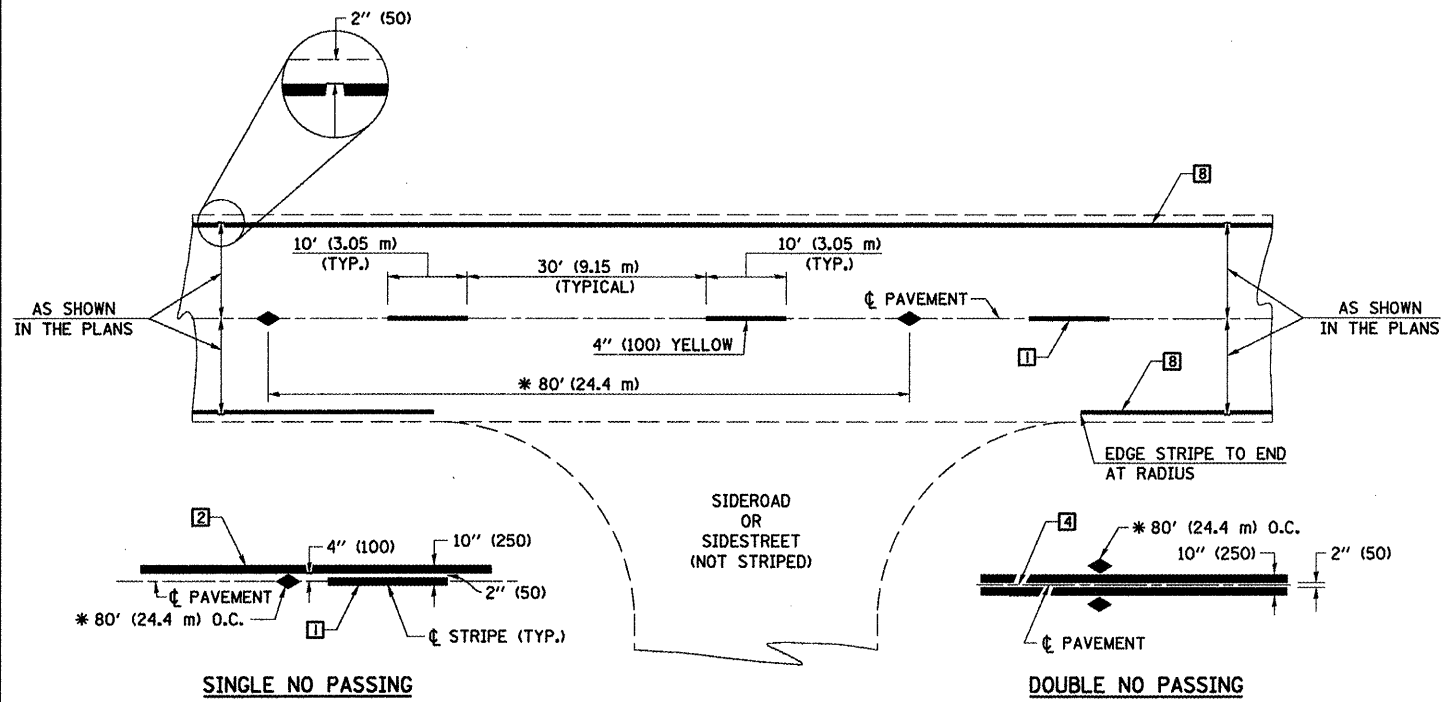
TRAFFIC CONTROL DETAILS NOT SHOWN SHALL BE ACCORDING TO TRAFFIC CONTROL STANDARD 701401.

AT RAMP, THE INLAY WORK AREA SHALL BE STAGED TO COORDINATE WITH STANDARD 701411. TEMPORARY RAMPS THROUGH THE INLAY AREA TO MAINTAIN RAMP TRAFFIC IN LIEU OF STAGING WILL NOT BE ALLOWED.

SYMBOLS	
	DIRECTION OF TRAVEL
	DRUMS WITH FLASHING LIGHTS
	42" (1.07 m) HIGH INTENSITY REFLECTORIZED CONE, DRUMS OR VERTICAL BARRICADES

Note: All dimensions are in INCHES (millimeters) unless otherwise shown.

FILE NAME =	USER NAME = hoganbj	DESIGNED -	REVISED - 11/06	<b>STATE OF ILLINOIS DEPARTMENT OF TRANSPORTATION</b>	<b>TRAFFIC CONTROL AND PROTECTION, STANDARD 701401 (SPECIAL)</b>	F.A.I. RTE.	SECTION	COUNTY	TOTAL SHEETS	SHEET NO.
ct:\pw_work\pwrdat\hoganbj\d0156340\057058-shs-details.dgn		DRAWN -	REVISED -			74	(57-20(1),21,22)RS-3	MCLEAN	150	94
PLOT SCALE = 48.0000' / IN.		CHECKED -	REVISED -			CONTRACT NO. 70550				
PLOT DATE = 10/21/2018		DATE -	REVISED -			SCALE:	SHEET NO. OF SHEETS	STA. TO STA.	FED. ROAD DIST. NO.	ILLINOIS FED. AID PROJECT



\* REDUCE TO 40' (12.2 m) O.C. ON CURVES WITH POSTED OR ADVISORY SPEEDS OF 45 mph (70 km/h) OR LESS.

**TWO LANE/TWO WAY**

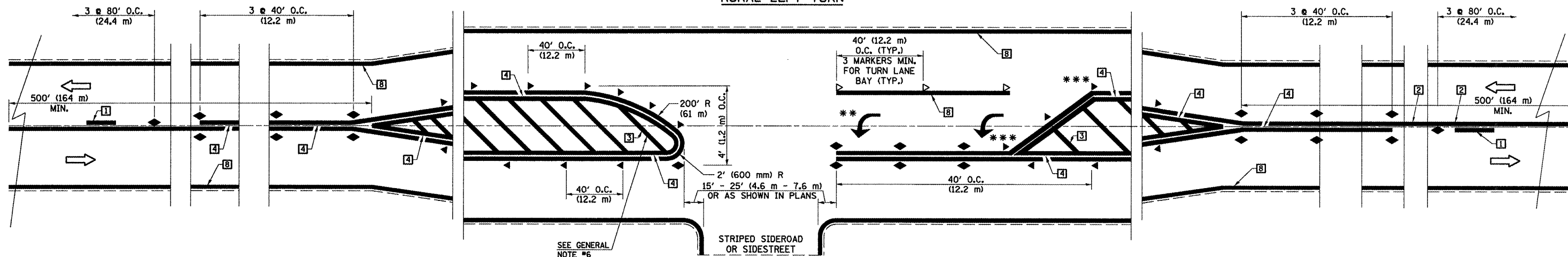
**TYPICAL PAVEMENT MARKING LEGEND**

- 1 4" (100) SKIP-DASH (YELLOW)
- 2 4" (100) SOLID (YELLOW)
- 3 12" (300) DIAGONAL (YELLOW)
- 4 4" (100) DOUBLE YELLOW (NARROW)
- 5 RESERVED
- 6 RESERVED
- 7 4" (100) SKIP-DASH (WHITE)
- 8 4" (100) SOLID (WHITE)
- 9 12" (300) DIAGONAL (WHITE)
- 10 6" (150) SOLID (WHITE)
- 11 24" (600) STOP BAR (WHITE)
- 12 8" (200) SOLID (WHITE)
- 13 4" (100) LANE LINE EXTENSIONS (WHITE)
- 14 4" (100) PARKING WHITE

**TYPICAL PAVEMENT MARKERS LEGEND**

- ◆ TWO-WAY AMBER MARKER
- ▶ ONE-WAY AMBER MARKER
- ▷ ONE-WAY CRYSTAL MARKER

**RURAL LEFT TURN**



\*\*\* REDUCE SPACING IF NECESSARY TO ASSURE MARKERS AT CORNER POINTS.

\*\* TURN ARROWS SHALL BE PLACED AS SHOWN ON SHEET #2.

Note: All dimensions are in INCHES (millimeters) unless otherwise shown.

FILE NAME =	USER NAME = hoganbj	DESIGNED -	REVISED - 11/06
ct:\pwwork\pwwork\hoganbj\d2158340\057059	59-ah-t-detail.dgn	DRAWN -	REVISED - 09/2009 - KJT
PLOT SCALE = 48.0000' / IN.		CHECKED -	REVISED -
PLOT DATE = 10/21/2010		DATE -	REVISED -

**STATE OF ILLINOIS  
DEPARTMENT OF TRANSPORTATION**

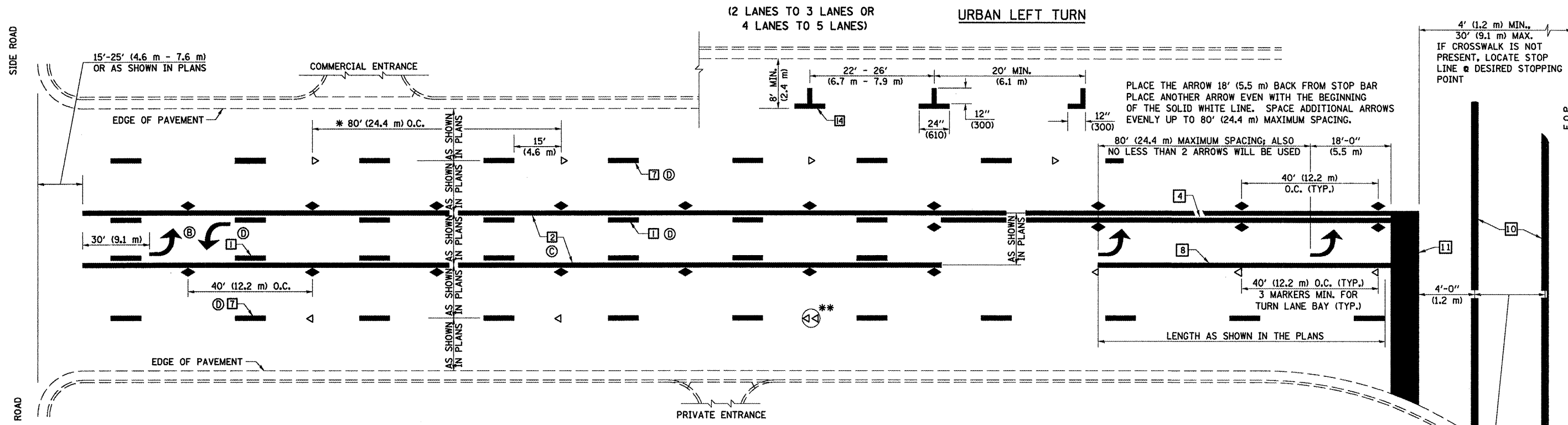
**PAVEMENT MARKING AND MARKERS  
(RURAL & URBAN APPLICATIONS)**

SCALE: SHEET NO. 1 OF 4 SHEETS STA. TO STA.

**DISTRICT 5 DETAIL NO. 7800AAAA**

F.A.I. RTE.	SECTION	COUNTY	TOTAL SHEETS	SHEET NO.
74	(57-20(1),21,22)RS-3	MCLEAN	150	95
FED. ROAD DIST. NO. ILLINOIS FED. AID PROJECT			CONTRACT NO. T0550	

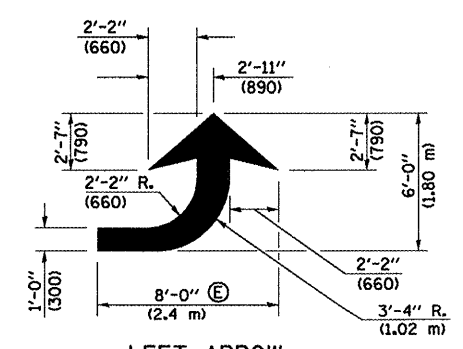




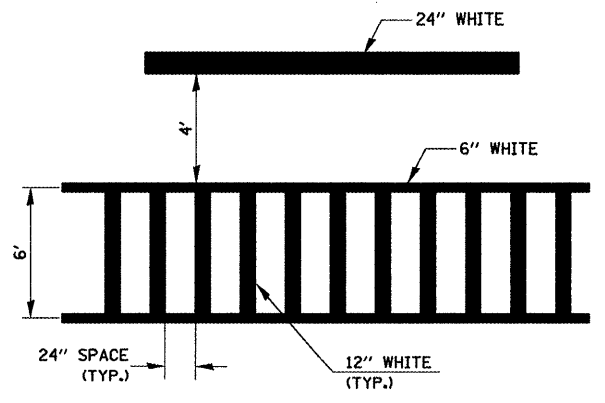
\* REDUCE TO 40 FEET (12.2 METERS) ON CENTER ON CURVES WHERE ADVISORY SPEEDS ARE 10 MPH (15 km/h) LOWER THAN POSTED SPEEDS.

\*\* DOUBLE LANE LINE MARKERS SHALL BE SPECIFIED AND SPACED AS SHOWN IN HIGHWAY STANDARD 781001 FOR MULTI-LANE DIVIDED AND UNDIVIDED HIGHWAYS.

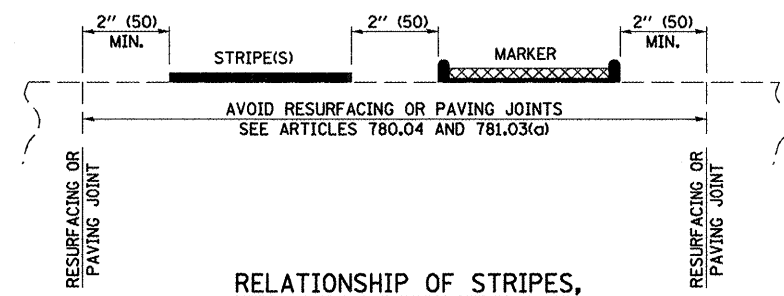
**BLOOMINGTON-NORMAL CITY LIMITS ONLY**



**LEFT ARROW**  
REVERSE FOR RIGHT ARROW  
AREA = 15.6 SQ. FT. (1.47 m<sup>2</sup>)  
(WHITE)



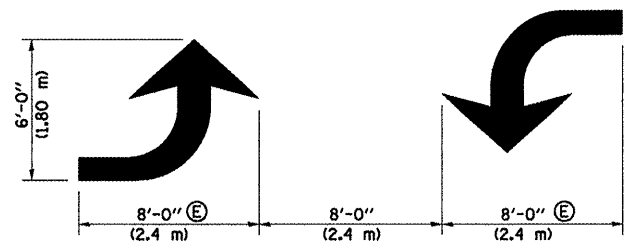
**TYPICAL SPACING FOR CROSSWALKS & STOP BARS**



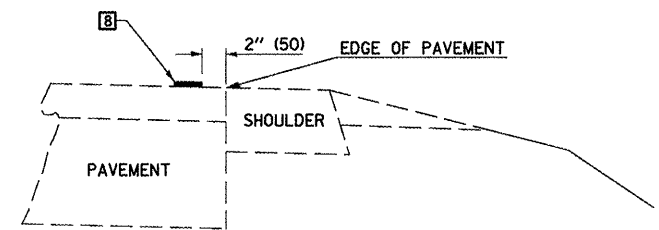
**RELATIONSHIP OF STRIPES, MARKERS AND JOINTS**

**GENERAL NOTES:**

- Ⓑ TURN ARROW PAIRS SHALL BE PLACED AT 250' (75 m) INTERVALS AND SHALL BE EVENLY SPACED BETWEEN BOTH ENDS OF THE BIDIRECTIONAL LEFT TURN LANE.
- Ⓒ THE SOLID YELLOW PAVEMENT MARKINGS [2] SHOULD GENERALLY START OR END NEAR THE RADIUS POINT OF EACH STREET RETURN EXCEPT WHERE ONE OR BOTH ENDS WOULD INCLUDE STOP BARS.
- Ⓓ THE SKIP-DASH PAVEMENT MARKINGS [1] OR [7] SHOULD BE CENTERED BETWEEN BOTH ENDS OF EACH CITY BLOCK AND SHALL BE PLACED SO THEY LINE UP ACROSS FROM EACH OTHER. SEE EXAMPLE ON SHEET 2 OF 3.
- Ⓔ USE LARGE ARROW SIZE FOR BOTH RURAL AND URBAN LOCATIONS. (SEE LAST PAGE OF SECTION 780x FOR SYMBOLS TABLE)



**TYPICAL DOUBLE TURN ARROWS (WHITE)**



**RELATIONSHIP OF EDGE LINE TO EDGE OF PAVEMENT**  
(SAFETY SHOULDER OR PAVED SURFACE)  
SEE ARTICLE 780.04

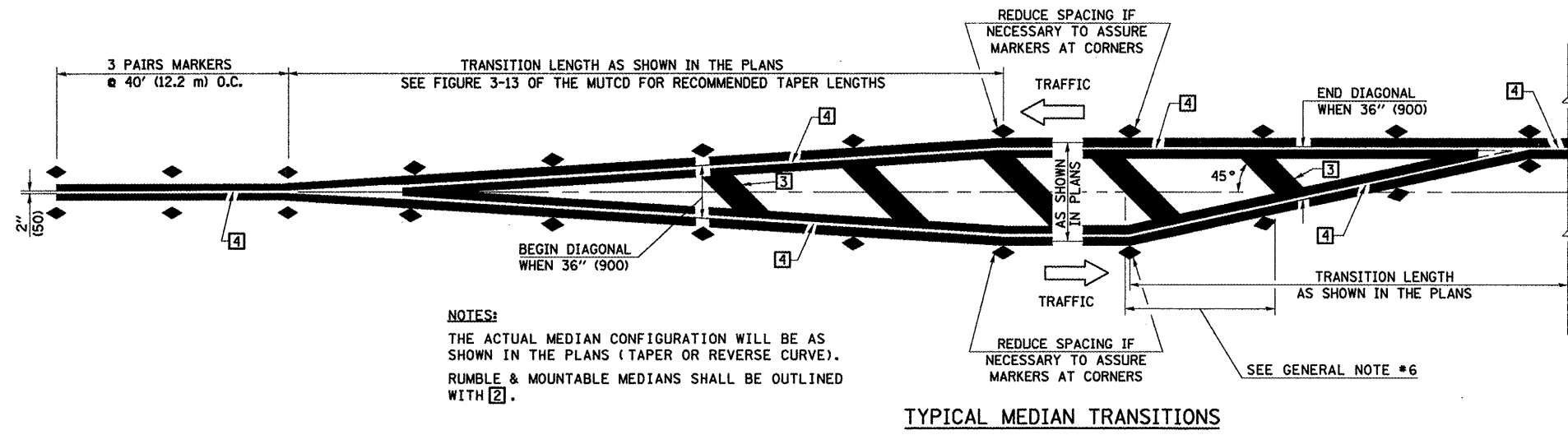
Note: All dimensions are in INCHES (millimeters) unless otherwise shown.

FILE NAME =	USER NAME = hogenbj	DESIGNED -	REVISED - 11/06
c:\pwwork\pwwork\hogenbj\d0158340\0570	58-sht-deta1.dgn	DRAWN -	REVISED - 09/2009 - KJT
	PLOT SCALE = 1/8" = 1' IN.	CHECKED -	REVISED -
	PLOT DATE = 10/21/2010	DATE -	REVISED -

**STATE OF ILLINOIS  
DEPARTMENT OF TRANSPORTATION**

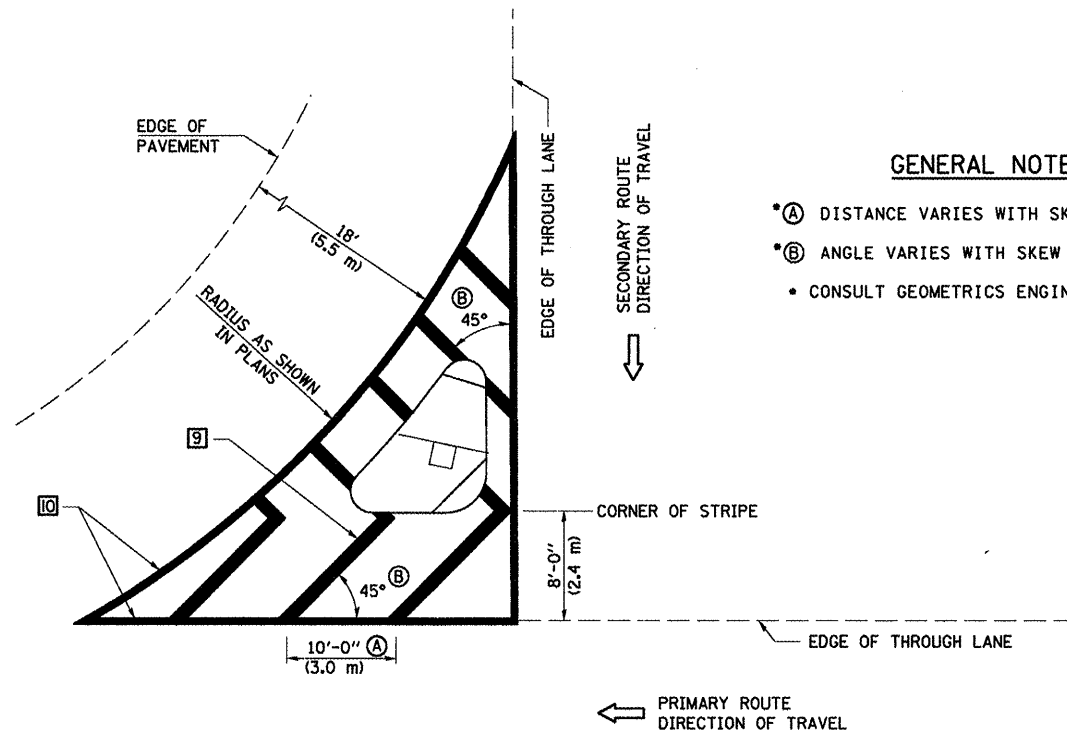
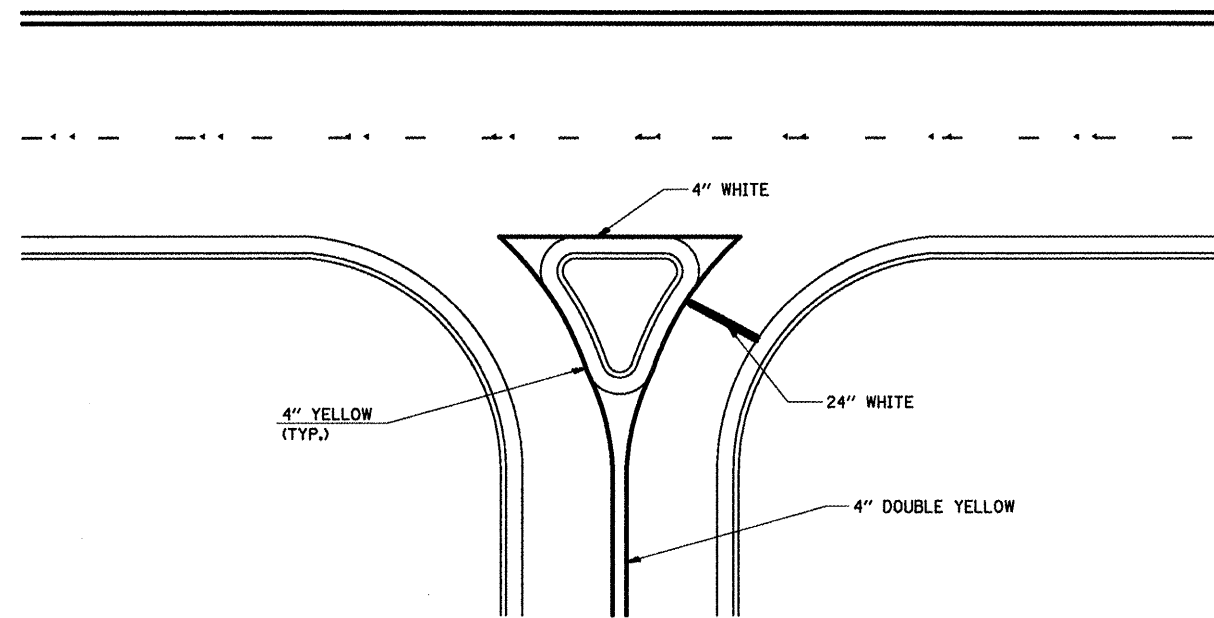
**PAVEMENT MARKING AND MARKERS  
(RURAL & URBAN APPLICATIONS)**  
SCALE: SHEET NO. 2 OF 4 SHEETS STA. TO STA.

<b>DISTRICT 5 DETAIL NO. 7800AAAA</b>				
F.A.I. RTE.	SECTION	COUNTY	TOTAL SHEETS	SHEET NO.
74	(57-2011), 21, 22 IRS-3	MCLEAN	150	96
FED. ROAD DIST. NO.			ILLINOIS FED. AID PROJECT	
			CONTRACT NO. 70550	



**GENERAL NOTES**

1. WHEN MEDIANS ARE PRESENT, PAVEMENT MARKINGS ARE TO BE PLACED ADJACENT TO MEDIANS.
2. SOME OF THE INFORMATION INCLUDED WITH THIS DETAIL MAY NOT BE APPLICABLE TO THIS IMPROVEMENT.
3. PAVEMENT MARKINGS ARE TO BE EXTENDED THROUGH OMISSIONS WHEN APPLICABLE.
4. A STRIPING KEY IS AVAILABLE ELSEWHERE AND SHALL BE SHOWN WHERE THE QUANTITIES ARE LISTED.
5. FINAL PAVEMENT MARKINGS SHALL BE IN PLACE PRIOR TO PLACING ANY RAISED REFLECTIVE PAVEMENT MARKERS.
6. THE FOLLOWING CRITERIA SHALL BE USED FOR SELECTING THE DIAGONAL PAVEMENT MARKING SPACING,  
 < 30 MPH USE 15' (< 50 km/h USE 4.5 m)  
 30-45 MPH USE 20' (50-75 km/h USE 6.0 m)  
 > 45 MPH USE 30' (> 75 km/h USE 9.0 m)



**GENERAL NOTES**

- (A) DISTANCE VARIES WITH SKEW OF INTERSECTION.
- (B) ANGLE VARIES WITH SKEW OF INTERSECTION.
- CONSULT GEOMETRICS ENGINEER

Note: All dimensions are in INCHES (millimeters) unless otherwise shown.

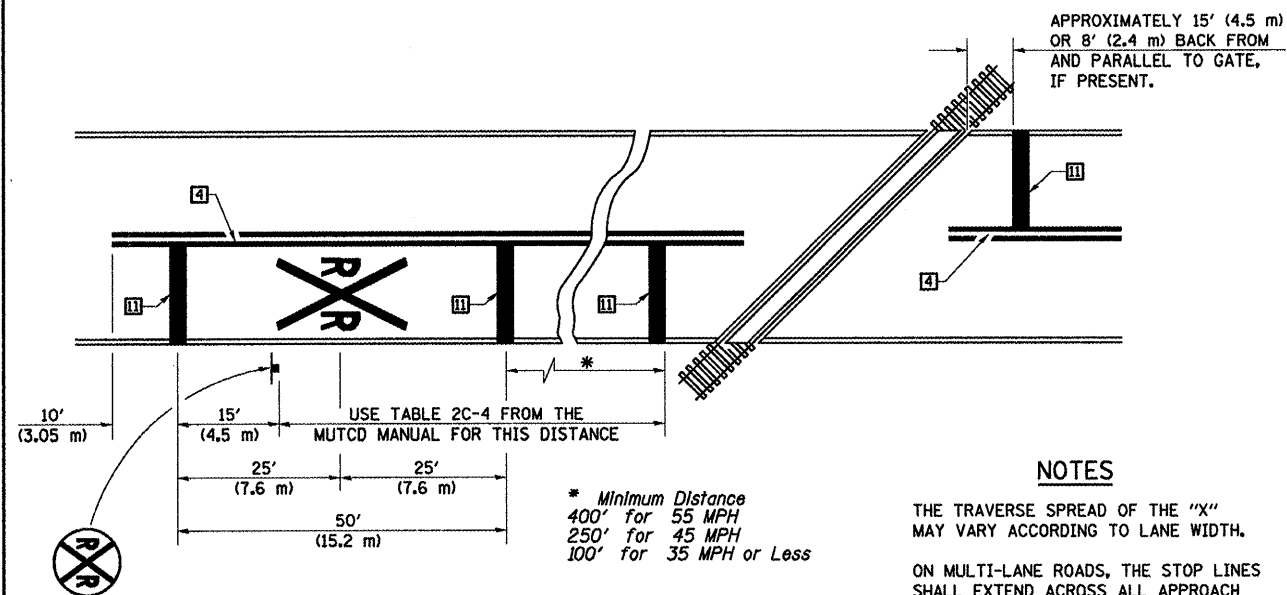
**DISTRICT 5 DETAIL NO. 7800AAAA**

FILE NAME =	USER NAME = hoganbj	DESIGNED -	REVISED - 11/06
ct:\pw_work\pwidot\hoganbj\d0156340\DS70550-shd-detail.dgn		DRAWN -	REVISED - 09/2009 - KJT
	PLOT SCALE = 1/8" = 1' / IN.	CHECKED -	REVISED -
	PLOT DATE = 10/21/2010	DATE -	REVISED -

**STATE OF ILLINOIS  
 DEPARTMENT OF TRANSPORTATION**

<b>PAVEMENT MARKING AND MARKERS    (RURAL &amp; URBAN APPLICATIONS)</b>			
SCALE:	SHEET NO. 3 OF 4 SHEETS	STA.	TO STA.

F.A.I. RTE.	SECTION	COUNTY	TOTAL SHEETS	SHEET NO.
74	(57-2011), 21, 22, RS-3	MCLEAN	150	97
FED. ROAD DIST. NO. [ILLINOIS] FED. AID PROJECT			CONTRACT NO. 70550	



**PAVEMENT MARKINGS AT RAILROAD-HIGHWAY GRADE CROSSING**

**NOTES**

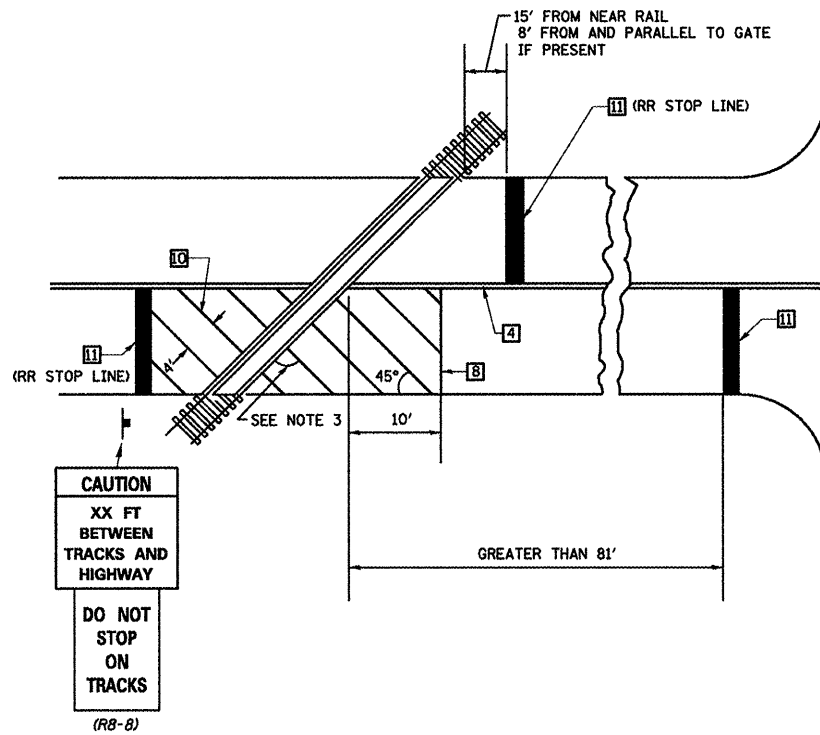
APPROXIMATELY 15' (4.5 m) OR 8' (2.4 m) BACK FROM AND PARALLEL TO GATE, IF PRESENT.

THE TRAVERSE SPREAD OF THE "X" MAY VARY ACCORDING TO LANE WIDTH.

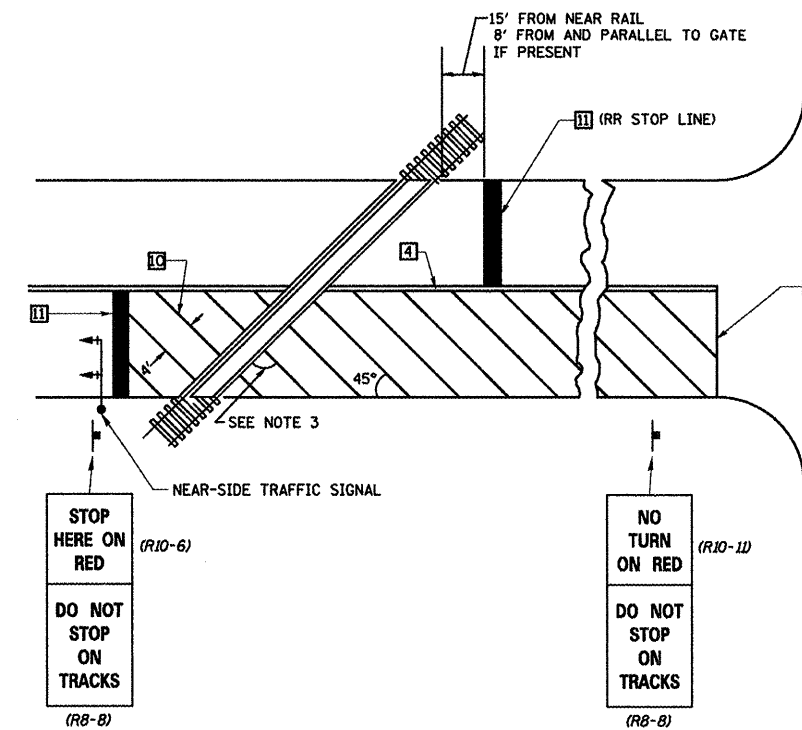
ON MULTI-LANE ROADS, THE STOP LINES SHALL EXTEND ACROSS ALL APPROACH LANES AND SEPARATE RXR SYMBOLS SHALL BE PLACED ADJACENT TO EACH OTHER IN EACH LANE.

WHEN THE PAVEMENT MARKING SYMBOL IS USED, A PORTION OF THE SYMBOL SHOULD BE LOCATED DIRECTLY ADJACENT TO THE ADVANCE WARNING SIGN (W10-1) AS PLACED BY TABLE II-1, CONDITION B OF THE MUTCD.

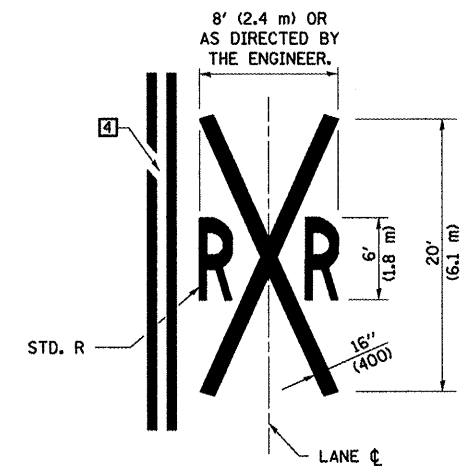
**RAILROAD CROSSING WITH INTERCONNECT ONLY**



**RAILROAD CROSSING WITH INTERCONNECT AND PRE-SIGNALS**



**SUPPLEMENTAL PAVEMENT MARKING TREATMENT FOR RAILROAD-HIGHWAY GRADE CROSSING**



**GENERAL NOTES**

- SUPPLEMENTAL PAVEMENT MARKINGS TO BE INSTALLED ONLY ON APPROACHES TO INTERSECTIONS CONTROLLED BY TRAFFIC SIGNALS WHICH ARE INTERCONNECTED WITH THE RAILROAD WARNING SIGNALS.
- EXTEND PAVEMENT MARKINGS TO THE INTERSECTION ONLY WHERE NEAR-SIDE TRAFFIC SIGNALS ARE USED.
- WHERE THE ANGLE BETWEEN THE DIAGONAL PAVEMENT MARKINGS AND THE TRACK WOULD BE LESS THAN 20°, THE PAVEMENT MARKINGS SHOULD BE PLACED IN THE OPPOSITE DIRECTION FROM THAT SHOWN.

Note: All dimensions are in INCHES (millimeters) unless otherwise shown.

**DISTRICT 5 DETAIL NO. 7800AAAA**

FILE NAME =	USER NAME = hoganbj	DESIGNED -	REVISED - 11/06
c:\pwork\pudot\hoganbj\d015834\0570	58-sht-details.dgn	DRAWN -	REVISED - 09/2009 - KJT
	PLOT SCALE = 1/8" = 1' IN.	CHECKED -	REVISED -
	PLOT DATE = 10/21/2010	DATE -	REVISED -

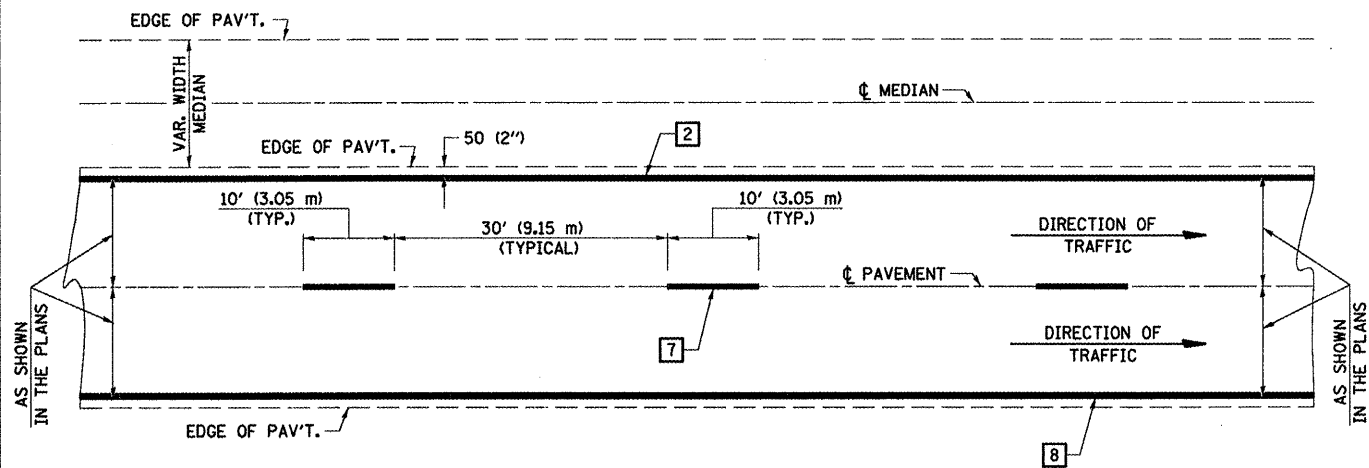
**STATE OF ILLINOIS  
DEPARTMENT OF TRANSPORTATION**

**PAVEMENT MARKING AND MARKERS  
(RURAL & URBAN APPLICATIONS)**

SCALE: SHEET NO. 4 OF 4 SHEETS STA. TO STA.

F.A.I. RTE.	SECTION	COUNTY	TOTAL SHEETS	SHEET NO.
74	(57-20(1),21,22)RS-3	MCLEAN	150	98
FED. ROAD DIST. NO. ILLINOIS FED. AID PROJECT			CONTRACT NO. 70550	

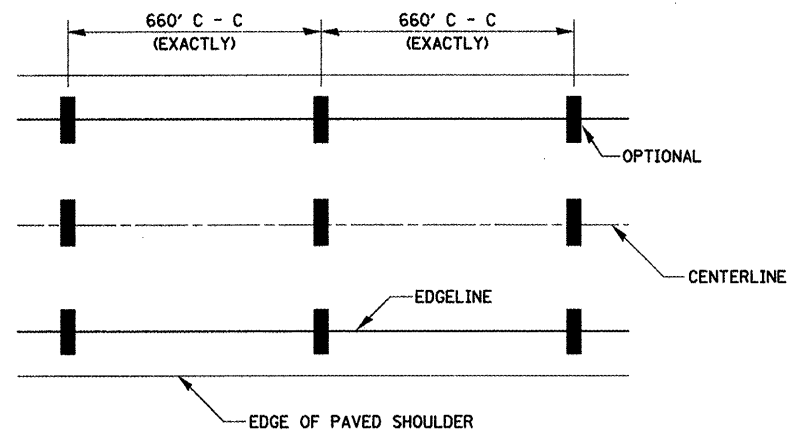
**CENTERLINE INTERSTATE OR MULTI-LANE TWO WAY DIVIDED HIGHWAY**



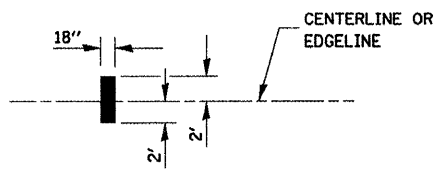
NOTE: PAVEMENT MARKINGS ARE TO BE EXTENDED THROUGH OMISSIONS WHEN APPLICABLE.

NOTE: SEE ARTICLES 780.04 & 781.03 FOR LOCATION OF STRIPES AND MARKERS RELATIVE TO EDGES OR JOINTS.

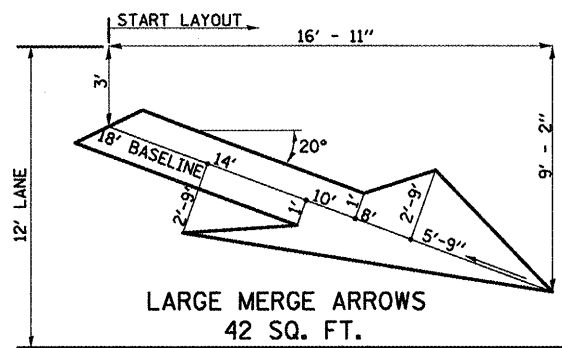
FOR RAISED REFLECTIVE PAVEMENT MARKERS, REFER TO STANDARD 781001.



IT WILL BE NECESSARY TO HAVE A REPRESENTATIVE OF THE STATE POLICE PRESENT SO THAT THE ACCURACY OF MEASUREMENT CAN BE ATTESTED TO IN COURT.



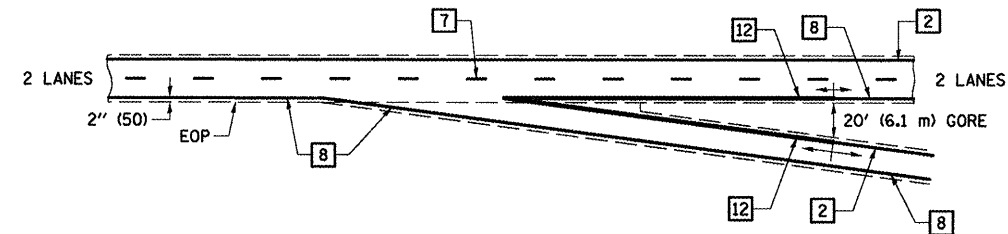
**AERIAL SPEED CHECK ZONES**



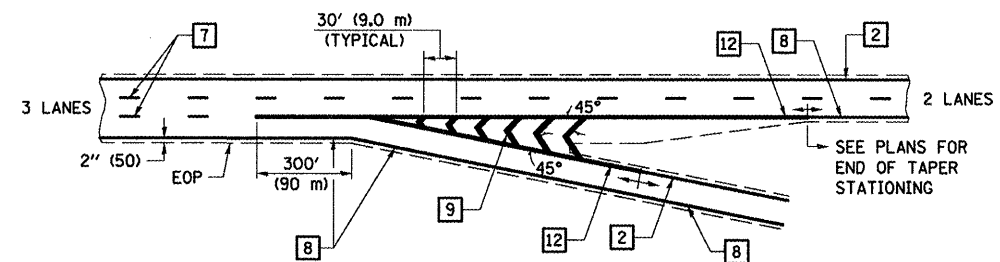
**TYPICAL PAVEMENT MARKING LEGEND**

- 1 4" (100) SKIP-DASH (YELLOW)
  - 2 4" (100) SOLID (YELLOW)
  - 3 12" (300) DIAGONAL (YELLOW)
  - 4 4" (100) DOUBLE YELLOW (NARROW)
  - 5 RESERVED
  - 6 RESERVED
  - 7 4" (100) SKIP-DASH (WHITE)
  - 8 4" (100) SOLID (WHITE)
  - 9 12" (300) DIAGONAL (WHITE)
  - 10 6" (150) SOLID (WHITE)
  - 11 24" (600) STOP BAR (WHITE)
  - 12 8" (200) SOLID (WHITE)
  - 13 4" (100) LANE LINE EXTENSIONS (WHITE)
- 
- 
- 
- 
- 
- 

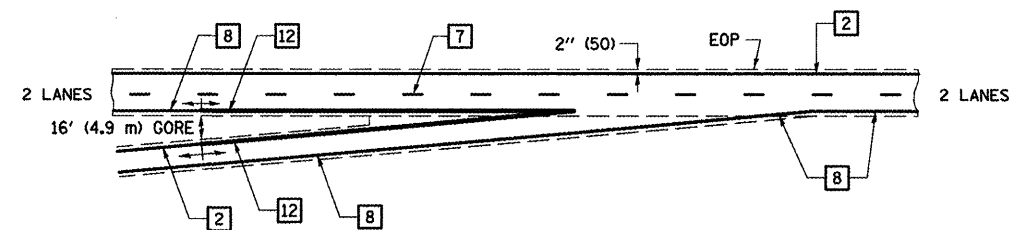
**TYPICAL EXIT RAMP TERMINAL**



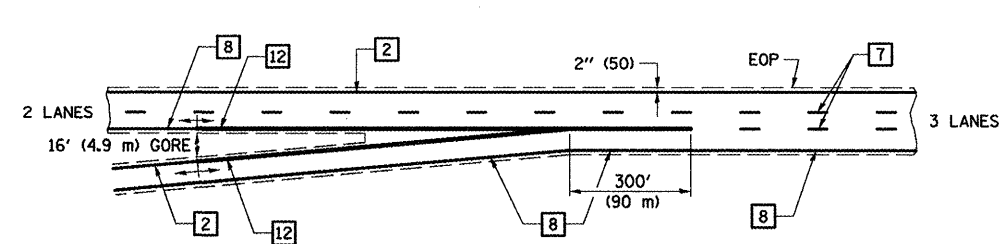
**EXIT RAMP TERMINAL with EXCLUSIVE (auxiliary) LANE**



**TYPICAL ENTRANCE RAMP TERMINAL**



**ENTRANCE RAMP TERMINAL with EXCLUSIVE LANE**



Note: All dimensions are in INCHES (millimeters) unless otherwise shown.

**DISTRICT 5 DETAIL NO. 7800BBBB**

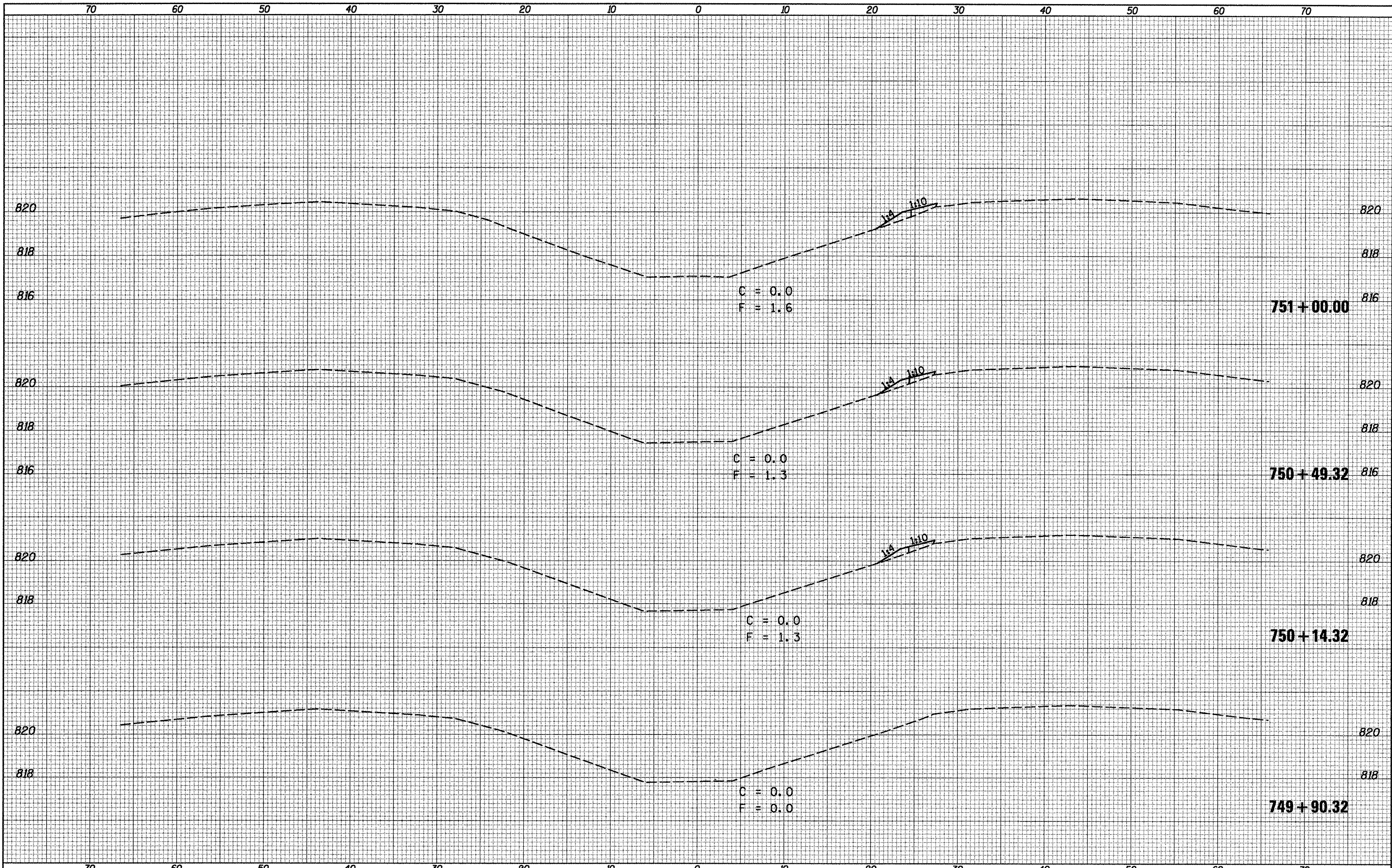
FILE NAME =	USER NAME = hogenbj	DESIGNED -	REVISED - 11/06
ca\pwwork\pwwork\hogenbj\d0158340\0570550-sht-details.dgn		DRAWN -	REVISED -
		CHECKED -	REVISED -
		DATE -	REVISED -

**STATE OF ILLINOIS**  
**DEPARTMENT OF TRANSPORTATION**

**PAVEMENT MARKING (INTERSTATE & MULTI-LANE APPLICATIONS)**

SCALE:	SHEET NO.	OF SHEETS	STA.	TO STA.
--------	-----------	-----------	------	---------

F.A.I. RTE.	SECTION	COUNTY	TOTAL SHEETS	SHEET NO.
74	(57-20(1),21,22)RS-3	MCLEAN	150	99
FED. ROAD DIST. NO. ILLINOIS FED. AID PROJECT			CONTRACT NO. 70550	



FILE NAME = c:\pwwork\pwwork\hoganbj\d0239502\0570550-ah	USER NAME = hoganbj XS-GR_749+90.dgn	DESIGNED - BJM	REVISED -	<b>STATE OF ILLINOIS DEPARTMENT OF TRANSPORTATION</b>	<b>E.B. INSIDE SHOULDER EARTHWORK FOR GUARDRAIL PLACEMENT</b>	F.A.I. RTE. 74	SECTION (57-2011),21,22RS-3	COUNTY McLean	TOTAL SHEETS 150	SHEET NO. 100
PLOT SCALE = 18.0000' / IN.	CHECKED -	REVISED -	CONTRACT NO. 70550							
PLOT DATE = 10/21/2010	DATE - 09/14/10	REVISED -	ILLINOIS FED. AID PROJECT							
SCALE: SHEET NO. 1 OF 2 SHEETS STA. 749+90.32 TO STA. 751+00.00										