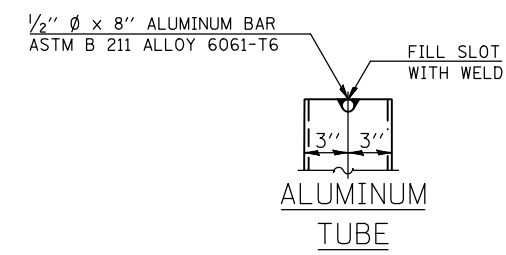
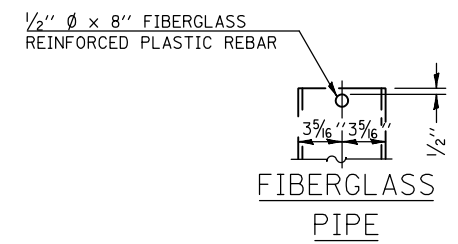
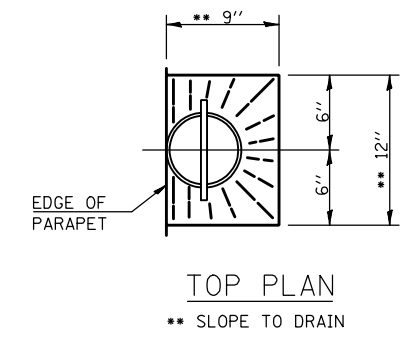
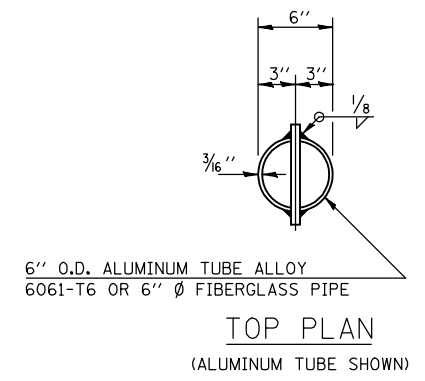
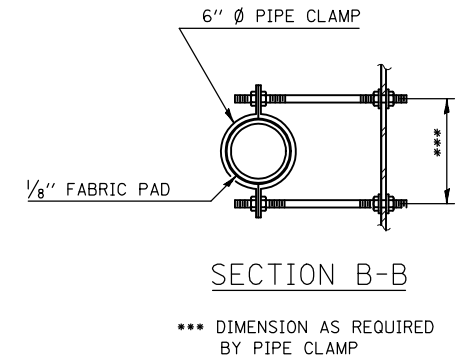
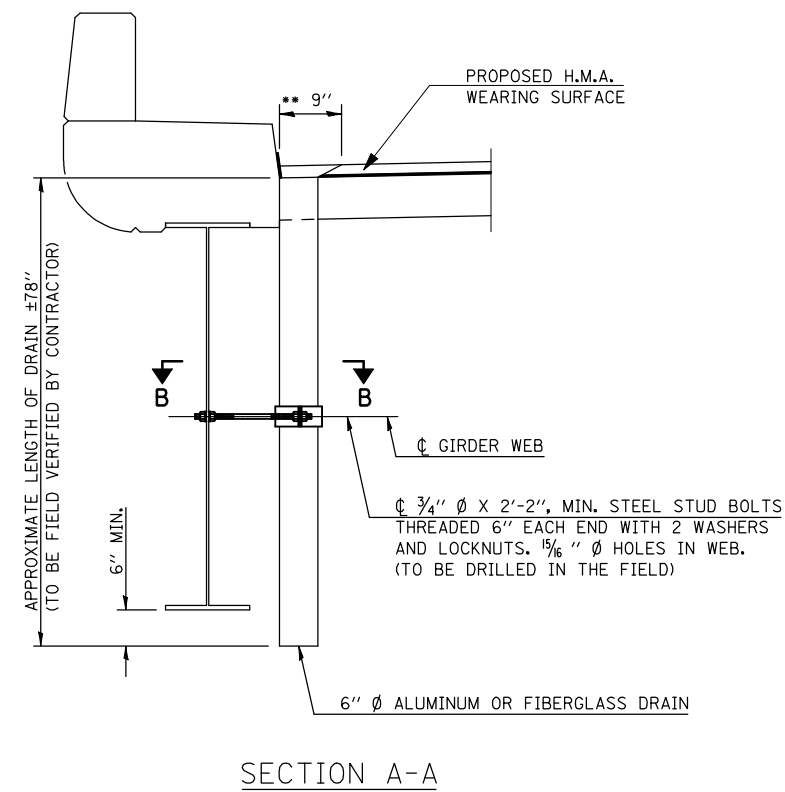
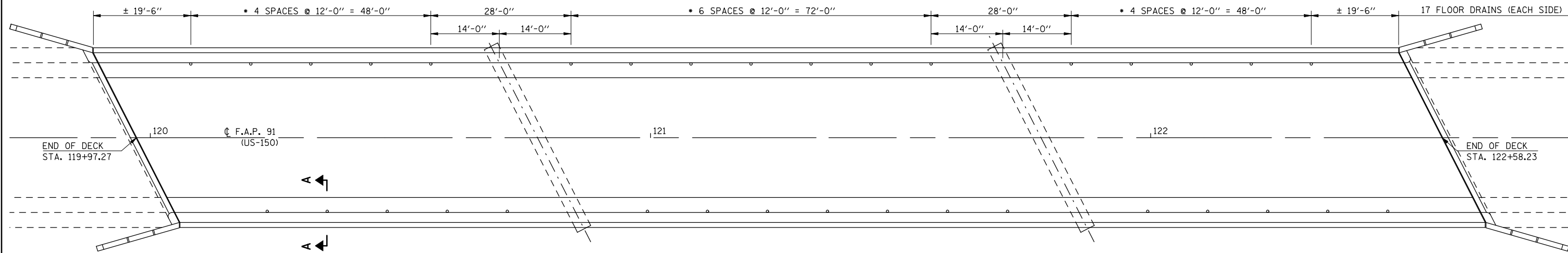


FLOOR DRAIN DETAILS S.N. 023-0013

• ADJUST DRAIN SPACING AS NECESSARY TO MISS DIAPHRAGMS AND WEB REINFORCEMENTS



- NOTES:**
- FLOOR DRAINS NEED NOT BE PAINTED.
 - FIBERGLASS PIPE SHALL CONFORM TO ASTM D 2996, WITH SHORT-TIME RUPTURE STRENGTH HOOP TENSILE STRESS OF 30,000 P.S.I. MINIMUM.
 - GALVANIZE CLAMPING DEVICE AND ALL STUD BOLTS, WASHERS AND NUTS ACCORDING TO AASHTO M232.

BILL OF MATERIALS

ITEM	UNIT	TOTAL
FLOOR DRAINS	EACH	34.0

•91 & 332

FILE NAME =	USER NAME = carrollrt	DESIGNED - GMS	REVISED -
ct:\pw\work\p\midot\carrollrt\d0212096\Bridg	Bridge Repairs - 023-0013.dgn	DRAWN - GMS	REVISED -
	PLOT SCALE = 40.0001' / IN.	CHECKED -	REVISED -
	PLOT DATE = 12/10/2010	DATE -	REVISED -

**STATE OF ILLINOIS
DEPARTMENT OF TRANSPORTATION**

**FLOOR DRAIN DETAILS
S.N. 023-0013**

SCALE: SHEET NO. 7 OF 9 SHEETS STA. TO STA.

F.A.P. RTE.	SECTION	COUNTY	TOTAL SHEETS	SHEET NO.
•	101 BDR & CX-BJR	EDGAR	36	10
CONTRACT NO. 70873				
FED. ROAD DIST. NO. ILLINOIS FED. AID PROJECT				