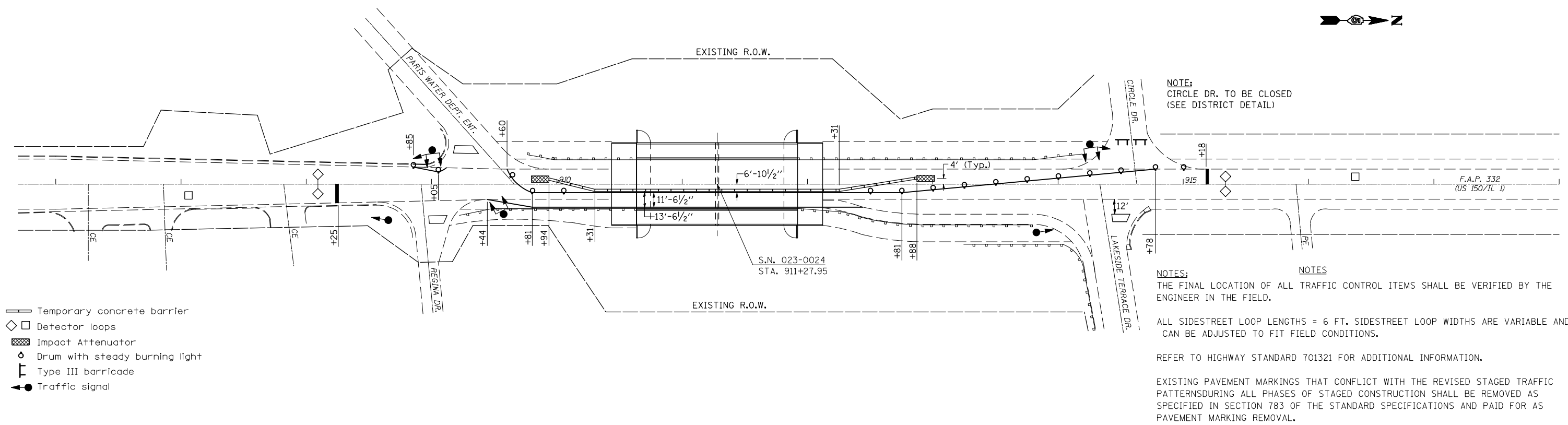
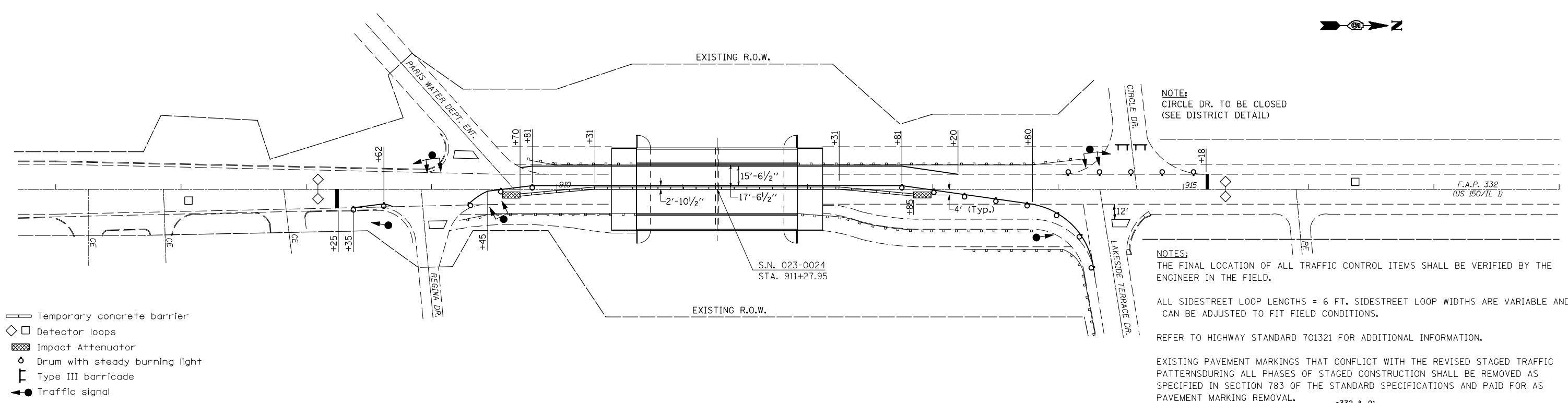


STAGE 1 TRAFFIC CONTROL PLAN



STAGE 2 TRAFFIC CONTROL PLAN



FILE NAME =	USER NAME = carrollrt	DESIGNED R. Carroll	REVISED -	STATE OF ILLINOIS DEPARTMENT OF TRANSPORTATION	STAGE 1 & 2 TRAFFIC CONTROL PLAN S.N. 023-0024			F.A.P. RTE.	SECTION	COUNTY	TOTAL SHEETS	SHEET NO.
ct:\pw\work\p\dot\carrollrt\d0212088\070673-Design_023-0024.dgn	DRAWN R. Carroll	REVISED -	•					10IBDR & CX-BJR	EDGAR	36	22	
PLOT SCALE = 100.0000' / IN.	CHECKED R. Biggs	REVISED -	CONTRACT NO. 70873									
PLOT DATE = 12/10/2010	DATE -	REVISED -	ILLINOIS FED. AID PROJECT									