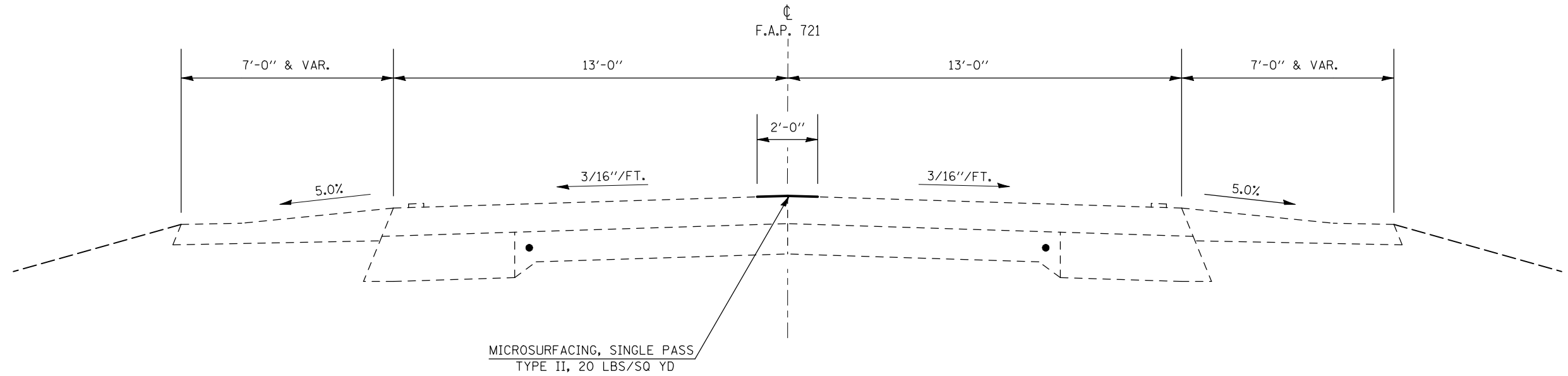


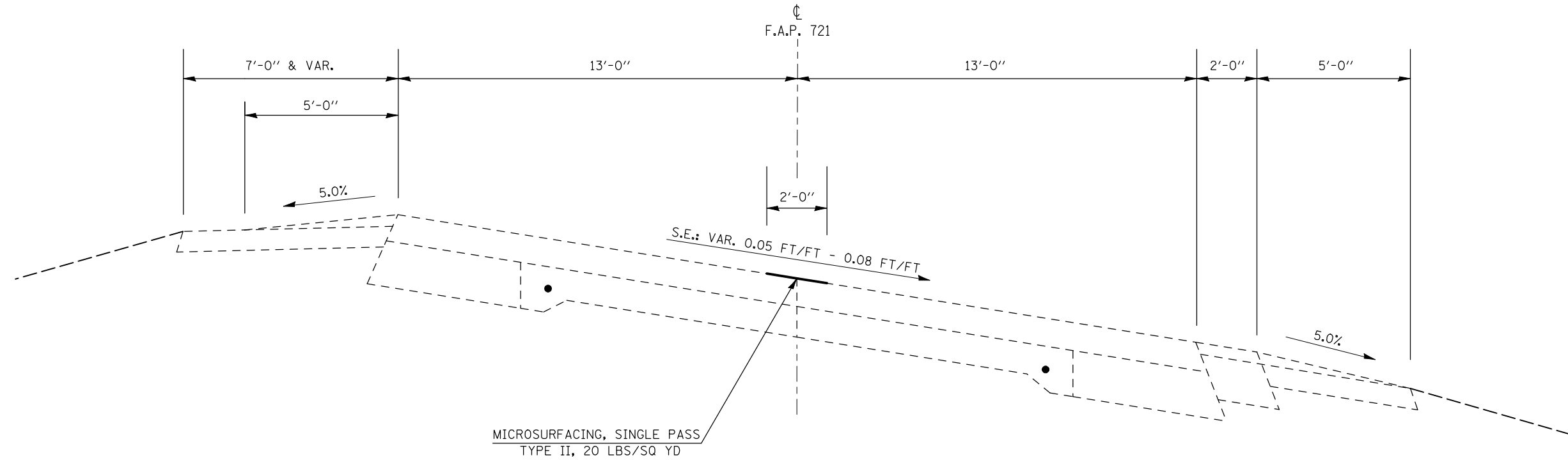
PROPOSED TYPICAL CROSS SECTION ②

STATION	TO	STATION
② 29+25.00		② 44+59.00
③ 57+48.70		③ 60+59.40
③ 76+72.00		③ 92+50.00



PROPOSED TYPICAL CROSS SECTION ③

STATION	TO	STATION
② 44+59.00		② 57+48.70
② 60+59.40		② 76+72.00



•• DEWITT & PIATTT
••• F.A.I. 74 & F.A.P. 721

FILE NAME =	USER NAME = berganAJ	DESIGNED - AJB 11/24/2010	REVISED -	STATE OF ILLINOIS DEPARTMENT OF TRANSPORTATION	PROPOSED TYPICAL SECTIONS	F.A.I. RTE.:	SECTION	COUNTY	TOTAL SHEETS	SHEET NO.
ct:\pw\work\p\idot\berganAJ\0243642\0570890-sh-typical.CEL		DRAWN -	REVISED -		SCALE: _____	***	(74-2) & (113) I	**	15	9
PLOT SCALE = 100.0000' / IN.		CHECKED -	REVISED -		SHEET NO. 3 OF 3 SHEETS					CONTRACT NO. 70890
PLOT DATE = 12/13/2010		DATE -	REVISED -		STA. _____ TO STA. _____					ILLINOIS FED. AID PROJECT