

STATE OF ILLINOIS
DEPARTMENT OF TRANSPORTATION
DIVISION OF HIGHWAYS

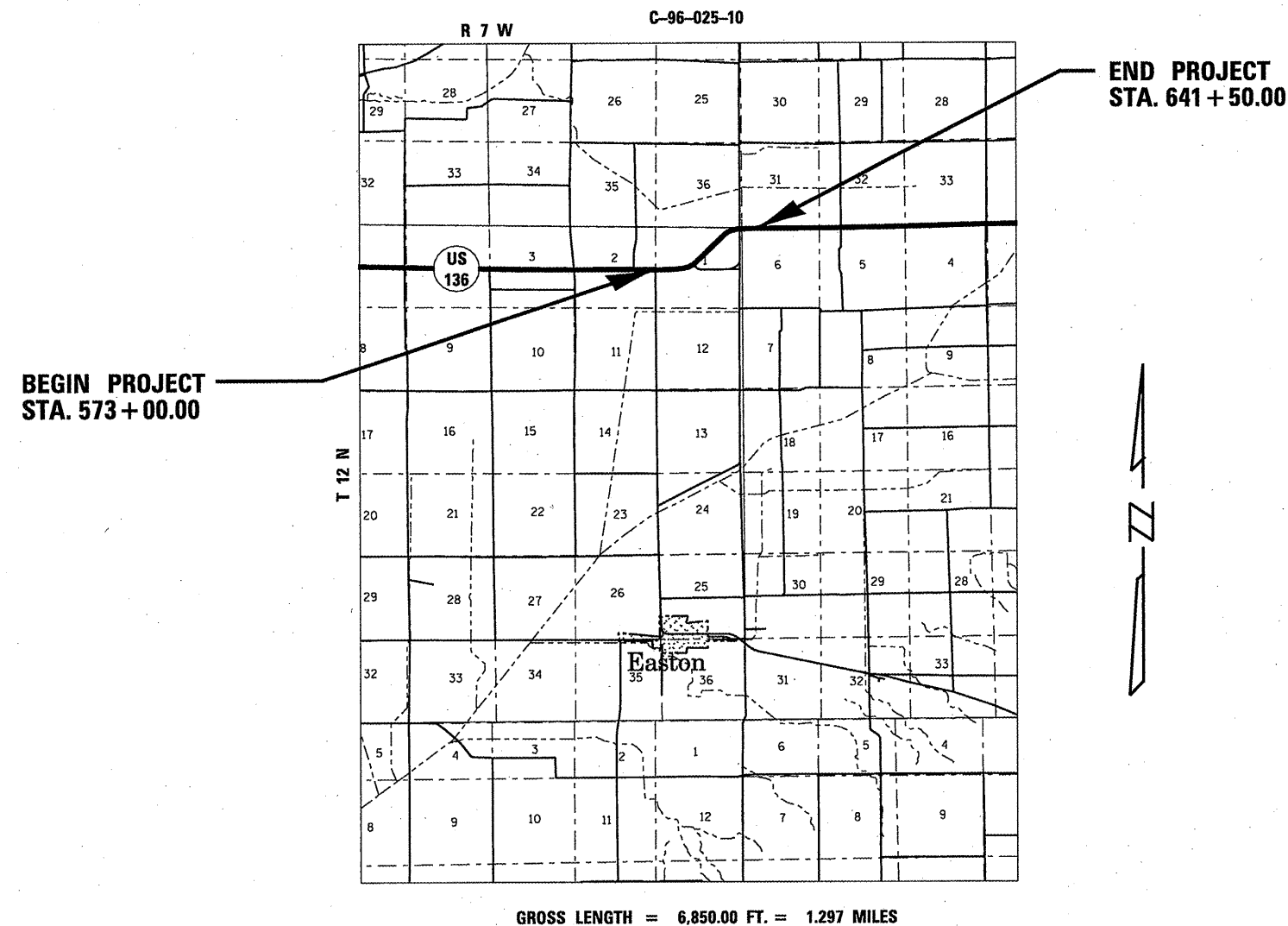
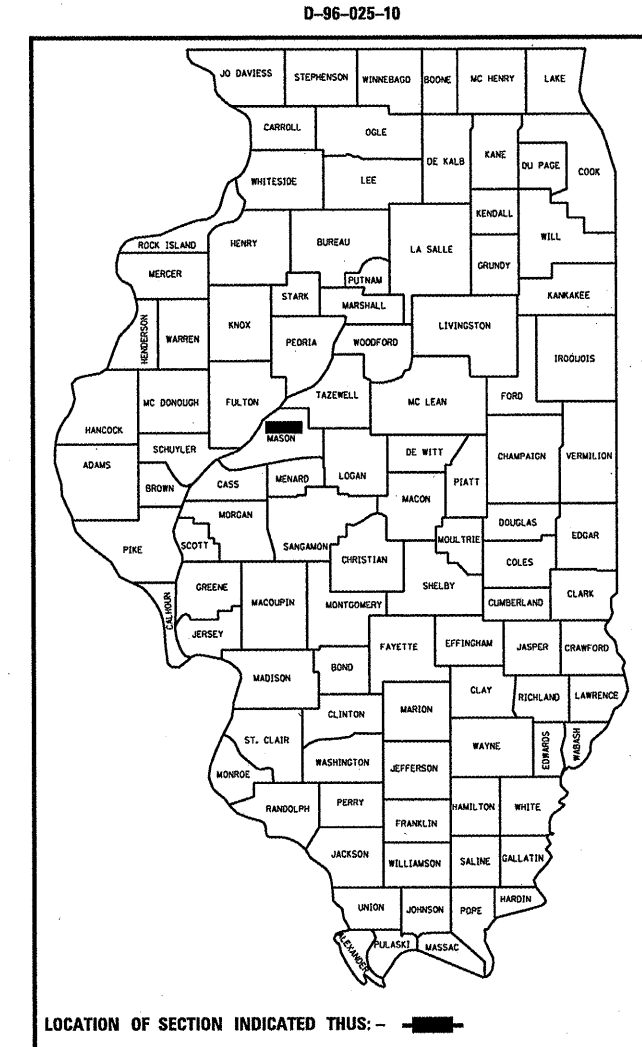
**PROPOSED
CONTRACT MAINTENANCE**

FAP 315 (US 136)
SECTION 123 RS-7

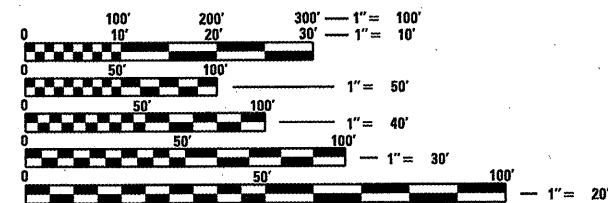
MASON COUNTY

F.A.P. RTE.	SECTION	COUNTY	TOTAL SHEETS	SHEET NO.
315	123 RS-7	MASON	9	1
FED. ROAD DIST. NO.		ILLINOIS	CONTRACT NO. 72D85	

FOR INDEX OF SHEETS, SEE SHEET NO. 2



A.D.T. = 3,450 (375)



FULL SIZE PLANS HAVE BEEN PREPARED USING STANDARD ENGINEERING SCALES. REDUCED SIZED PLANS WILL NOT CONFORM TO STANDARD SCALES. IN MAKING MEASUREMENTS ON REDUCED PLANS, THE ABOVE SCALES MAY BE USED.

J.U.L.I.E.
JOINT UTILITY LOCATION INFORMATION FOR EXCAVATION
1-800-892-0123
OR 811

PLAN AND CONTRACT TECHNICIAN
TIMOTHY SHARP (217)782-7743

CONTRACT NO. 72D85

STATE OF ILLINOIS
DEPARTMENT OF TRANSPORTATION
DIVISION OF HIGHWAYS

SUBMITTED January 5 20 11
Roger Z. Smith
DEPUTY DIRECTOR OF HIGHWAYS, REGION ENGINEER

Feb 4 20 11
Scott E. Smith, P.E.
ENGINEER OF DESIGN AND ENVIRONMENT

Feb 4 20 11
Christine M. Reed
DIRECTOR OF HIGHWAYS, CHIEF ENGINEER

PRINTED BY THE AUTHORITY
OF THE STATE OF ILLINOIS

INDEX

- 1 COVER
- 2 INDEX/STANDARDS/SIGNATURES
- 3-4 QUANTITIES
- 5 LOCATION MAP
- 6-7 TYPICAL SECTIONS
- 8 SCHEDULES
- 9 BUTT JOINT DETAILS

STANDARDS

- 701001-02
- 701006-03
- 701201-04
- 701301-04
- 701306-03
- 701311-03
- 701901-01
- 780001-02
- 781001-03

STATE OF ILLINOIS DEPARTMENT OF TRANSPORTATION DIVISION OF HIGHWAYS DISTRICT 6	
EXAMINED	<u>Jan 4</u> 20 <u>11</u> <u>Orin Walker</u> ENGINEER OF OPERATIONS
EXAMINED	<u>DEC 22</u> 20 <u>10</u> <u>Jimmy Felt</u> ENGINEER OF PROJECT IMPLEMENTATION
EXAMINED	<u>December 22</u> 20 <u>10</u> <u>ARML</u> ENGINEER OF PROGRAM DEVELOPMENT

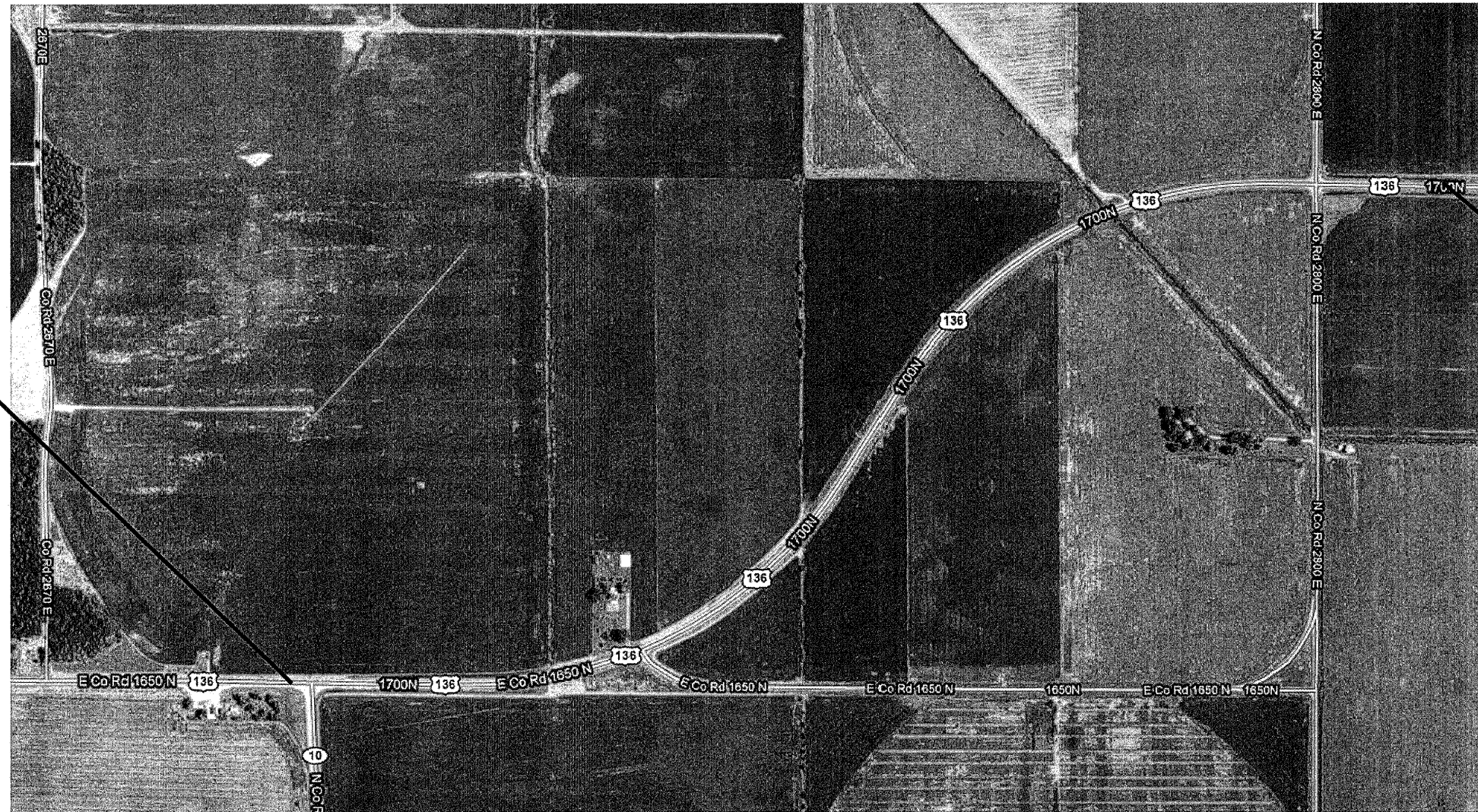
INDEX/STANDARDS/SIGNATURES
FAP 315 (US 136)
SECTION 123 RS-7
MASON COUNTY

S U M M A R Y O F Q U A N T I T I E S

CODE NO.	ITEM	UNIT	100% STATE
			0005
			TOTAL QTY
40600200	BITUMINOUS MATERIALS (PRIME COAT)	TON	7.0
40600300	AGGREGATE (PRIME COAT)	TON	36.6
40600895	CONSTRUCTING TEST STRIP	EACH	1
40600990	TEMPORARY RAMP	SQ YD	27
40603315	HOT-MIX ASPHALT SURFACE COURSE, MIX "C", N70	TON	1,535
44000155	HOT-MIX ASPHALT SURFACE REMOVAL, 1 1/2"	SQ YD	18,267
48101200	AGGREGATE SHOULDERS, TYPE B	TON	522
67100100	MOBILIZATION	L SUM	1
70100450	TRAFFIC CONTROL AND PROTECTION, STANDARD 701201	L SUM	1
70100460	TRAFFIC CONTROL AND PROTECTION, STANDARD 701306	L SUM	1

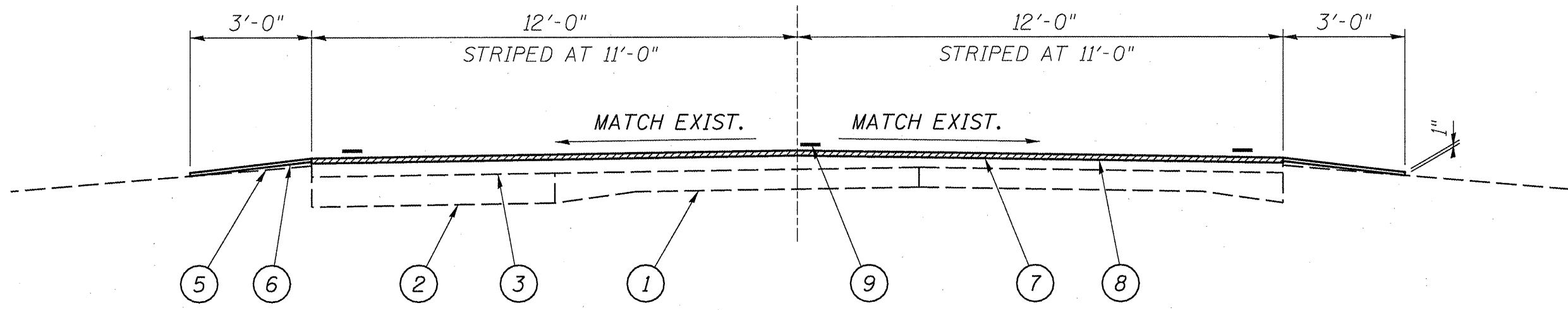
QUANTITIES
FAP 315 (US 136)
SECTION 123 RS-7
MASON COUNTY

BEGIN PROJECT
STA. 573+00



END PROJECT
STA. 641+50

LOCATION MAP
FAP 315 (US 136)
SECTION 123 RS-7
MASON COUNTY

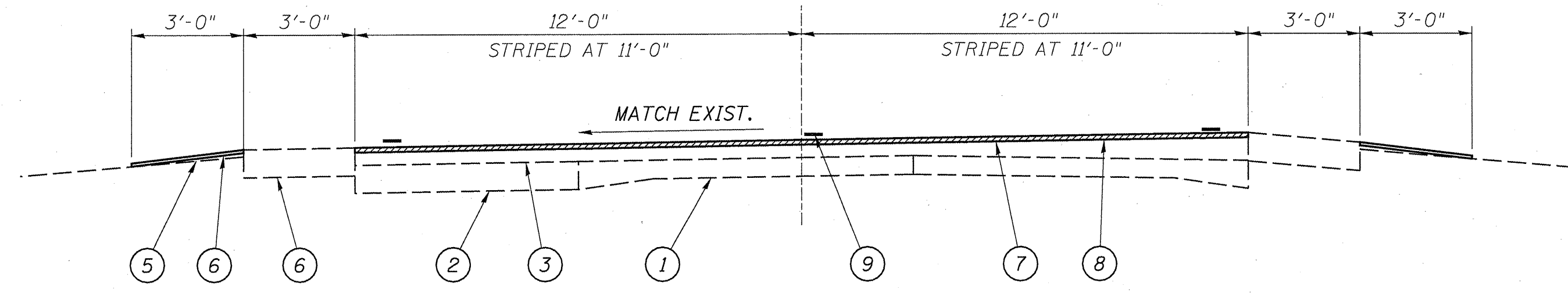


STA. 573+00 TO 581+38.70
STA. 606+13.78 TO 611+74
STA. 635+34 TO 641+50

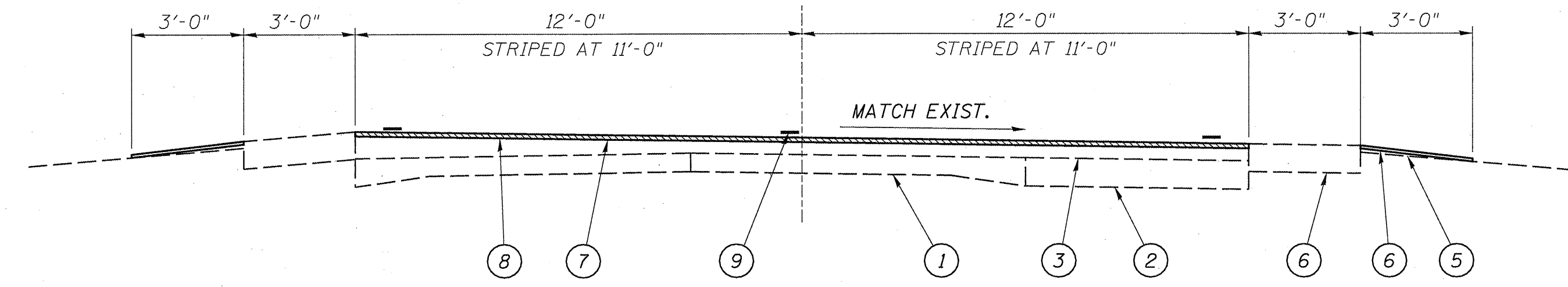
LEGEND

- 1 - EXIST. P.C.C. PAVEMENT 9-6-9
- 2 - EXIST. P.C.C. BASE COURSE WIDENING 9"
- 3 - EXIST. HOT-MIX ASPHALT SURFACE
- 4 - EXIST. HOT-MIX ASPHALT SHOULDER
- 5 - EXIST. AGGREGATE SHOULDERS
- 6 - PROP. AGGREGATE SHOULDERS, TYPE B
- 7 - PROP. HOT-MIX ASPHALT SURFACE REMOVAL 1 1/2"
- 8 - PROP. HOT-MIX ASPHALT SURFACE COURSE, MIX C, N70 1 1/2"
- 9 - PROP. PAINT PAVEMENT MARKING - LINE 5"

TYPICALS
FAP 315 (US 136)
SECTION 123 RS-7
MASON COUNTY



STA. 581+38.70 TO 606+13.78



STA. 611+74 TO 635+34

LEGEND

- 1 - EXIST. P.C.C. PAVEMENT 9-6-9
- 2 - EXIST. P.C.C. BASE COURSE WIDENING 9"
- 3 - EXIST. HOT-MIX ASPHALT SURFACE
- 4 - EXIST. HOT-MIX ASPHALT SHOULDER
- 5 - EXIST. AGGREGATE SHOULDERS
- 6 - PROP. AGGREGATE SHOULDERS, TYPE B
- 7 - PROP. HOT-MIX ASPHALT SURFACE REMOVAL 1 1/2"
- 8 - PROP. HOT-MIX ASPHALT SURFACE COURSE, MIX C, N70 1 1/2"
- 9 - PROP. PAINT PAVEMENT MARKING - LINE 5"

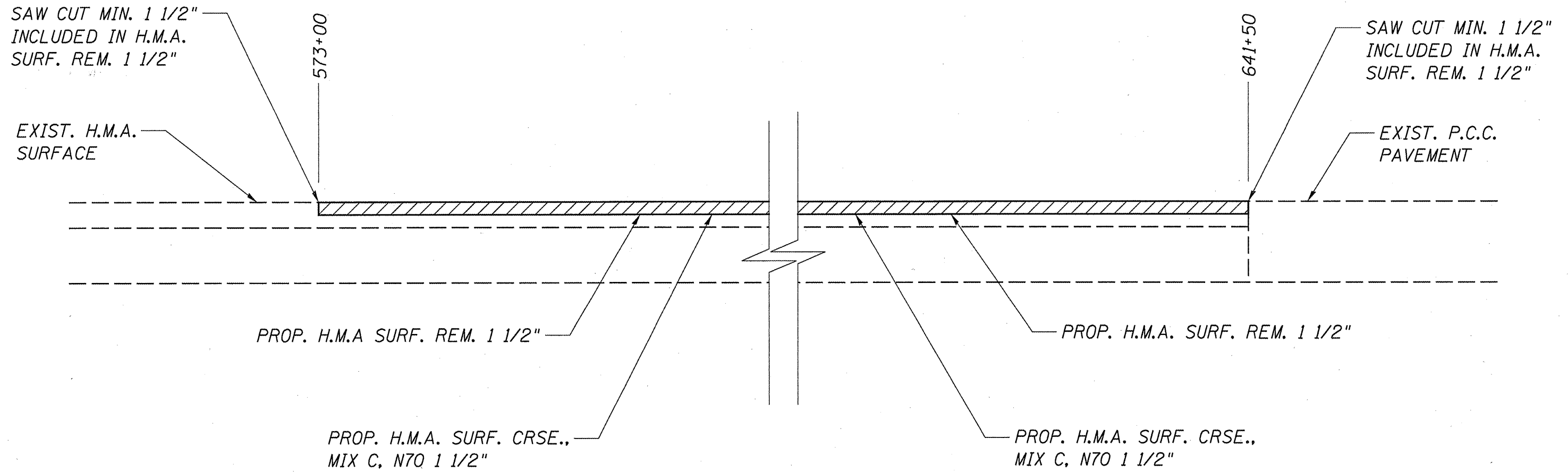
TYPICALS
FAP 315 (US 136)
SECTION 123 RS-7
MASON COUNTY

PAVEMENT MARKING SCHEDULE			
STATION	TYPE	PAINT PVT MK LINE 5"	
		WHITE	YELLOW
LT & RT 573+00 TO 641+50	EDGE LINE	13,700 FT	
STA. 573+00 TO 641+50	SKIP DASH		1,720 FT
TOTALS		13,700 FT	1,720 FT

MIXTURE REQUIREMENTS	
THE FOLLOWING MIXTURE REQUIREMENTS ARE APPLICABLE FOR THIS PROJECT	
MIXTURE USE(S):	H.M.A S.C., MIX C, N70
AC/PG	PG 64-22
DESIGN AIR VOIDS:	4.0% @ N DESIGN = 70
MIXTURE COMP:	IL 9.5 OR 12.5
FRICTION AGG:	MIX "C"

NOTES:
STATIONS ARE APPROXIMATE.

SCHEDULES
FAP 315 (US 136)
SECTION 123 RS-7
MASON COUNTY



BUTT JOINT
FAP 315 (US 136)
SECTION 123 RS-7
MASON COUNTY