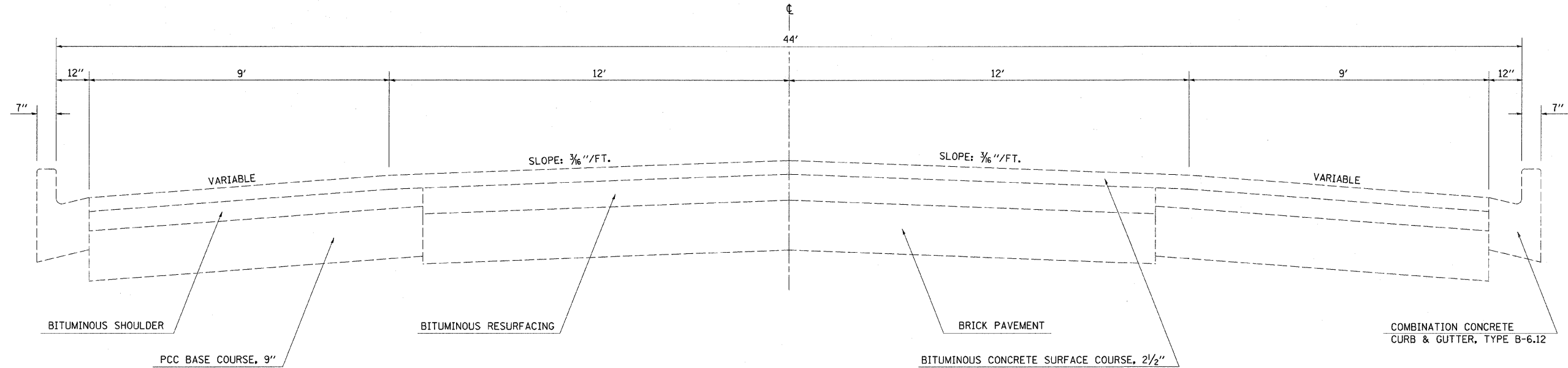


EXISTING TYPICAL CROSS SECTION

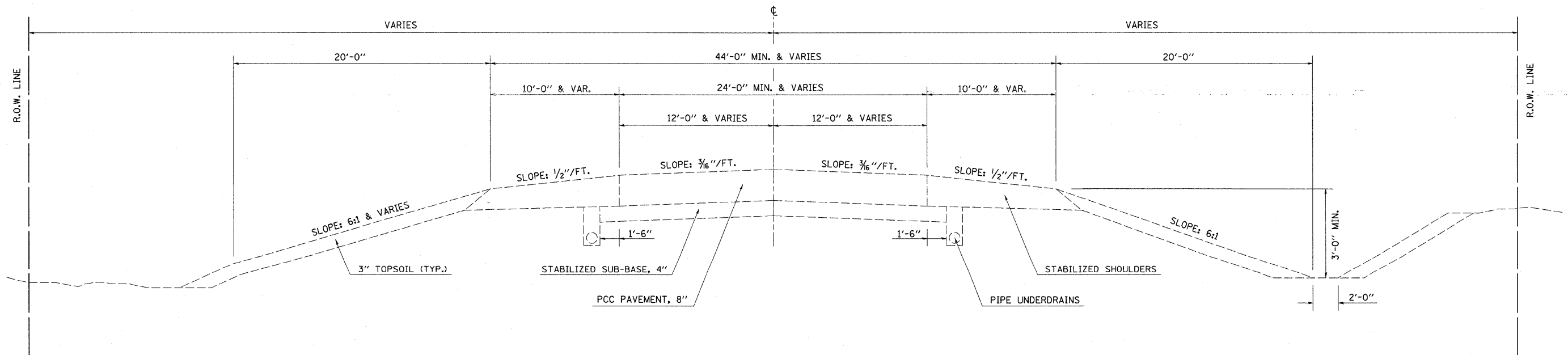
STA. 1+00 TO STA. 19+63  
STA. 20+06 TO STA. 22+55



NOTE: NOT DRAWN TO A SPECIFIC SCALE

EXISTING TYPICAL CROSS SECTION

STA. 65+60.00 TO STA. 100+00.00



NOTE: NOT DRAWN TO A SPECIFIC SCALE

FILE NAME =	USER NAME = swartzrw	DESIGNED -	REVISED -	<b>STATE OF ILLINOIS DEPARTMENT OF TRANSPORTATION</b>	<b>EXISTING TYPICAL CROSS SECTION</b>			F.A.P. RTE.	SECTION	COUNTY	TOTAL SHEETS	SHEET NO.	
c:\p\work\p\dot\swartzrw\448177935\477	448-shr-typicals.dgn	DRAWN -	REVISED -		SCALE: NA	SHEET NO. 2 OF 6 SHEETS	STA.	TO STA.	328	104 RS-4	WAYNE	77	7
	PLOT SCALE = 20.0000' / IN.	CHECKED -	REVISED -										
	PLOT DATE = 12/27/2010	DATE -	REVISED -										
ILLINOIS FED. AID PROJECT													