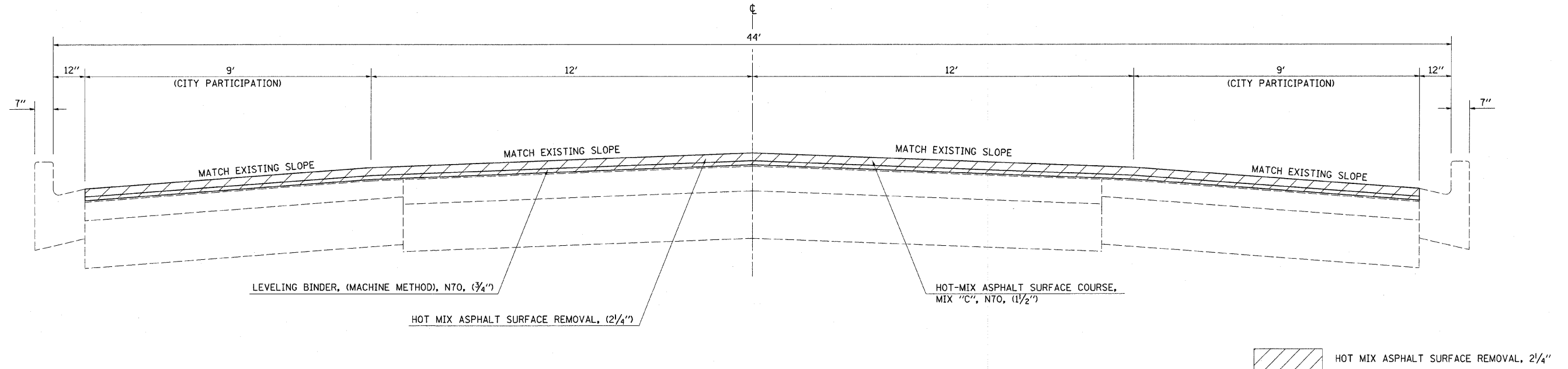


PROPOSED TYPICAL CROSS SECTION

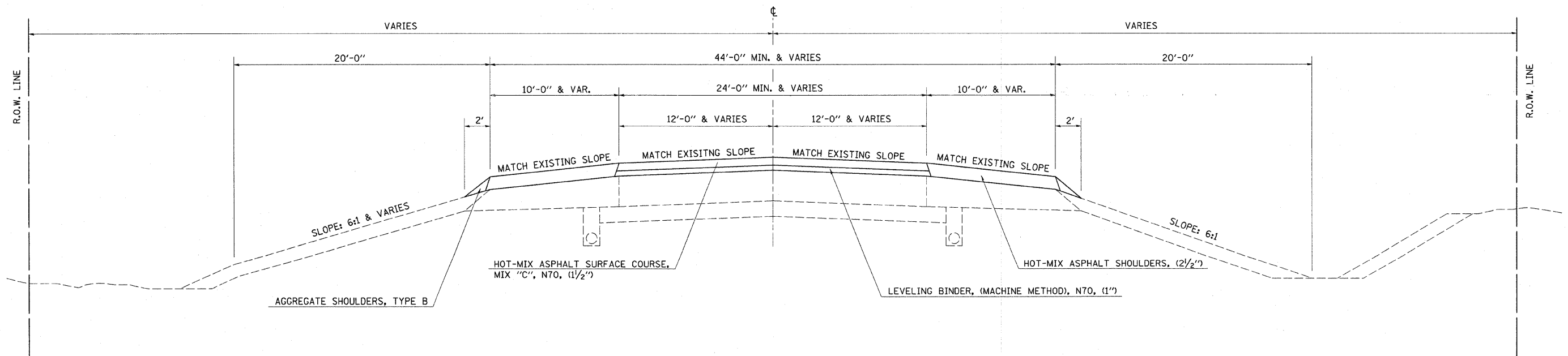
STA. 1+00 TO STA. 19+63
STA. 20+06 TO STA. 22+55



NOTE: NOT DRAWN TO A SPECIFIC SCALE

PROPOSED TYPICAL CROSS SECTION

STA. 65+60.00 TO STA. 100+00.00



NOTE: NOT DRAWN TO A SPECIFIC SCALE

FILE NAME =	USER NAME = swartzw	DESIGNED -	REVISED -	STATE OF ILLINOIS DEPARTMENT OF TRANSPORTATION	PROPOSED TYPICAL CROSS SECTION			F.A.P. RTE.	SECTION	COUNTY	TOTAL SHEETS	SHEET NO.	
c:\pwwork\pwwork\swartzw\177935\d77	448-ah-typical.dgn	DRAWN -	REVISED -		328	104 RS-4	WAYNE	77	10				
PLOT SCALE = 20,0000 ' / IN.		CHECKED -	REVISED -		SCALE: NA			SHEET NO. 5 OF 6 SHEETS		STA. TO STA.		CONTRACT NO. 74448	
PLOT DATE = 12/27/2010		DATE -	REVISED -		ILLINOIS FED. AID PROJECT								