

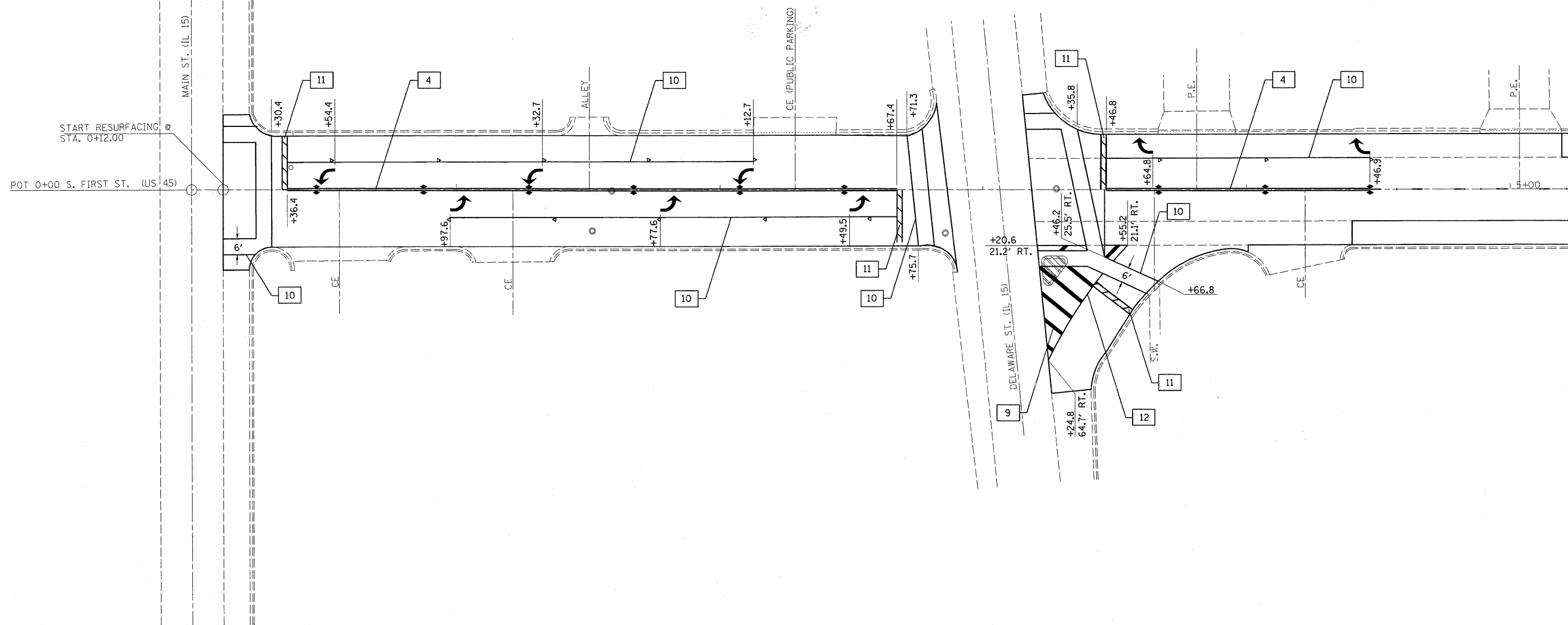


PAVEMENT MARKING LEGEND

- | | |
|-----------------------------------|--|
| 1 4" (100) SKIP-DASH (YELLOW) | 8 4" (100) SOLID (WHITE) |
| 2 4" (100) SOLID (YELLOW) | 9 12" (300) DIAGONAL (WHITE) |
| 3 12" (300) DIAGONAL (YELLOW) | 10 6" (150) SOLID (WHITE) |
| 4 4" (100) DOUBLE YELLOW (NARROW) | 11 24" (600) STOP BAR (WHITE) |
| 5 RESERVED | 12 8" (200) SOLID (WHITE) |
| 6 RESERVED | 13 6" (150) LANE LINE EXTENSIONS (WHITE) |
| 7 6" (100) SKIP-DASH (WHITE) | |

TYPICAL PAVEMENT MARKERS LEGEND

- ◆ TWO-WAY AMBER MARKER
- ▶ ONE-WAY AMBER MARKER
- ▷ ONE-WAY CRYSTAL MARKER



FILE NAME =	USER NAME = swartzw	DESIGNED -	REVISED -
a:\pwork\pwork\swartzw\d0177935\d77448-shr-striping.dgn		DRAWN -	REVISED -
		CHECKED -	REVISED -
		DATE -	REVISED -

**STATE OF ILLINOIS
DEPARTMENT OF TRANSPORTATION**

STRIPING DETAIL			
SCALE: 20	SHEET NO. 1 OF 1 SHEETS	STA. 0+00	TO STA. 5+00

F.A.P. RTE.	SECTION	COUNTY	TOTAL SHEETS	SHEET NO.
328	104 RS-4	WAYNE	77	41
ILLINOIS FED. AID PROJECT				

CONTRACT NO. 74448