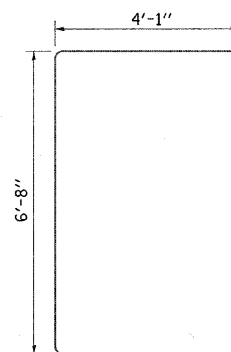


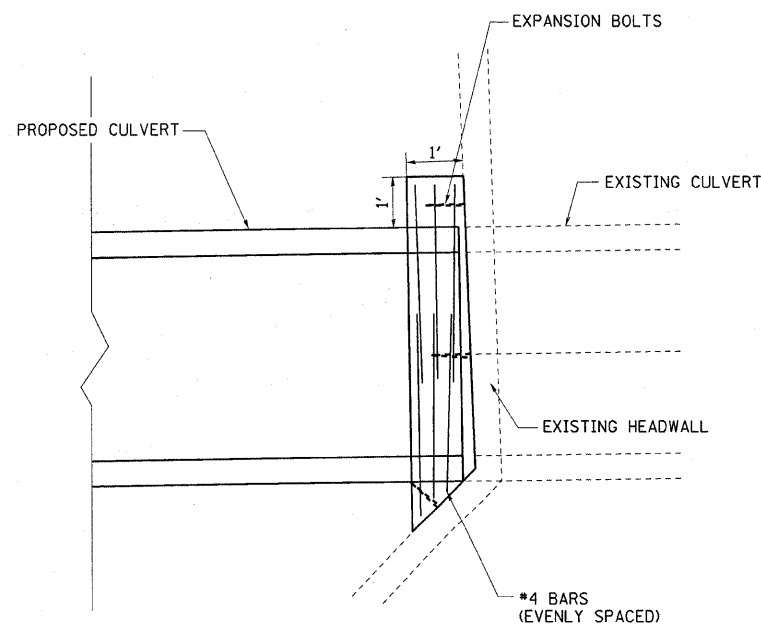
CULVERT PLAN VIEW



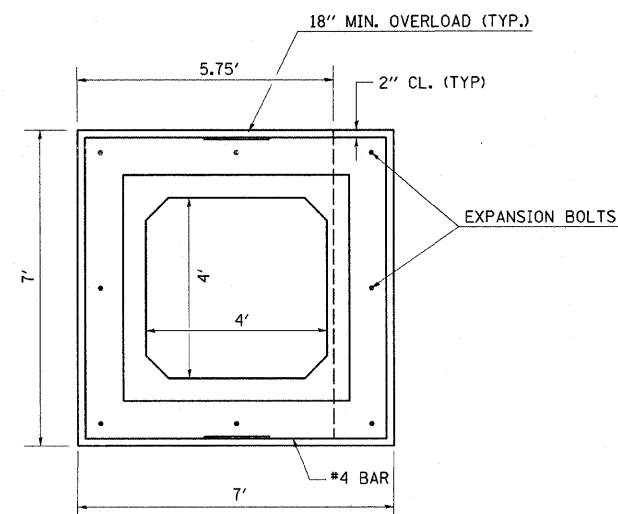
BAR DETAIL

BILL OF MATERIALS

| | |
|---------------------------|-------------|
| PRECAST BOX CULVERT, 4 X4 | 11.8 FOOT |
| PRECAST END SECTION | 1.0 EACH |
| EXPANSION BOLTS, 3/4" | 7.0 EACH |
| CONCRETE COLLAR | 0.8 CU. YD. |
| REINFORCEMENT BARS | 60 LBS. |



COLLAR PLAN VIEW



CULVERT & COLLAR END SECTION

| | | | |
|--|---------------------|------------|-----------|
| FILE NAME = | USER NAME = swartzw | DESIGNED - | REVISED - |
| c:\piv_work\pivdot\swartzw\108177935\1077448-shr-details.dgn | | DRAWN - | REVISED - |
| PLOT SCALE = 20.0000' / IN. | | CHECKED - | REVISED - |
| PLOT DATE = 12/27/2010 | | DATE - | REVISED - |

**STATE OF ILLINOIS
DEPARTMENT OF TRANSPORTATION**

CULVERT AND COLLAR DETAILS

SCALE: NA SHEET NO. 1 OF 8 SHEETS STA. TO STA.

| F.A.P. RTE. | SECTION | COUNTY | TOTAL SHEETS | SHEET NO. |
|--------------------|----------|--------|---------------------------|-----------|
| 328 | 104 RS-4 | WAYNE | 77 | 42 |
| CONTRACT NO. 74448 | | | ILLINOIS FED. AID PROJECT | |