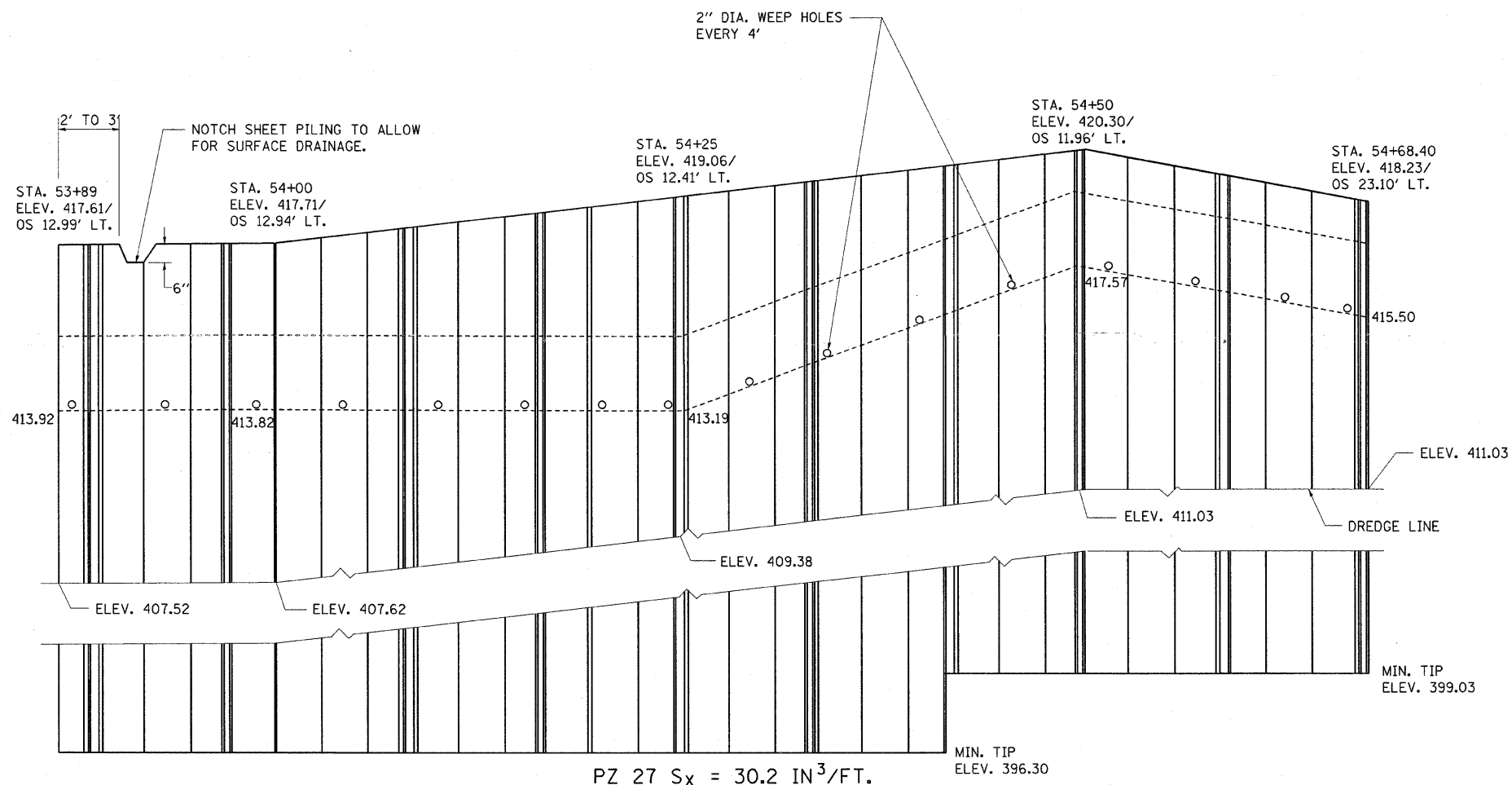
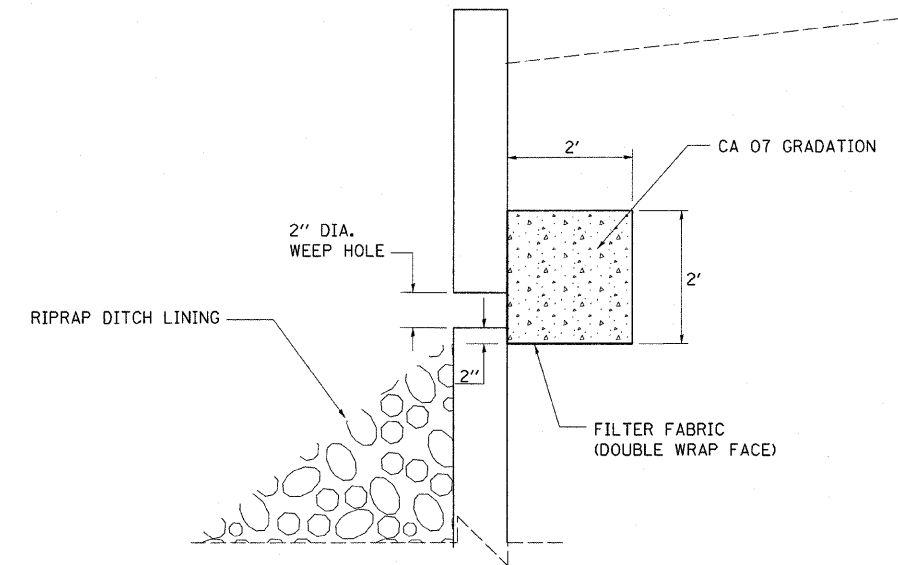
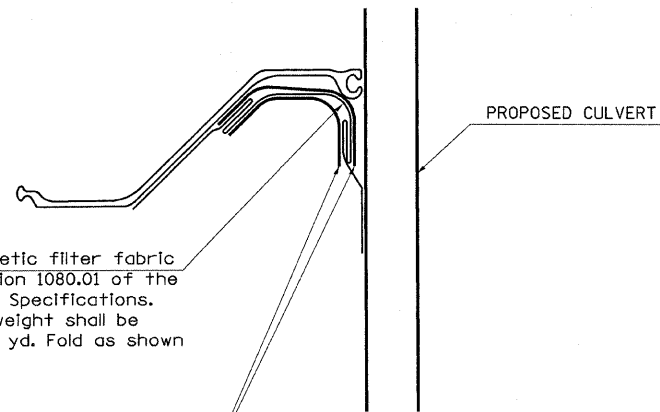


Geosynthetic filter fabric per Section 1080.01 of the Standard Specifications. Minimum weight shall be 4 oz./sq. yd. Fold as shown

1/4" x 12" WIRE FABRIC REINFORCED ELASTOMERIC MAT PER SECTION 1028 OF THE STANDARD SPECIFICATIONS



BILL OF MATERIALS		
ITEM	UNIT	QUANTITY
PERMANENT STEEL SHEET PILING	SQ.FT.	1684

THE COST OF THE ELASTOMERIC MAT, FILTER FABRIC AND CAST FOR WALL DRAIN SHALL BE INCLUDED IN THE COST OF THE PERMANENT STEEL SHEET PILING.