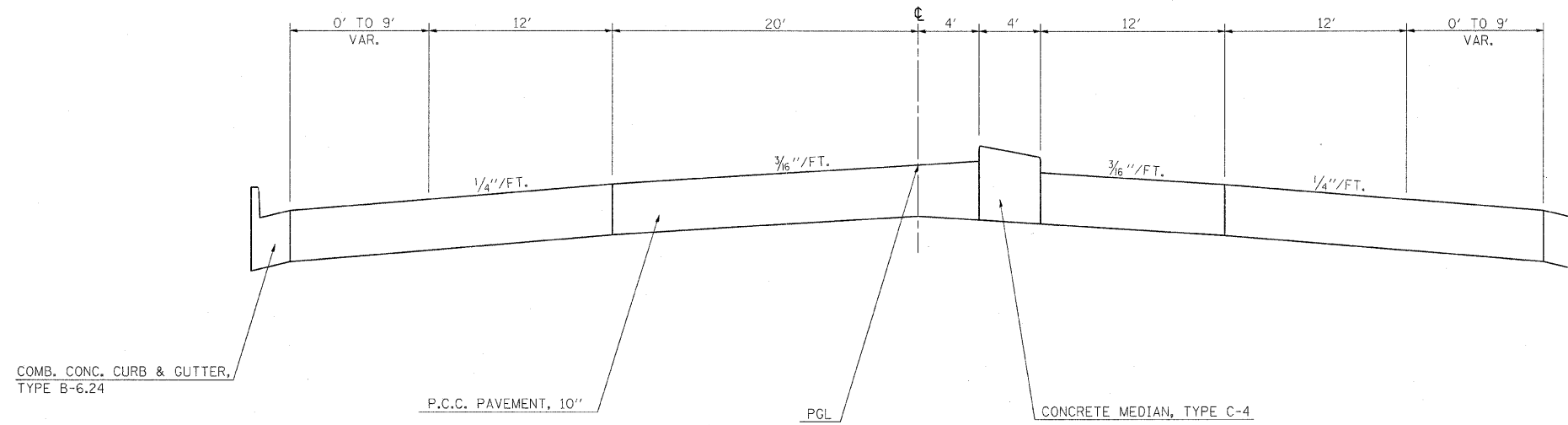


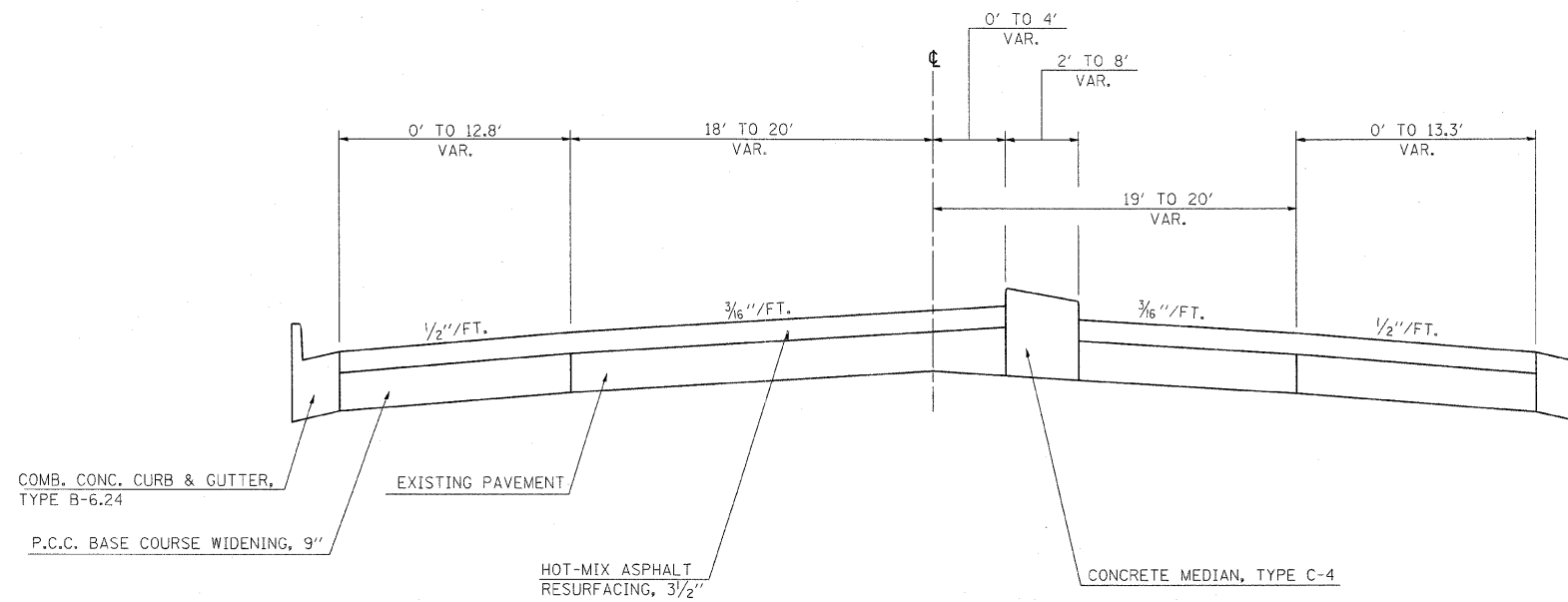
① EXISTING TYPICAL CROSS SECTION

STA. 99+22.71 TO STA. 100+22.27
(PAVING OMISSION)



② EXISTING TYPICAL CROSS SECTION

STA. 100+22.27 TO STA. 101+83.12



FILE NAME =	USER NAME = swartzw	DESIGNED -	REVISED -	STATE OF ILLINOIS DEPARTMENT OF TRANSPORTATION	EXISTING CROSS SECTIONS			F.A.P. RTE.	SECTION	COUNTY	TOTAL SHEETS	SHEET NO.
c:\p\work\p\dot\swartzw\d0185396\d77454-shr-typical.dgn		DRAWN -	REVISED -		95	18-Z RS-2	EFFINGHAM	32	4			
PLOT SCALE = 50.0000 "/td> <td></td> <td>CHECKED -</td> <td>REVISED -</td> <td colspan="4" style="text-align: center;">CONTRACT NO. 74454</td>		CHECKED -	REVISED -		CONTRACT NO. 74454							
PLOT DATE = 12/13/2010		DATE -	REVISED -		ILLINOIS FED. AID PROJECT							
				SCALE: NA	SHEET NO. 1 OF 4 SHEETS	STA.	TO STA.					