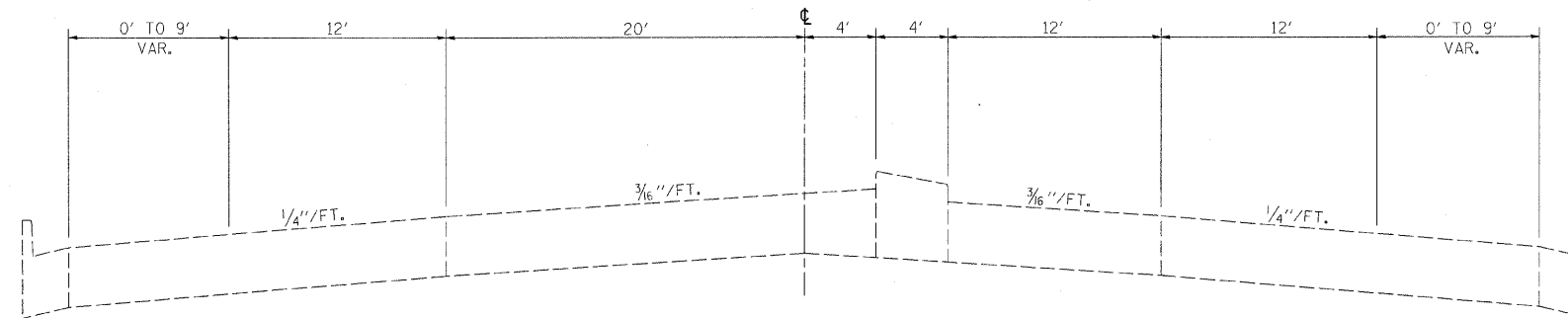
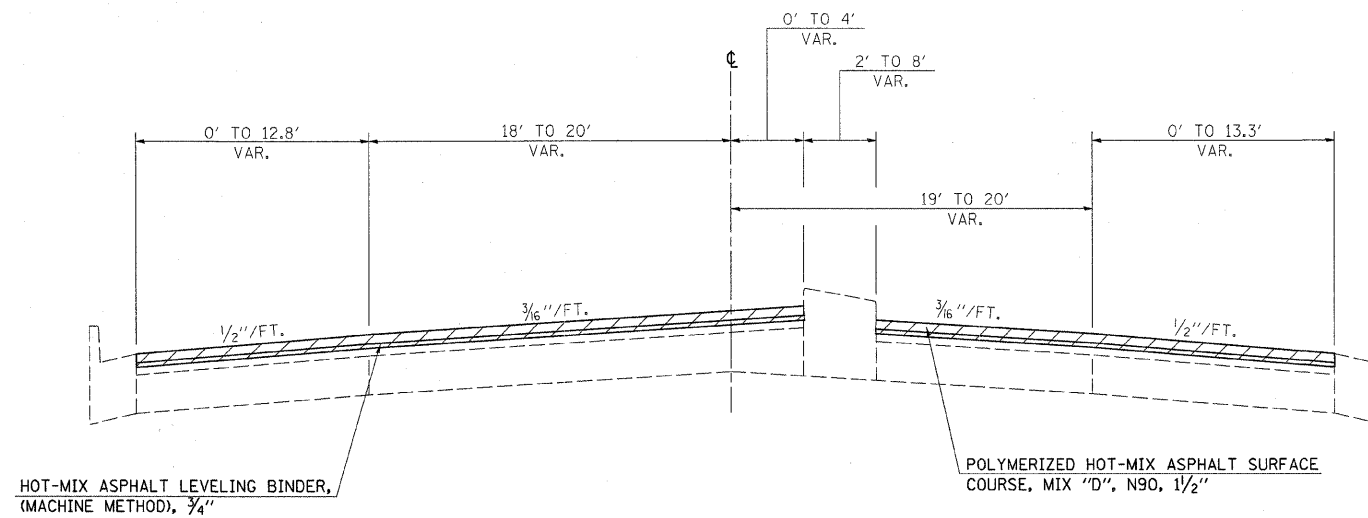


① PROPOSED TYPICAL CROSS SECTION
 STA. 99+22.71 TO STA. 100+22.27
 (PAVING OMISSION)



② PROPOSED TYPICAL CROSS SECTION
 STA. 100+22.27 TO STA. 101+83.12



HOT-MIX ASPHALT LEVELING BINDER,
 (MACHINE METHOD), 3/4"

POLYMERIZED HOT-MIX ASPHALT SURFACE
 COURSE, MIX "D", N90, 1 1/2"

 HOT-MIX ASPHALT
 SURFACE REMOVAL, 2 1/4"

FILE NAME = c:\pwork\pwork\swartzr\10185396\d77	USER NAME = swa-tzrw	DESIGNED -	REVISED -	STATE OF ILLINOIS DEPARTMENT OF TRANSPORTATION	PROPOSED CROSS SECTIONS		F.A.P. RTE.	SECTION	COUNTY	TOTAL SHEETS	SHEET NO.
	PLOT SCALE = 50,0000 ' / IN.	DRAWN -	REVISED -				95	18-Z RS-2	EFFINGHAM	32	6
PLOT DATE = 12/13/2010	DATE -	CHECKED -	REVISED -	SCALE: NA SHEET NO. 3 OF 4 SHEETS STA. TO STA.		ILLINOIS FED. AID PROJECT					