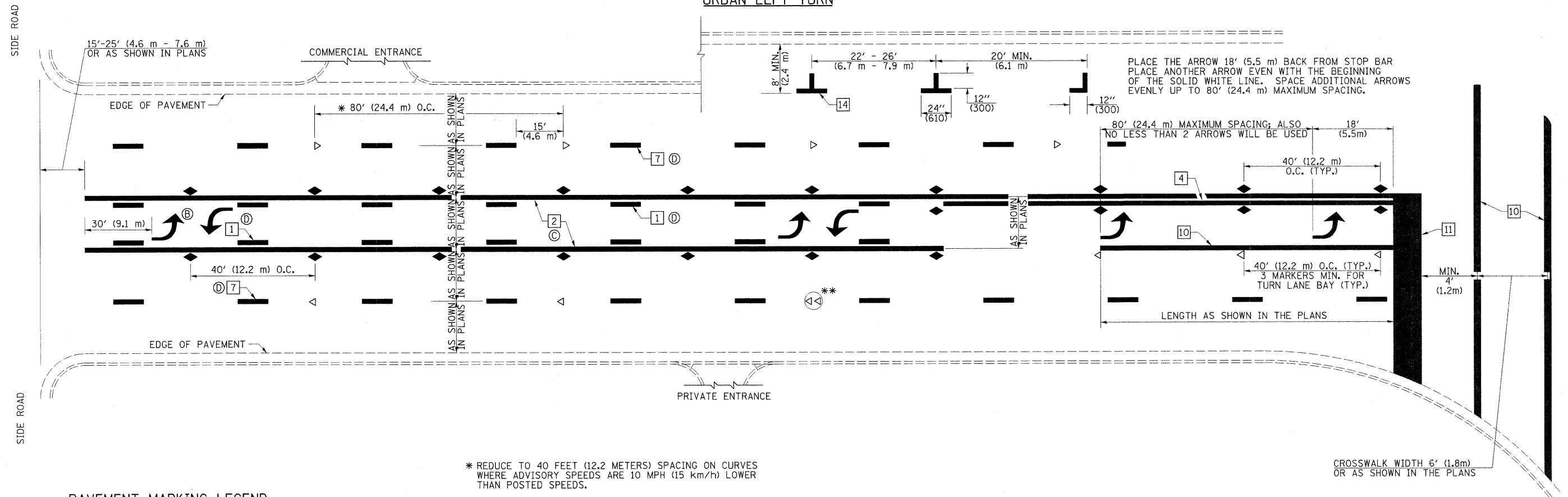
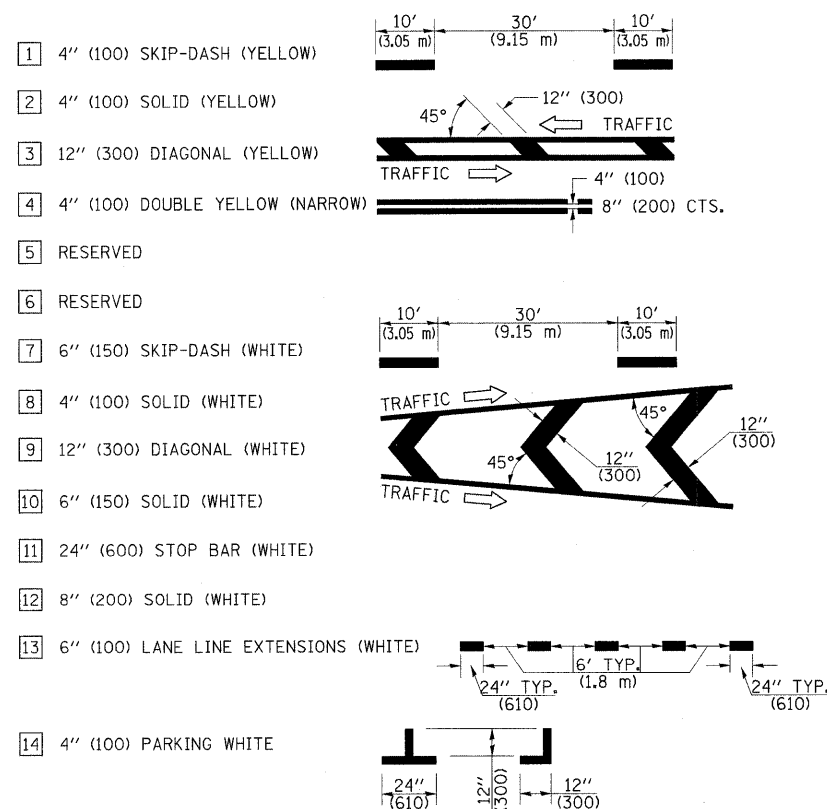


URBAN LEFT TURN



PAVEMENT MARKING LEGEND

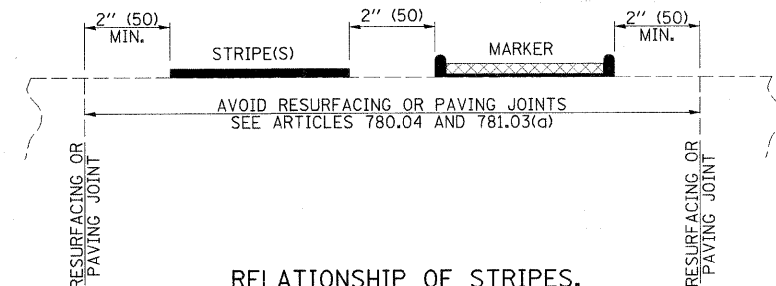


\* REDUCE TO 40 FEET (12.2 METERS) SPACING ON CURVES WHERE ADVISORY SPEEDS ARE 10 MPH (15 Km/h) LOWER THAN POSTED SPEEDS.

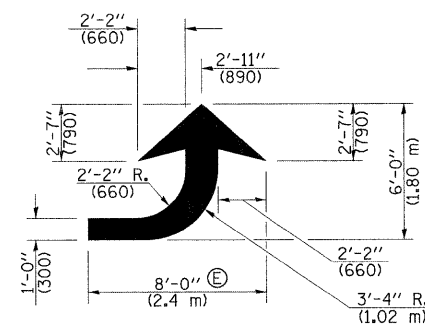
\*\* DOUBLE LANE LINE MARKERS SHALL BE SPECIFIED AND SPACED AS SHOWN IN HIGHWAY STANDARD 781001 FOR MULTI-LANE DIVIDED AND UNDIVIDED HIGHWAYS.

GENERAL NOTES

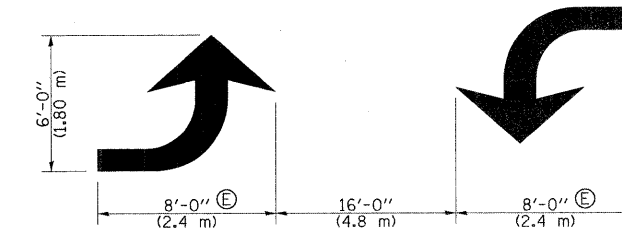
- (B) TURN ARROW PAIRS SHALL BE PLACED AT 250' (75 m) INTERVALS AND SHALL BE EVENLY SPACED BETWEEN BOTH ENDS OF THE BIDIRECTIONAL LEFT TURN LANE. USE A MINIMUM OF TWO PAIRS PER BLOCK.
- (C) THE SOLID YELLOW PAVEMENT MARKINGS [2] SHOULD GENERALLY START OR END NEAR THE RADIUS POINT OF EACH STREET RETURN EXCEPT WHERE ONE OR BOTH ENDS WOULD INCLUDE STOP BARS.
- (D) THE SKIP-DASH PAVEMENT MARKINGS [1] OR [7] SHOULD BE CENTERED BETWEEN BOTH ENDS OF EACH CITY BLOCK AND SHALL BE PLACED SO THEY LINE UP ACROSS FROM EACH OTHER.
- (E) USE LARGE ARROW SIZE FOR BOTH RURAL AND URBAN LOCATIONS. (SEE LAST PAGE OF SECTION 780x FOR SYMBOLS TABLE)



RELATIONSHIP OF STRIPES, MARKERS AND JOINTS



LEFT ARROW  
REVERSE FOR RIGHT ARROW  
AREA = 15.6 SQ. FT. (1.47 m<sup>2</sup>)  
(WHITE)



TYPICAL DOUBLE TURN ARROWS (WHITE)

NOT TO SCALE

Note: All dimensions are in INCHES (millimeters) unless otherwise shown.

DISTRICT 7 DETAIL NO. 78000001

FILE NAME =	USER NAME = mcellellonia	DESIGNED -	REVISED -	<b>STATE OF ILLINOIS DEPARTMENT OF TRANSPORTATION</b>	<b>PAVEMENT MARKING AND RAISED REFLECTIVE PAVEMENT MARKERS (RURAL &amp; URBAN APPLICATIONS)</b>	F.A.S. RTE.	SECTION	COUNTY	TOTAL SHEETS	SHEET NO.	
ca:\pw\work\pavidot\mcellellonia\98196565\0774480-TS-sht.dgn	74480-TS-sht.dgn	DRAWN -	REVISED -			1809	(2)TS-1	LAWRENCE	12	10	
PLOT SCALE = 20.0000' / IN.		CHECKED -	REVISED -			CONTRACT NO. 74480					
PLOT DATE = 12/28/2010		DATE -	REVISED -			ILLINOIS FED. AID PROJECT					