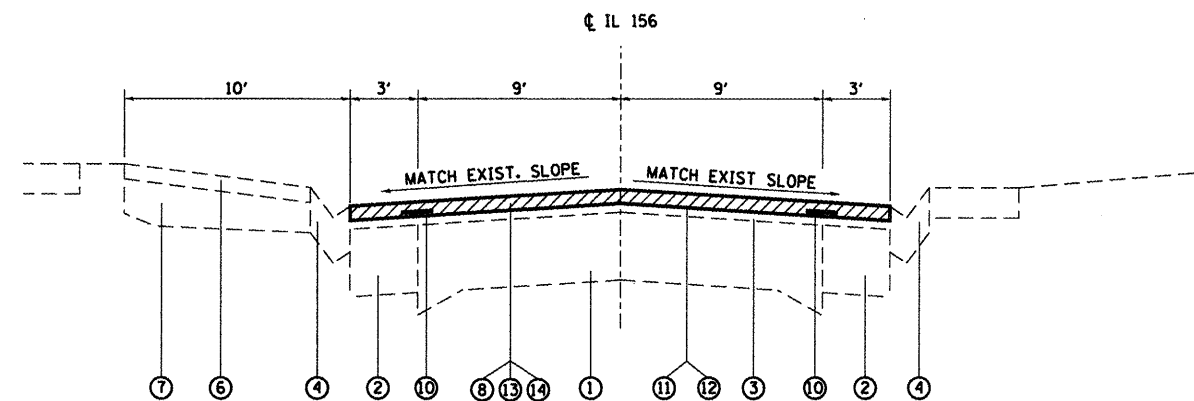
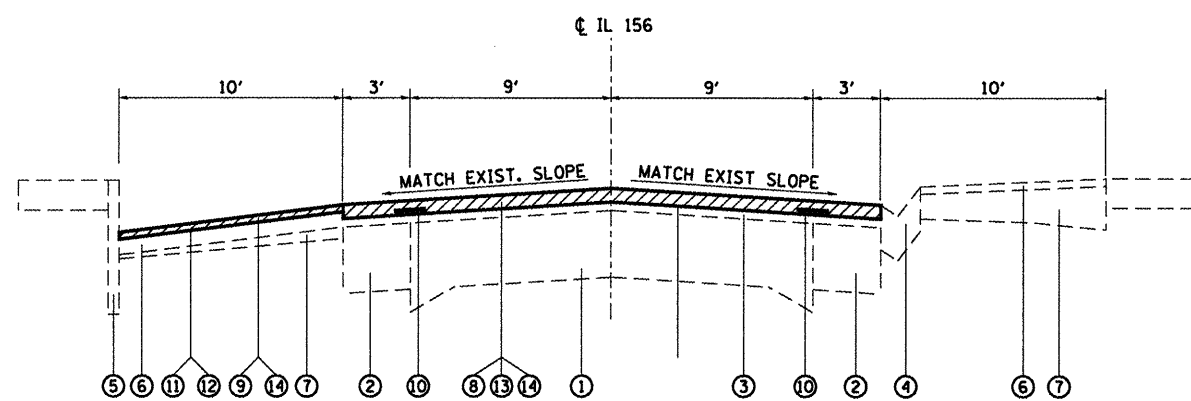


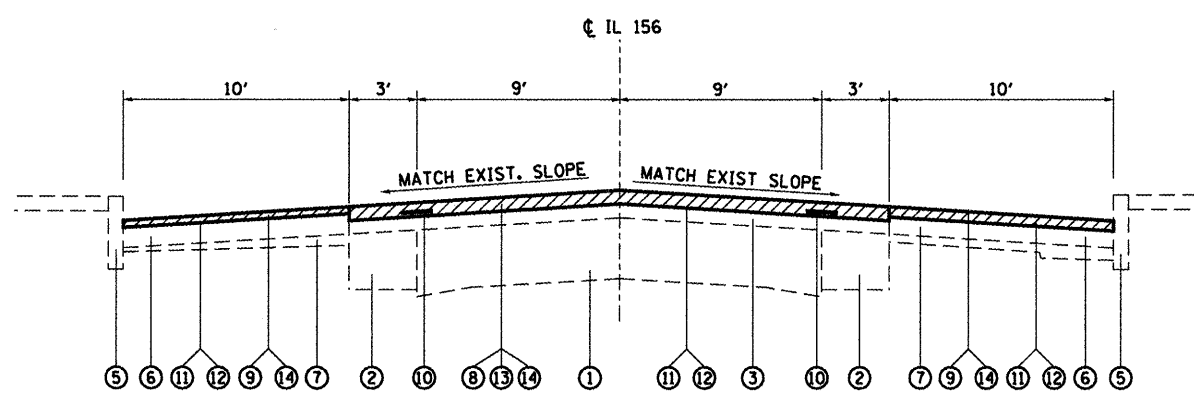
**TANGENT SECTION**  
 STA. 747+40 TO STA. 760+90  
 STA. 766+73 TO STA. 768+20



**TANGENT SECTION**  
 STA. 768+37 TO STA. 770+00



**TANGENT SECTION**  
 STA. 761+55 TO STA. 766+00



**TANGENT SECTION**  
 STA. 770+53 TO STA. 778+40

**MIXTURE REQUIREMENTS**

MIXTURE USE	SURFACE	POLY-LEVEL BINDER
AC/PG	PG 64-22	SBS 76-22
RAP % (MAX)	SEE SPEC.	SEE SPEC.
DESIGN AIR VOIDS	4.0% @ Ndes=70	4.0% @ Ndes=50
MIX COMPOSITION (GRADATION MIXTURE)	IL 12.5/9.5	IL 4.75
FRICTION AGG	MIXTURE "D"	MIXTURE "C"

•• TOP LIFT SHOULDERS - DESIGN THIS MIX AT 2.0% VOIDS AND ADD ASPHALT TO REDUCE VOIDS TO 1.5%.

PLAN QUANTITIES FOR HOT-MIX ASPHALT CONCRETE SURFACE COURSE ITEMS ARE CALCULATED USING A UNIT WEIGHT OF 112 LB/SQ YD/IN.

**LEGEND**

- ① EXISTING PAVEMENT
- ② EXISTING HOT-MIX ASPHALT WIDENING, 9"
- ③ EXISTING HOT-MIX ASPHALT RESURFACING, ±3"
- ④ EXISTING CONCRETE GUTTER, TYPE B
- ⑤ EXISTING CONCRETE CURB, TYPE B
- ⑥ EXISTING HOT-MIX ASPHALT PARKING LANE - ±3"
- ⑦ EXISTING AGGREGATE BASE COURSE, TYPE A - 6"
- ⑧ PROPOSED HOT-MIX ASPHALT SURFACE REMOVAL, 2 1/4"
- ⑨ PROPOSED HOT-MIX ASPHALT SURFACE REMOVAL, 1 1/2"
- ⑩ PROPOSED STRIP REFLECTIVE CRACK CONTROL
- ⑪ PROPOSED BITUMINOUS MATERIALS PRIME COAT
- ⑫ PROPOSED AGGREGATE (PRIME COAT)
- ⑬ PROPOSED POLYMERIZED LEVELING BINDER (MACHINE METHOD), 3/4"
- ⑭ PROPOSED HOT-MIX ASPHALT SURFACE COURSE, 1 1/2"

**NOTES:**

1. PROPOSED CONCRETE GUTTER TO BE REMOVED AND REPLACED AT LOCATIONS:  
 STA. 754+80 TO STA. 755+00 LT  
 STA. 765+00 TO STA. 765+90 RT
2. PROPOSED CONCRETE CURB TO BE REMOVED AND REPLACED AT LOCATION:  
 STA. 775+00 TO STA. 776+60 LT

FILE NAME =  
 #FILE#

USER NAME = #USER#

DESIGNED -

REVISED -

PLOT SCALE = #SCALE#

DRAWN -

REVISED -

PLOT DATE = #DATE#

CHECKED -

REVISED -

DATE -

REVISED -

**STATE OF ILLINOIS  
 DEPARTMENT OF TRANSPORTATION**

**TYPICAL SECTIONS**

SCALE:

SHEET NO. 1 OF 1 SHEETS

STA.

TO STA.

F.A.P. RTE.	SECTION	COUNTY	TOTAL SHEETS	SHEET NO.
829	103RS	MONROE	16	4
<b>CONTRACT NO. 76098</b>				
FED. ROAD DIST. NO. ILLINOIS FED. AID PROJECT				