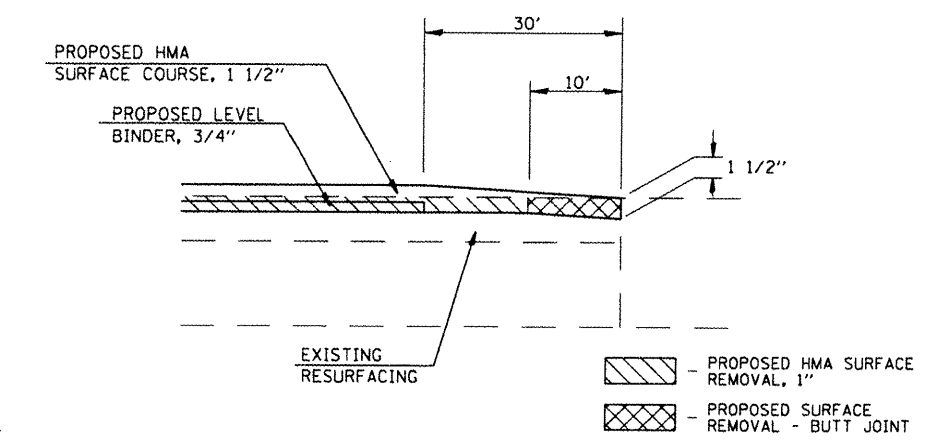
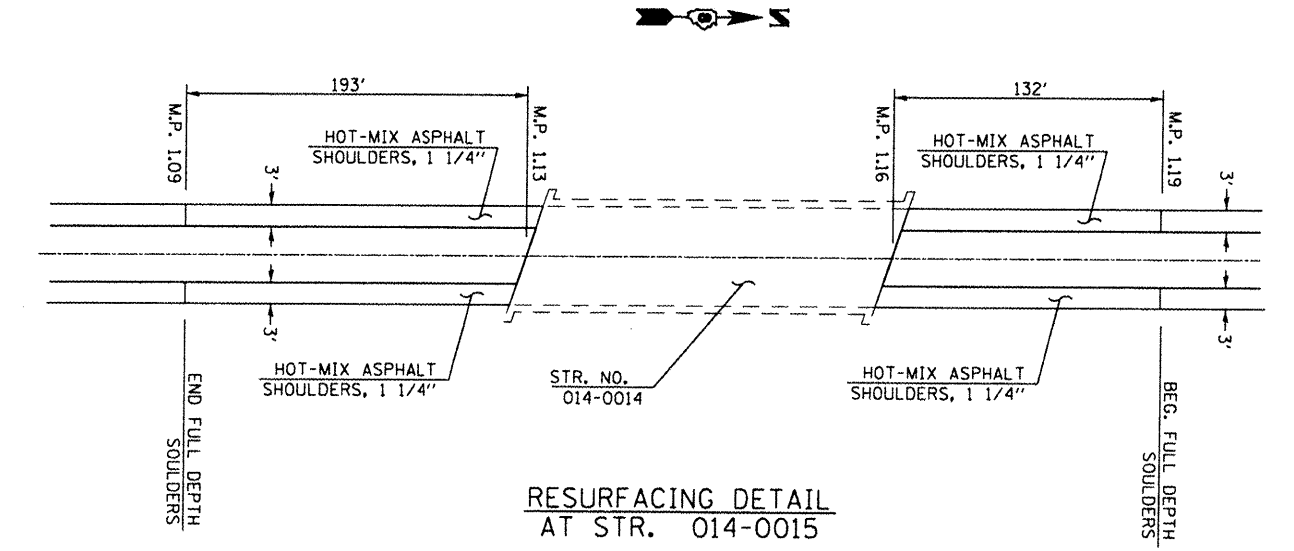


RESURFACING DETAIL  
AT IL 161



RESURFACING TRANSITION  
ON IL 161



RESURFACING DETAIL  
AT STR. 014-0015



FILE NAME	USER NAME	DESIGNED	REVISED	<b>STATE OF ILLINOIS</b> <b>DEPARTMENT OF TRANSPORTATION</b>	<b>DETAILS</b>	P.A.P. SITE: 42 SECTION: 130,1RS-5 COUNTY: CLINTON TOTAL SHEETS: 26 SHEET NO.: 22 CONTRACT NO. 76E11
FILE#	#USER#	DRAWN	REVISED			
PLOT SCALE	#SCALE#	CHECKED	REVISED			
PLOT DATE	#DATE#	DATE	REVISED			
SCALE: _____ SHEET NO. _____ OF _____ SHEETS STA. _____ TO STA. _____				FED. ROAD DIST. NO. _____ ILLINOIS FED. AID PROJECT		