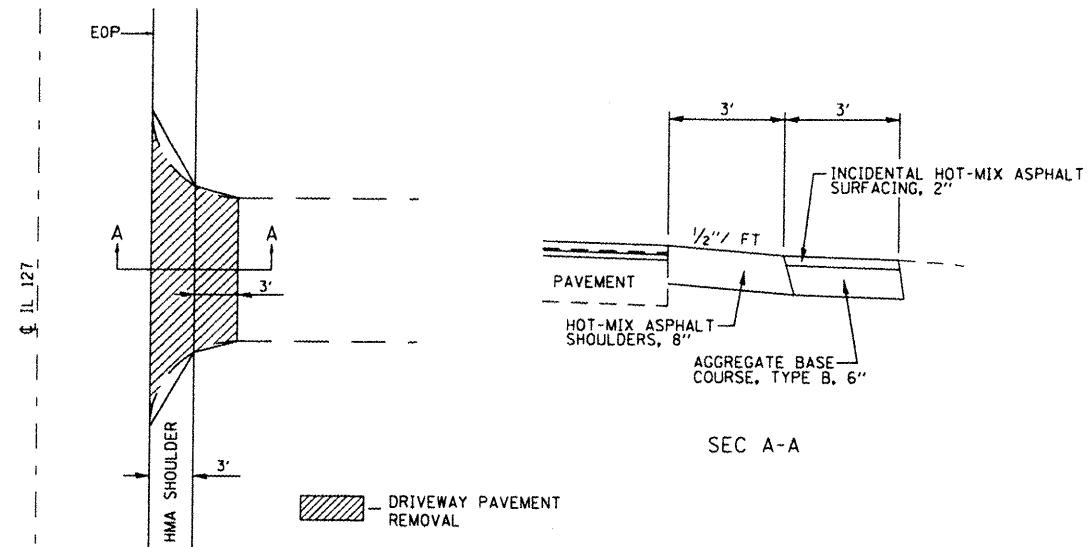
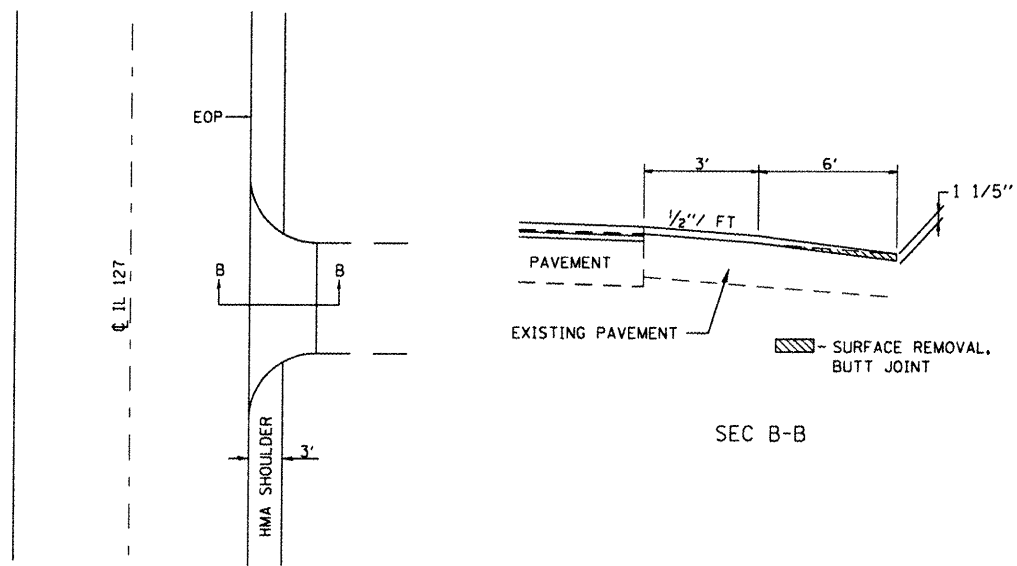


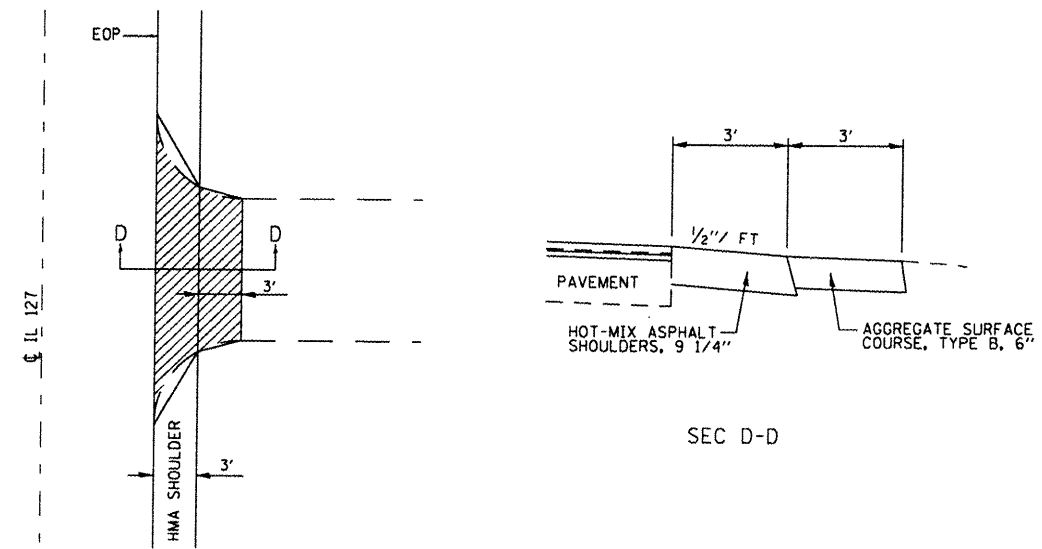
CONCRETE ENTRANCE DETAIL



HMA ENTRANCE DETAIL



SIDE ROAD DETAIL



AGGREGATE AND FIELD ENTRANCE DETAIL

FILE NAME :	USER NAME : *USER*	DESIGNED -	REVISD -
#FILE#		DRAWN -	REVISD -
	PLOT SCALE : *SCALE*	CHECKED -	REVISD -
	PLOT DATE : *DATE*	DATE -	REVISD -

STATE OF ILLINOIS
DEPARTMENT OF TRANSPORTATION

ENTRANCE AND
SIDE ROAD DETAILS

F.A.P. RTE.	SECTION	COUNTY	TOTAL SHEETS	SHEET NO.
42	030.11RS-5	CLINTON	26	23
FED. ROAD DIST. NO. - ILLINOIS FED. AID PROJECT			CONTRACT NO. 76E11	

SCALE: _____ SHEET NO. ___ OF ___ SHEETS STA. _____ TO STA. _____