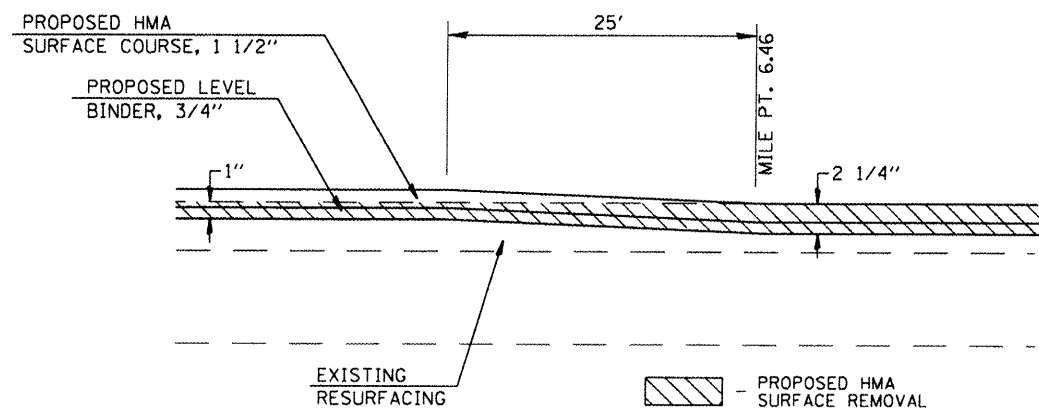
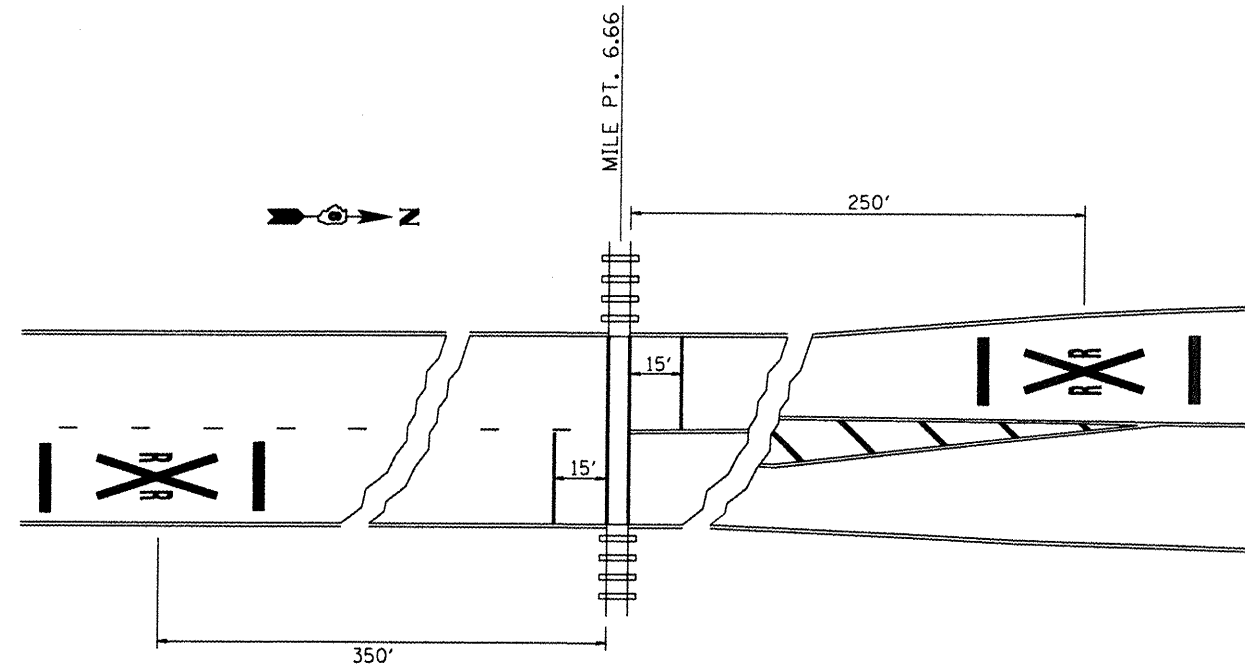


RESURFACING TRANSITION AT BRIDGES,  
AND BEGINING OF RESURFACING



RESURFACING TRANSITION



RAILROAD CROSSING  
PAVEMENT MARKING

FILE NAME : *FILEL*	USER NAME : *USER*	DESIGNED -	REVISED -
		DRAWN -	REVISED -
	PLOT SCALE : *SCALE*	CHECKED -	REVISED -
	PLOT DATE : *DATE*	DATE -	REVISED -

STATE OF ILLINOIS  
DEPARTMENT OF TRANSPORTATION

DETAILS

SCALE: SHEET NO. OF SHEETS STA. TO STA.

F.A.P. RTE.	SECTION	COUNTY	TOTAL SHEETS	SHEET NO.
42	(130,11RS-5)	CLINTON	26	24
FED. ROAD DIST. NO. ILLINOIS FED. AID PROJECT			CONTRACT NO. 76E11	