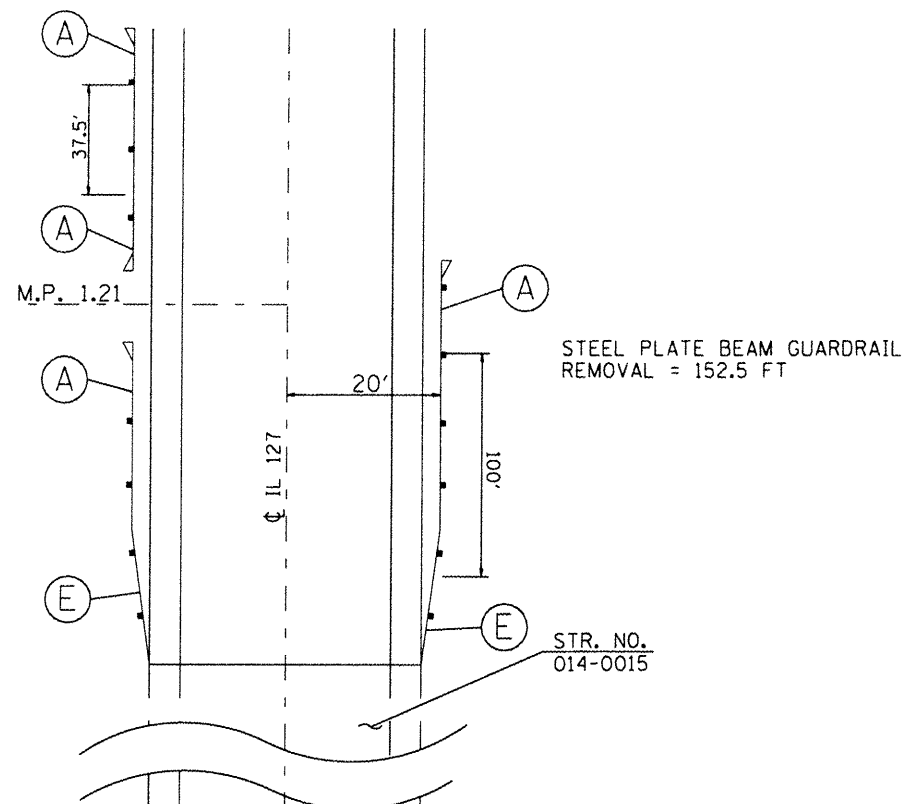




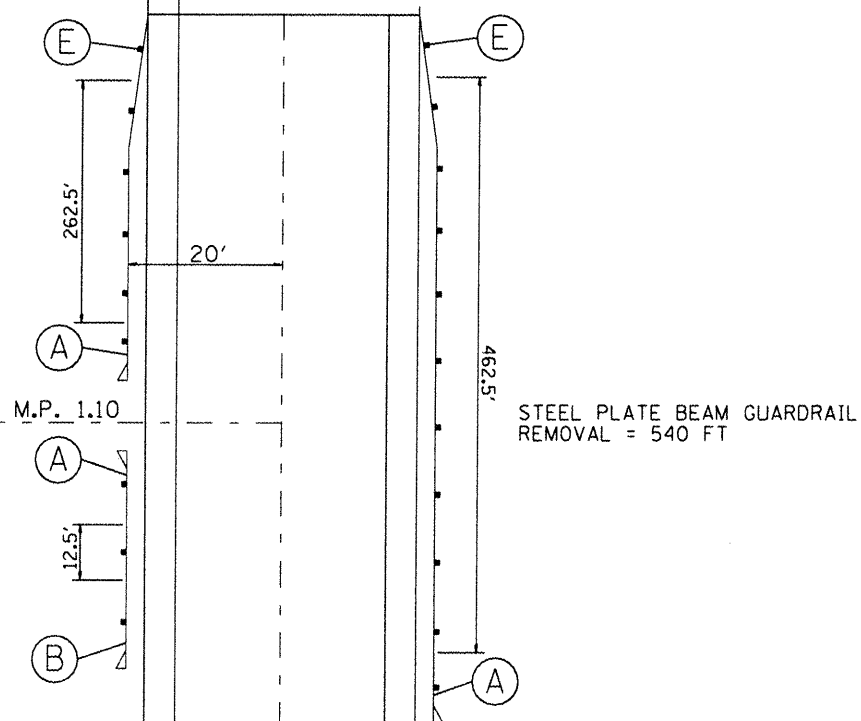
STEEL PLATE BEAM GUARDRAIL  
REMOVAL = 190 FT



STEEL PLATE BEAM GUARDRAIL  
REMOVAL = 152.5 FT

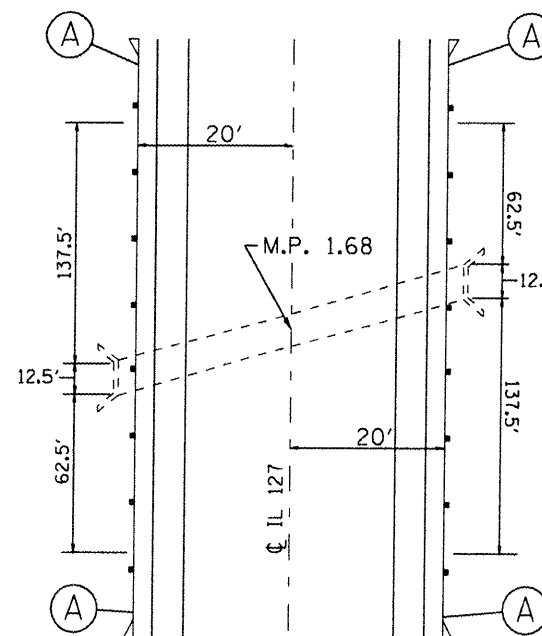
STR. NO.  
014-0015

STEEL PLATE BEAM GUARDRAIL  
REMOVAL = 477.5 FT



STEEL PLATE BEAM GUARDRAIL  
REMOVAL = 540 FT

STEEL PLATE BEAM GUARDRAIL  
REMOVAL = 337.5 FT



STEEL PLATE BEAM GUARDRAIL  
REMOVAL = 337.5 FT

- (A) TRAFFIC BARRIER TERMINAL, TYPE 1 (SPECIAL) TANGENT
- (B) TRAFFIC BARRIER TERMINAL, TYPE 1 (SPECIAL) FLARED
- (C) TRAFFIC BARRIER TERMINAL, TYPE 1B
- (D) TRAFFIC BARRIER TERMINAL, TYPE 2
- (E) TRAFFIC BARRIER TERMINAL, TYPE 6
- (F) TRAFFIC BARRIER TERMINAL, TYPE 6A

NOT TO SCALE

FILE NAME : #FILE#	USER NAME : #USER#	DESIGNED - DRAWN -	REVISED - REVISED -	<b>STATE OF ILLINOIS DEPARTMENT OF TRANSPORTATION</b>	<b>GUARDRAIL DETAILS (PLAN VIEW)</b>		F.A.P. RTE. 42	SECTION (130,1)RS-5	COUNTY CLINTON	TOTAL SHEETS 26	SHEET NO. 25	
	PLOT SCALE : #SCALE#	CHECKED -	REVISED -		SCALE: _____	SHEET NO. _____ OF _____ SHEETS	STA. _____ TO STA. _____	CONTRACT NO. 76E11				
	PLOT DATE : #DATE#	DATE -	REVISED -		FED. ROAD DIST. NO. ILLINOIS FED. AID PROJECT							