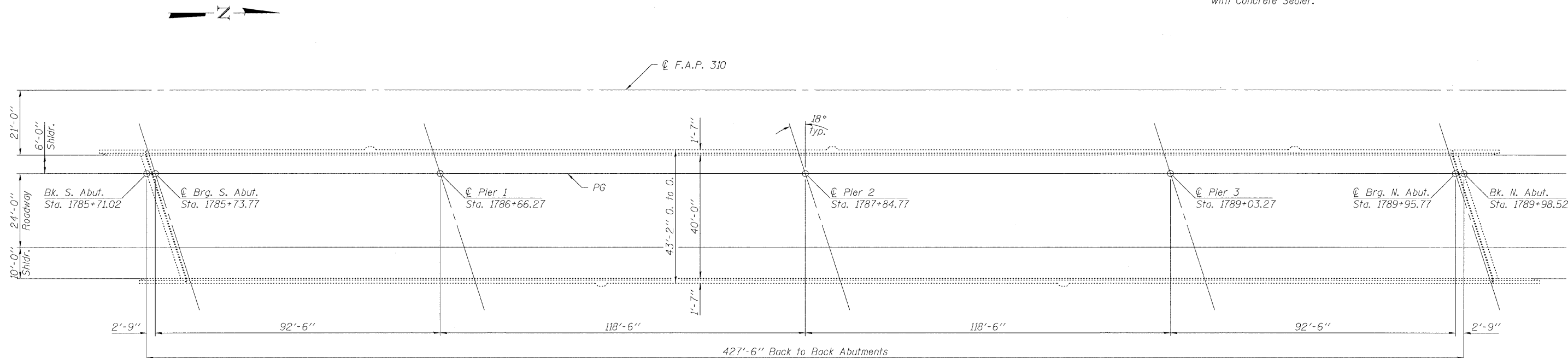


STATE OF ILLINOIS
DEPARTMENT OF TRANSPORTATION

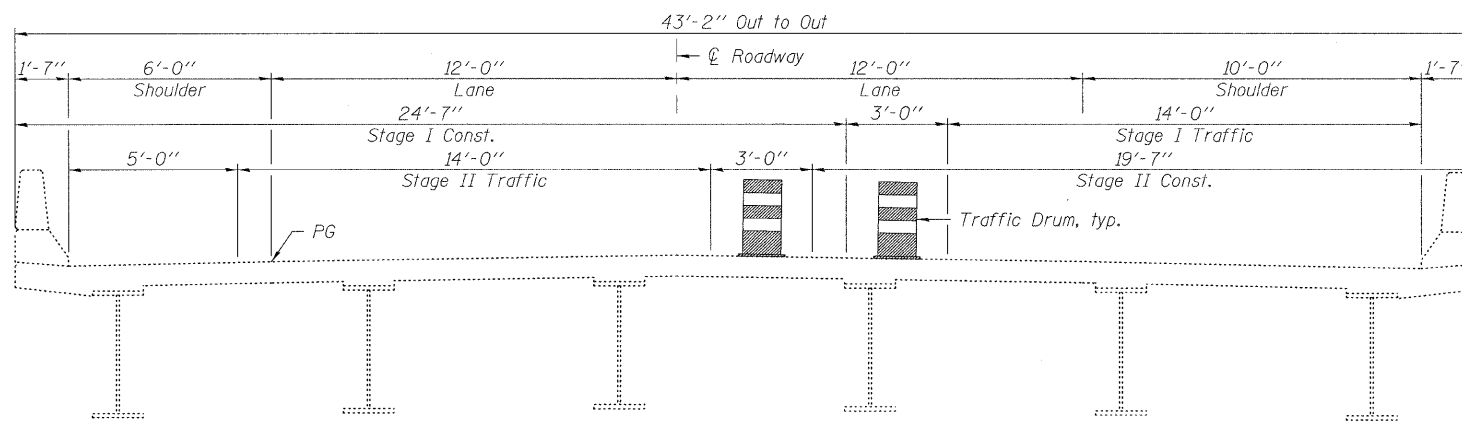
GENERAL NOTES

A Concrete Sealer shall be applied to the surfaces of the deck and parapets. See Special Provisions for Bridge Deck Concrete Sealer.

Existing pavement markings shall be temporarily covered prior to application of the deck surface treatment, to prevent the material from being applied over the markings. The temporary covering shall be removed after the application of the deck surface treatment and prior to opening to traffic. Cost included with Concrete Sealer.



PLAN



CROSS SECTION

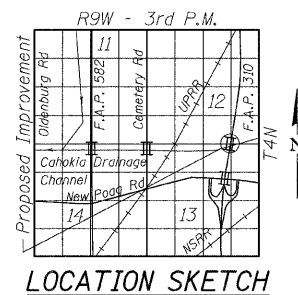
(Looking North)

TOTAL BILL OF MATERIAL

ITEM	UNIT	SUPER	SUB	TOTAL
Concrete Sealer	Sq. Ft.	20,350		20,350

GENERAL PLAN
ILLINOIS ROUTE 255 OVER
CAHOKIA DIVERSION CHANNEL
F.A.P. RTE. 310
SEC. DIST. 8 BRIDGE DECK 2011-2
MADISON COUNTY
STATION 1787+76.00
STRUCTURE NO. 060-0278 (N.B.)

DESIGNED	---
CHECKED	---
DRAWN	KAK
CHECKED	EML



LOCATION SKETCH

HORNER & SHIFRIN, INC.
ENGINEERS

SHEET NO. 1 1 SHEETS	F.A.P. RTE. 310	SECTION DIST 8 BRIDGE DECK 2011-2	COUNTY MADISON	TOTAL SHEETS 29	SHEET NO. 12
	CONTRACT NO. 76E42				
ILLINOIS FED. AID PROJECT					