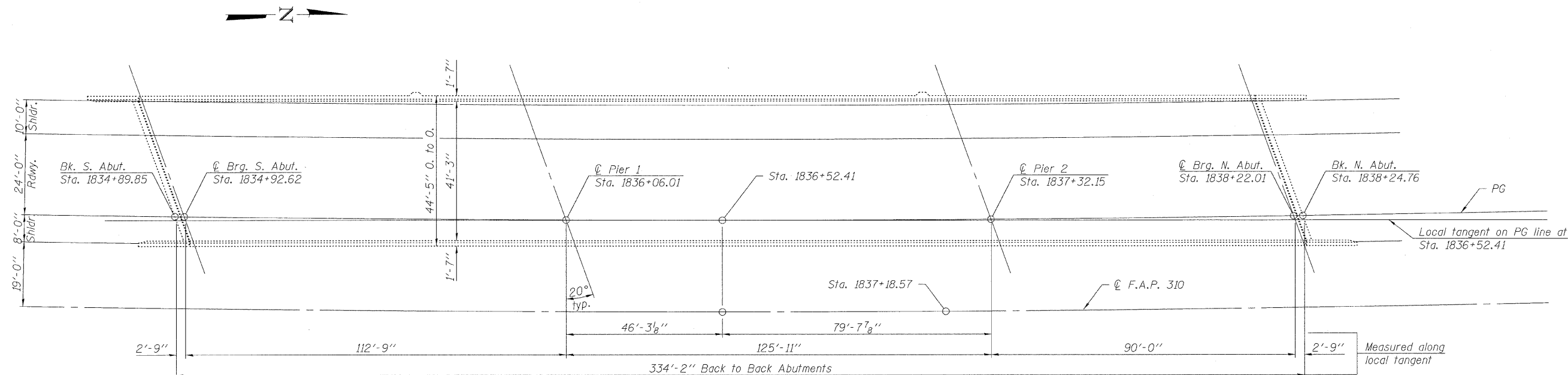


STATE OF ILLINOIS
DEPARTMENT OF TRANSPORTATION

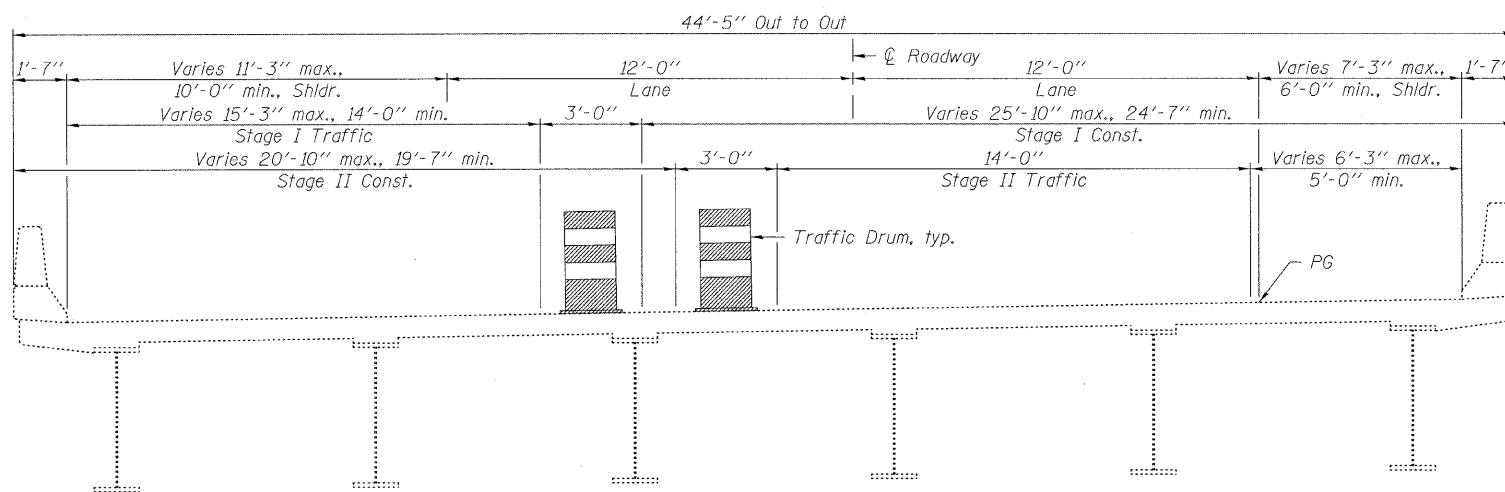
GENERAL NOTES

A Concrete Sealer shall be applied to the surfaces of the deck and parapets. See Special Provisions for Bridge Deck Concrete Sealer.

Existing pavement markings shall be temporarily covered prior to application of the deck surface treatment, to prevent the material from being applied over the markings. The temporary covering shall be removed after the application of the deck surface treatment and prior to opening to traffic. Cost included with Concrete Sealer.



PLAN

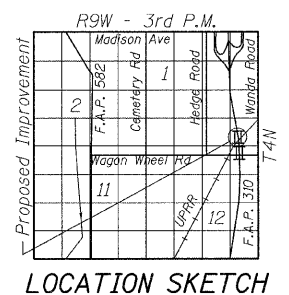


CROSS SECTION
(Looking North)

TOTAL BILL OF MATERIAL

ITEM	UNIT	SUPER	SUB	TOTAL
Concrete Sealer	Sq. Ft.	16,344		16,344

DESIGNED	---
CHECKED	---
DRAWN	EML
CHECKED	KAK



LOCATION SKETCH

HORNER & SHIFRIN, INC.
ENGINEERS

GENERAL PLAN
ILLINOIS ROUTE 255 OVER UPRR
F.A.P. RTE. 310
SEC. DIST. 8 BRIDGE DECK 2011-2
MADISON COUNTY
STATION 1837+18.57
STRUCTURE NO. 060-0281 (S.B.)

SHEET NO. 1 1 SHEETS	F.A.P. RTE. 310	SECTION DIST 8 BRIDGE DECK 2011-2	COUNTY MADISON	TOTAL SHEETS 29	SHEET NO. 15
	CONTRACT NO. 76E42 ILLINOIS FED. AID PROJECT				